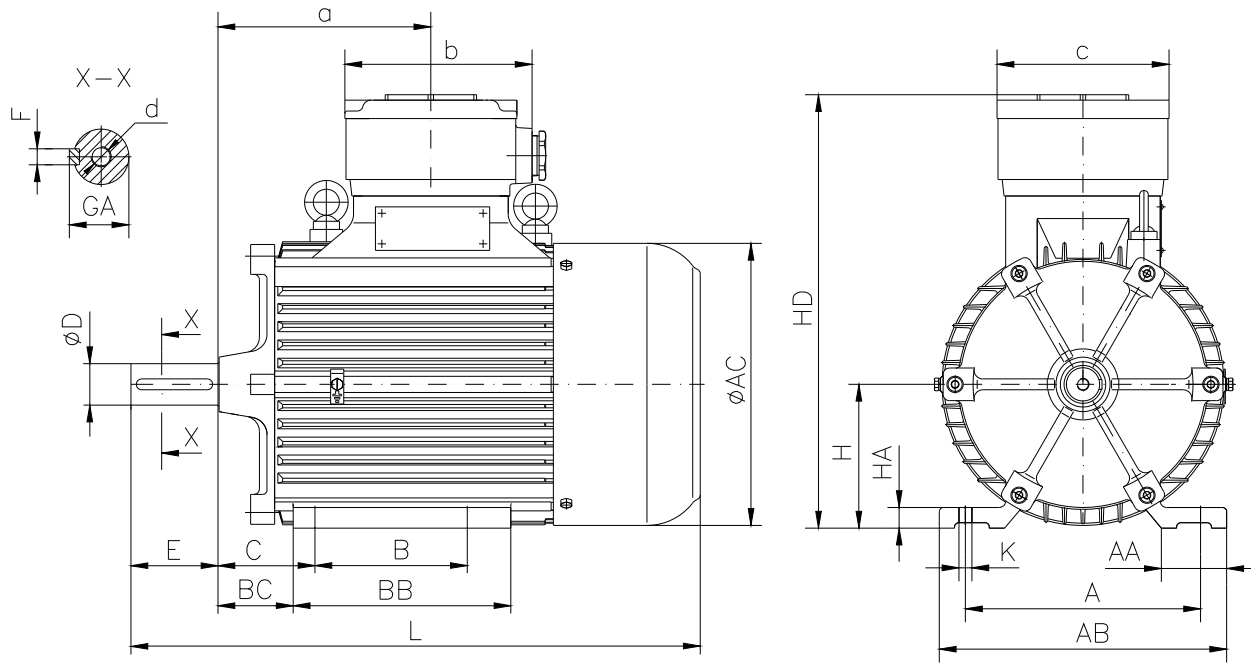


**DATA SHEET**

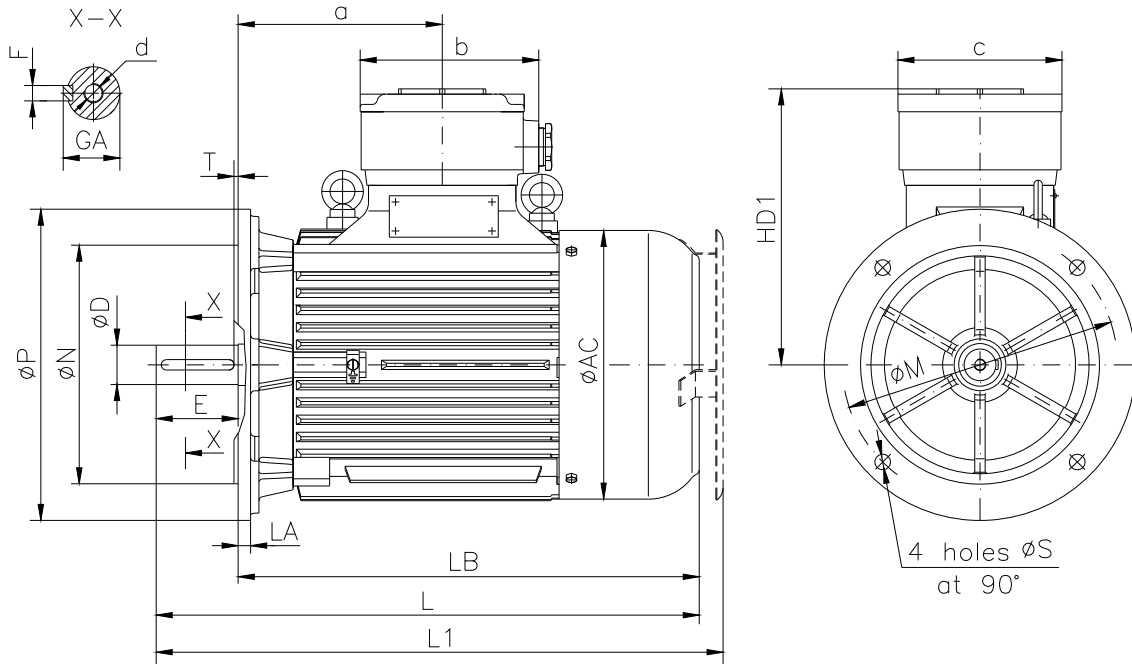
|                                    |   |
|------------------------------------|---|
| ○ Type.....                        | ASA 200L-4  |
| ○ Reference standard.....          | IEC 60034-1<br>EN 60079-0<br>EN 60079-1<br>EN 60079-7 |
| ○ Rated output.....                | 30 kW   |
| ○ Rated stator voltage.....        | 400 V   |
| ○ Rated frequency.....             | 50 Hz   |
| ○ Stator current at 100% load..... | 54.4 A  |
| ○ Number of poles.....             | 4   |
| ○ Rated speed.....                 | 1476 rev/min  |
| ○ Efficiency at 100% load.....     | 91.5%   |
| ○ Power factor at 100% load.....   | 0.87  |
| ○ Break-down torque.....           | 2.6 x Mn  |
| ○ Locked rotor torque.....         | 2 x Mn  |
| ○ Locked rotor current.....        | 7 x In  |
| ○ Rotor inertia.....               | 0.254287 kgm <sup>2</sup>                             |
| ○ Insulation class.....            | F   |
| ○ Direction of rotation.....       | Both(CW&CCW)  |
| ○ Protection degree.....           | ≥IP55   |
| ○ Mounting.....                    | IM  |
| ○ Cooling method.....              | IC 411  |
| ○ Max. ambient temperature.....    | +40°C   |
| ○ Altitude.....                    | 1000m   |
| ○ Bearing type.....                | 6312 2Z drive end<br>6312 2Z non drive end            |
| ○ Weight.....                      | 294 Kg  |
| ○ Outline drawing.....             | Page 2  |
| ○ Thermal winding protection.....  | 3xPTC   |
| ○ Vibration level.....             | A(acc.IEC 60034-14)                                   |
| ○ Noise level .....                | acc.IEC 60034-9                                       |
| ○ Cable entries.....               | 2xM50x1.5   |
| ○ Additional cable entries.....    | 1xM20x1.5   |
| ○ Climate execution .....          | N   |

**The overall and mounting dimensions  
IM 1001**



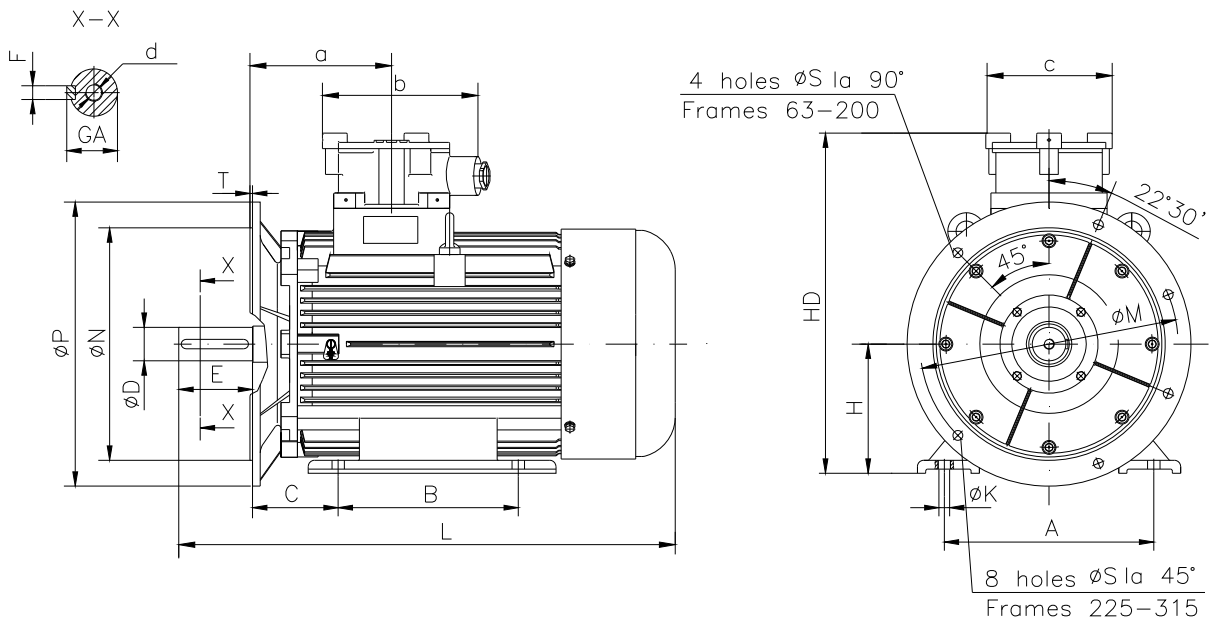
| Frame size | Dimensions (mm) |     |     |                  |      |    |     |     |    |    |                 |     |      |    |     |     |     |     |     |     |     |
|------------|-----------------|-----|-----|------------------|------|----|-----|-----|----|----|-----------------|-----|------|----|-----|-----|-----|-----|-----|-----|-----|
|            | Foot mounting   |     |     |                  |      |    |     |     |    |    | Shaft extension |     |      |    |     |     | HD  | AC  | L   | a   | b   |
| 200 L-4    | A               | B   | C   | H <sub>0,5</sub> | K    | AA | AB  | BB  | BC | HA | D               | E   | F    | GA | d   |     |     |     |     |     |     |
|            | 318             | 305 | 133 | 200              | 18.5 | 82 | 400 | 380 | 95 | 25 | 55m6            | 110 | 16h9 | 59 | M20 | 580 | 396 | 805 | 310 | 275 | 240 |

**The overall and mounting dimensions  
IM 3001; IM 3011**



| Frame size | Dimensions (mm)      |     |     |      |   |                 |     |      |    |     |     |     |    |     |     |     |     |     |     |
|------------|----------------------|-----|-----|------|---|-----------------|-----|------|----|-----|-----|-----|----|-----|-----|-----|-----|-----|-----|
|            | Flange mounting (B5) |     |     |      |   | Shaft extension |     |      |    |     | HD1 | AC  | LA | LB  | L   | L1  | a   | b   | c   |
| N          | M                    | P   | S   | T    | D | E               | F   | GA   | d  |     |     |     |    |     |     |     |     |     |     |
| 200<br>L-4 | 300j6                | 350 | 400 | 18.5 | 5 | 55m6            | 110 | 16h9 | 59 | M20 | 383 | 396 | 16 | 693 | 805 | 849 | 310 | 275 | 240 |

**The overall and mounting dimensions  
IM 2001**



| Frame size | Dimensions (mm) |     |     |                  |      |                 |     |     |      |   |                 |     |      |    |     |     |     |     |     |     |     |
|------------|-----------------|-----|-----|------------------|------|-----------------|-----|-----|------|---|-----------------|-----|------|----|-----|-----|-----|-----|-----|-----|-----|
|            | Foot mounting   |     |     |                  |      | Flange mounting |     |     |      |   | Shaft extension |     |      |    |     | HD  | L   | L1  | a   | b   | c   |
| 200<br>L-4 | A               | B   | C   | H <sub>0,5</sub> | K    | N               | M   | P   | S    | T | D               | E   | F    | GA | d   |     |     |     |     |     |     |
|            | 318             | 305 | 133 | 200              | 18.5 | 300j6           | 350 | 400 | 18.5 | 5 | 55m6            | 110 | 16h9 | 59 | M20 | 580 | 805 | 849 | 310 | 275 | 240 |