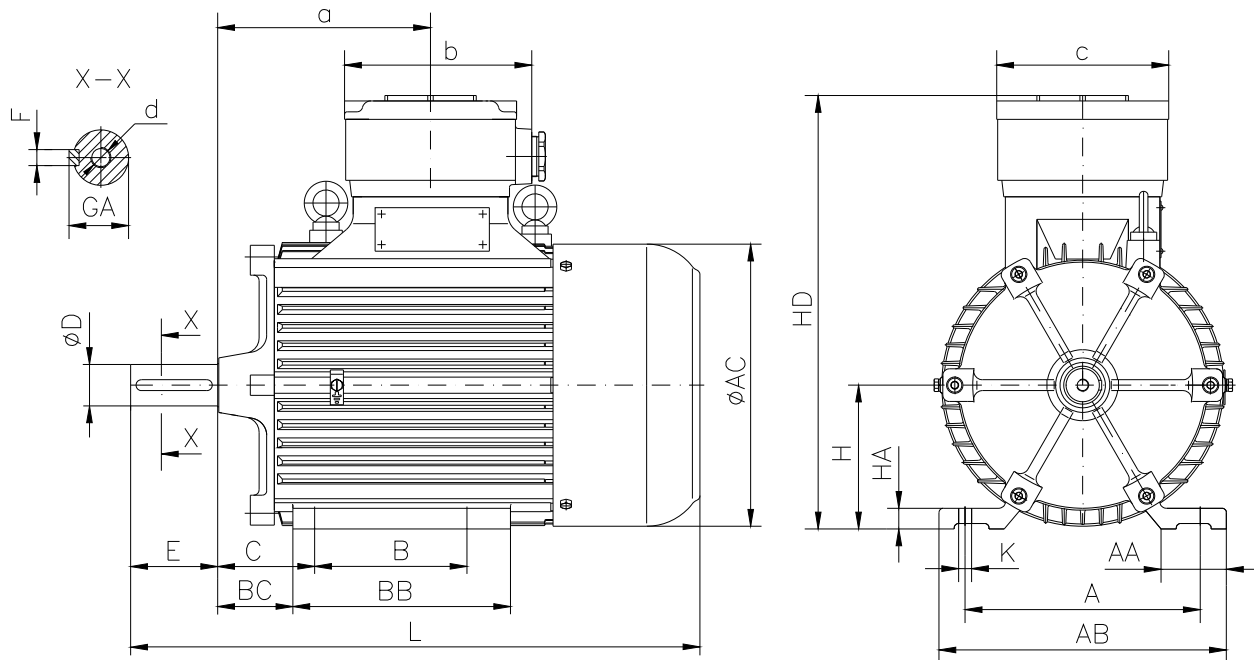


**DATA SHEET**

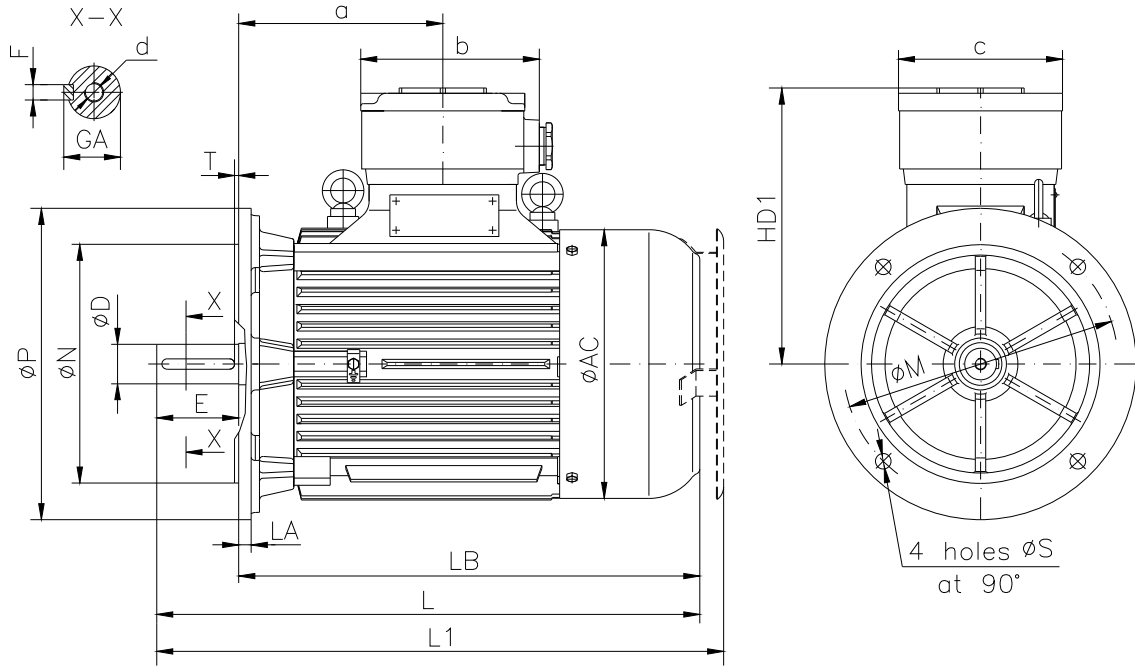
|                                    |   |
|------------------------------------|---|
| ○ Type.....                        | ASA 180L-6  |
| ○ Reference standard.....          | IEC 60034-1<br>EN 60079-0<br>EN 60079-1<br>EN 60079-7 |
| ○ Rated output.....                | 15 kW   |
| ○ Rated stator voltage.....        | 400 V   |
| ○ Stator current at 100% load..... | 30.4 [A]  |
| ○ Number of poles.....             | 6   |
| ○ Rated speed.....                 | 969 rev/min   |
| ○ Rated frequency.....             | 50 Hz   |
| ○ Efficiency at 100% load.....     | 89%   |
| ○ Power factor at 100% load.....   | 0.8   |
| ○ Break-down torque.....           | 2 x Mn  |
| ○ Locked rotor torque.....         | 1.8 x Mn  |
| ○ Locked rotor current.....        | 6.5 x In  |
| ○ Rotor inertia.....               | 0.251523 kgm <sup>2</sup>                             |
| ○ Insulation class.....            | F   |
| ○ Direction of rotation.....       | Both(CW&CCW)  |
| ○ Protection degree.....           | ≥IP55   |
| ○ Mounting.....                    | IM  |
| ○ Cooling method.....              | IC 411  |
| ○ Max. ambient temperature .....   | + 40°C  |
| ○ Altitude.....                    | 1000m   |
| ○ Bearing type.....                | 6311 2Z drive end<br>6311 2Z non drive end            |
| ○ Weight.....                      | 225 Kg  |
| ○ Outline drawing.....             | Page 2  |
| ○ Vibration level : .....          | A (acc.IEC 60034-14 )                                 |
| ○ Noise level .....                | acc.IEC 60034-9                                       |
| ○ Cable entries.....               | 2xM40x1.5   |
| ○ Climate execution .....          | N   |

**The overall and mounting dimensions  
IM 1001**



| Frame size | Dimensions (mm) |     |     |                  |      |    |     |     |    |    |                 |     |      |      |     |     |     |     |     |     |     |
|------------|-----------------|-----|-----|------------------|------|----|-----|-----|----|----|-----------------|-----|------|------|-----|-----|-----|-----|-----|-----|-----|
|            | Foot mounting   |     |     |                  |      |    |     |     |    |    | Shaft extension |     |      |      |     |     | HD  | AC  | L   | a   | b   |
| 180<br>L-6 | A               | B   | C   | H <sub>0.5</sub> | K    | AA | AB  | BB  | BC | HA | D               | E   | F    | GA   | d   |     |     |     |     |     |     |
|            | 279             | 279 | 121 | 180              | 14.5 | 80 | 360 | 340 | 87 | 25 | 48k6            | 110 | 14h9 | 51.5 | M16 | 507 | 357 | 730 | 275 | 210 | 195 |

**The overall and mounting dimensions  
IM 3001; IM 3011**



| Frame size | Dimensions (mm)      |     |     |      |   |                 |     |      |      |     |     |     |    |     |     |     |     |     |     |
|------------|----------------------|-----|-----|------|---|-----------------|-----|------|------|-----|-----|-----|----|-----|-----|-----|-----|-----|-----|
|            | Flange mounting (B5) |     |     |      |   | Shaft extension |     |      |      |     | HD1 | AC  | LA | LB  | L   | L1  | a   | b   | c   |
| N          | M                    | P   | S   | T    | D | E               | F   | GA   | d    |     |     |     |    |     |     |     |     |     |     |
| 180<br>L-6 | 250j6                | 300 | 350 | 18.5 | 5 | 48k6            | 110 | 14h9 | 51.5 | M16 | 327 | 357 | 16 | 620 | 730 | 790 | 275 | 210 | 195 |

