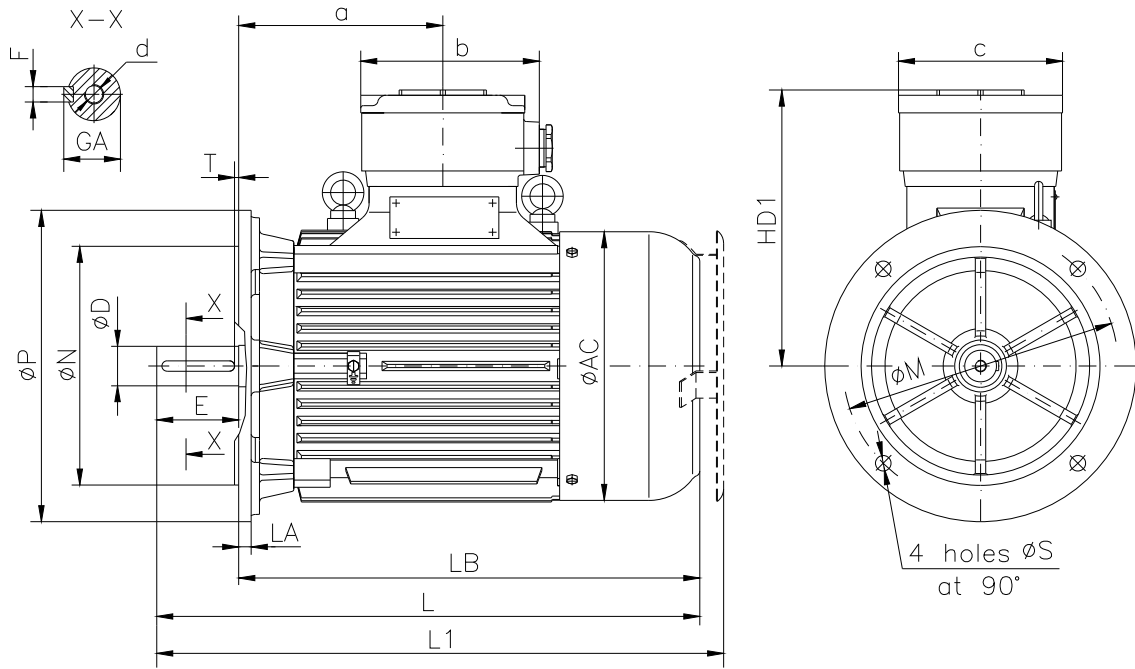


**DATA SHEET**

○ Type.....	ASA 180L-4
○ Reference standard.....	IEC 60034-1 EN 60079-0 EN 60079-1 EN 60079-7
○ Rated output.....	22 kW
○ Rated stator voltage.....	400 V
○ Stator current at 100% load.....	40.6 [A]
○ Number of poles.....	4
○ Rated speed.....	1465 rev/min
○ Rated frequency.....	50 Hz
○ Efficiency at 100% load.....	91%
○ Power factor at 100% load.....	0.86
○ Break-down torque.....	2.3 x Mn
○ Locked rotor torque.....	2 x Mn
○ Locked rotor current.....	6.2 x In
○ Rotor inertia.....	0.166755 kgm <sup>2</sup>
○ Insulation class.....	F
○ Direction of rotation.....	Both(CW&CCW)
○ Protection degree.....	≥IP55
○ Mounting.....	IM
○ Cooling method.....	IC 411
○ Max. ambient temperature .....	+ 40°C
○ Altitude.....	1000m
○ Bearing type.....	6311 2Z drive end 6311 2Z non drive end
○ Weight.....	216 Kg
○ Outline drawing.....	Page 2
○ Vibration level : .....	A (acc.IEC 60034-14 )
○ Noise level .....	acc.IEC 60034-9
○ Cable entries.....	2xM40x1.5
○ Climate execution .....	N



**The overall and mounting dimensions  
IM 3001; IM 3011**



Frame size	Dimensions (mm)																		
	Flange mounting (B5)					Shaft extension					HD1	AC	LA	LB	L	L1	a	b	c
N	M	P	S	T	D	E	F	GA	d										
180 L-4	250j6	300	350	18.5	5	48k6	110	14h9	51.5	M16	327	357	12	620	730	790	275	210	195

