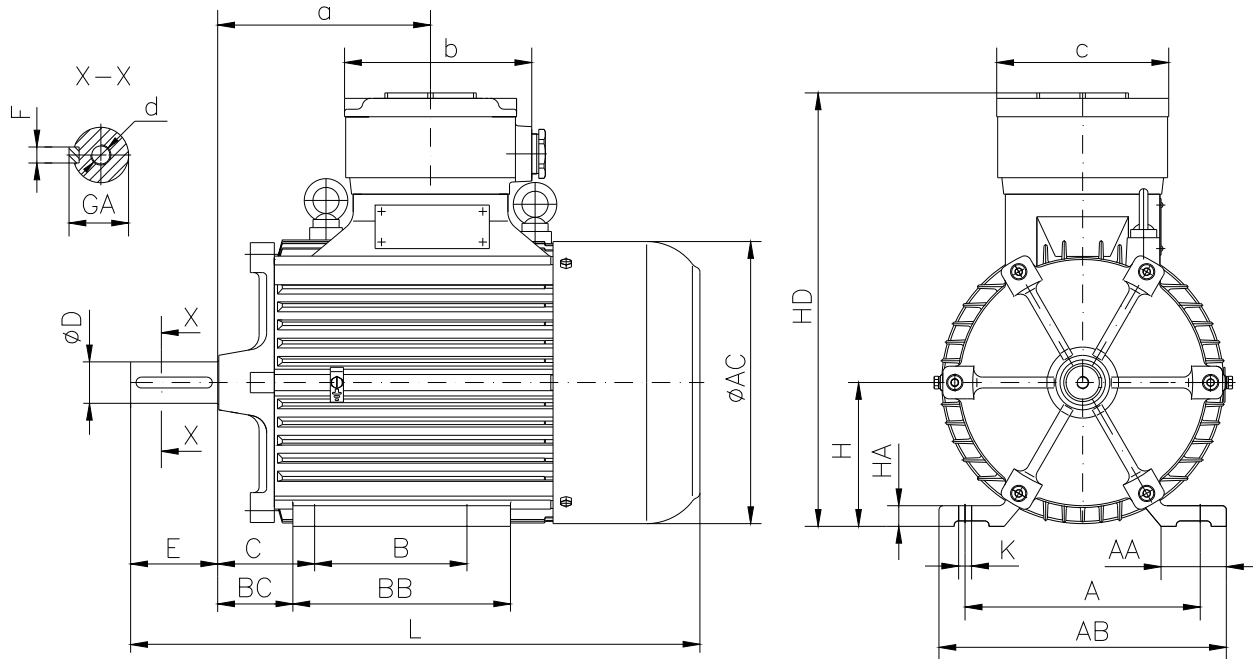


DATA SHEET

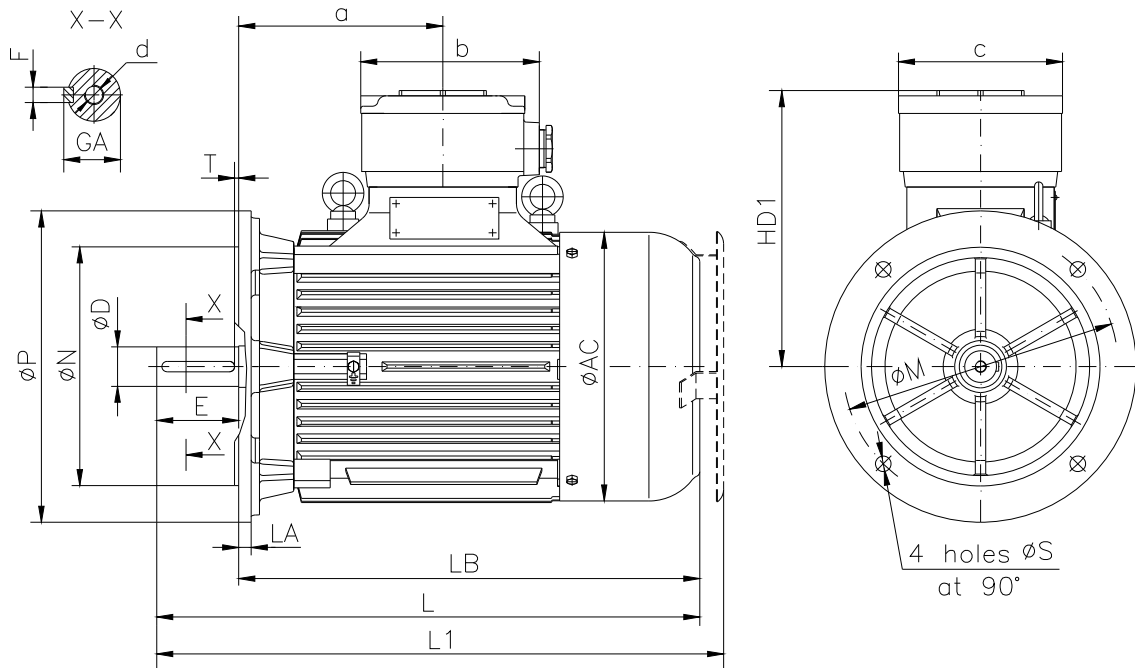
- Type.....ASA 160Mb-8
- Reference standard.....IEC 60034-1
EN 60079-0
EN 60079-1
EN 60079-7
- Rated output.....5.5 kW
- Rated stator voltage.....400 V
- Stator current at 100% load.....13.5 [A]
- Number of poles.....8
- Rated speed.....732 rev/min
- Rated frequency.....50 Hz
- Efficiency at 100% load.....84%
- Power factor at 100% load.....0.7
- Break-down torque.....2.2 x Mn
- Locked rotor torque.....2.1 x Mn
- Locked rotor current.....5.2 x In
- Rotor inertia.....0.132459 kgm²
- Insulation class.....F
- Direction of rotation.....Both(CW&CCW)
- Protection degree.....≥IP55
- Mounting.....IM
- Cooling method.....IC 411
- Max. ambient temperature+ 40°C
- Altitude.....1000m
- Bearing type.....6310 2Z drive end
6310 2Z non drive end
- Weight.....152 Kg
- Outline drawing.....Page 2
- Vibration level :.....A (acc.IEC 60034-14)
- Noise levelacc.IEC 60034-9
- Cable entries.....2xM40x1.5
- Climate executionN

**The overall and mounting dimensions
IM 1001**



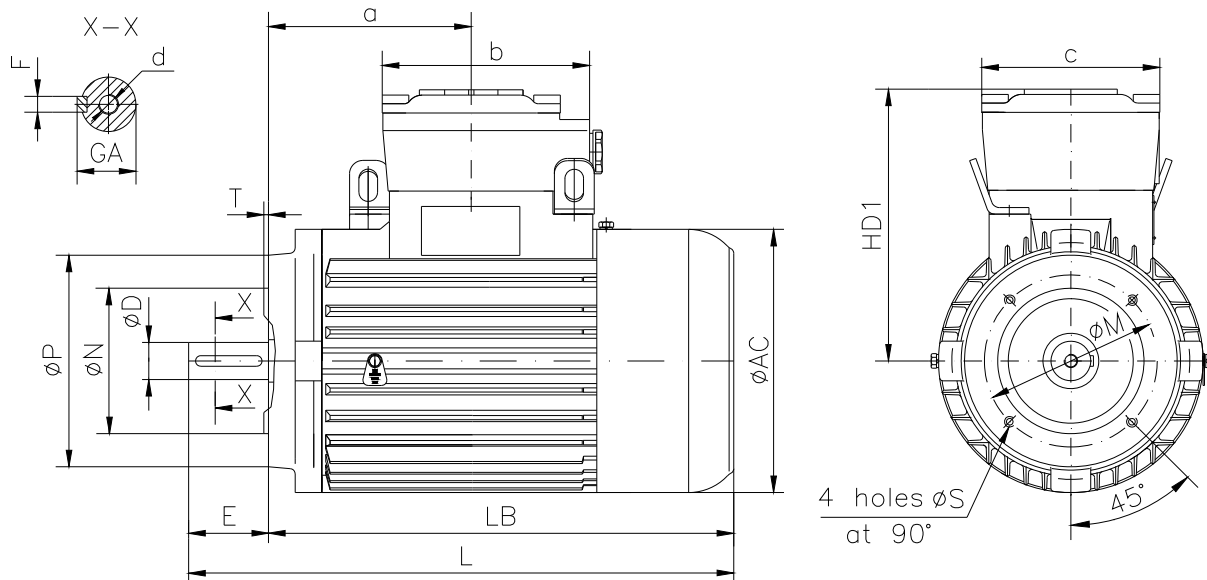
Frame size	Dimensions (mm)																				
	Foot mounting										Shaft extension						HD	AC	L	a	b
A	B	C	H _{0.5}	K	AA	AB	BB	BC	HA	D	E	F	GA	d							
160 Mb-8	254	210	108	160	14.5	80	320	300	80	20	42k6	110	12h9	45	M16	471	317	660	245	210	195

**The overall and mounting dimensions
IM 3001; IM 3011**



Frame size	Dimensions (mm)																		
	Flange mounting (B5)					Shaft extension					HD1	AC	LA	LB	L	L1	a	b	c
160 Mb-8	N	M	P	S	T	D	E	F	GA	d									
	250j6	300	350	18.5	5	42k6	110	12h9	45	M16	311	317	14	550	660	715	245	210	195

**The overall and mounting dimensions
IM 3601**



Frame size	Flange	Dimensions (mm)													
		Flange mounting (B14)					Shaft extension		HD1	AC	LB	L	a	b	c
		N	M	P	S	T	D	E							
160 Mb-8	F215	180j6	215	250	M12	4	42k6	110	311	317	550	660	245	210	195
	F265	230j6	265	300											

