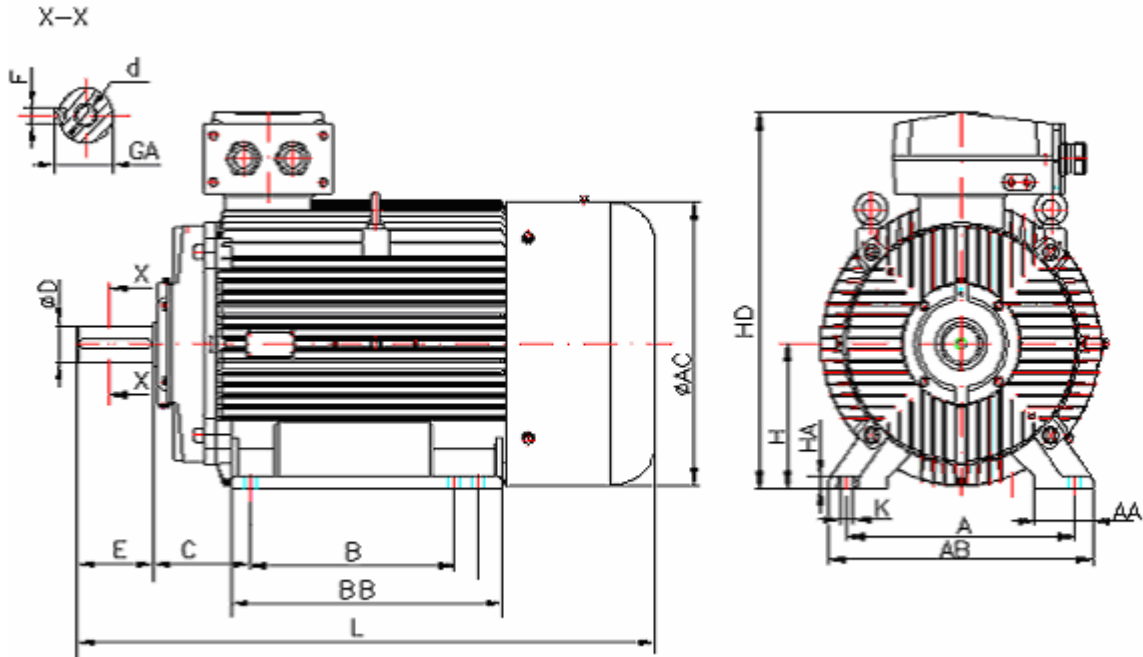


DATA SHEET

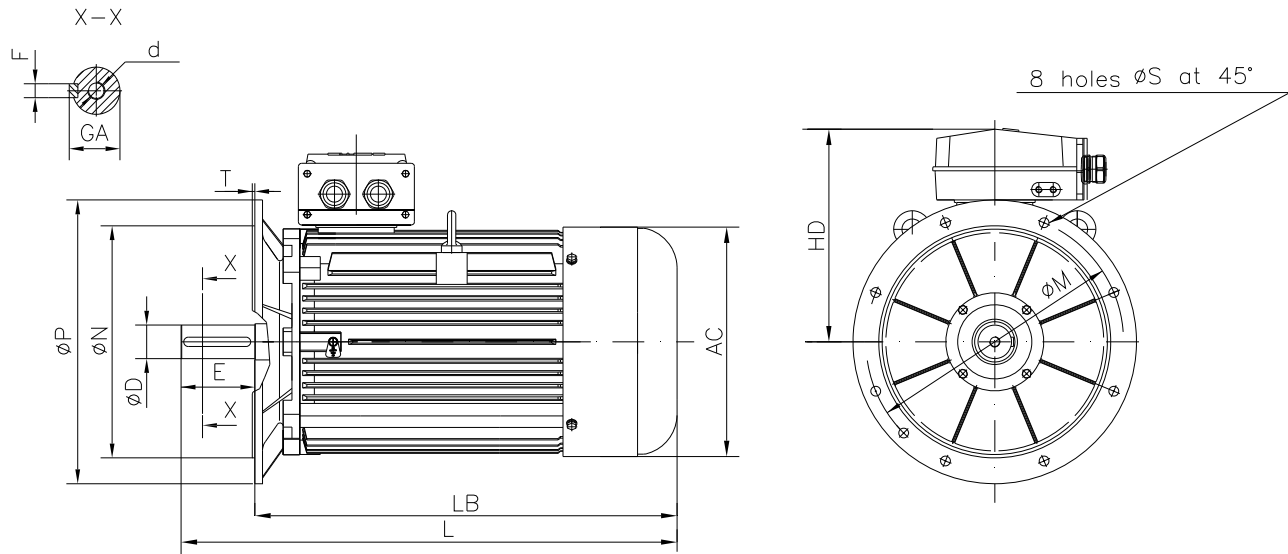
○ Type.....	E2-ASNA 225S-4
○ Reference standard.....	IEC 60034-1; 60034-30 60079-0; 60079-15
○ Rated output.....	37 kW
○ Rated stator voltage.....	400V
○ Rated frequency.....	50 Hz
○ Stator current at 100% load.....	66 A
○ Number of poles.....	4
○ Rated speed.....	1474 rev/min
○ Efficiency at 100%, 75%, 50% load.....	92.9%, 92.7%, 91.5%
○ Power factor at 100% load.....	0.87
○ Break-down torque.....	3.2 x Mn
○ Locked rotor torque.....	3.2 x Mn
○ Locked rotor current.....	7 x In
○ Rotor inertia.....	0.40778 kgm ²
○ Insulation class.....	F
○ Direction of rotation.....	Both(CW&CCW)
○ Protection degree.....	≥IP55
○ Mounting.....	IM
○ Cooling method.....	IC 411
○ Max. ambient temperature.....	+40°C
○ Altitude.....	1000m
○ Bearing type.....	6313 2Z drive end 6313 2Z non drive end
○ Weight.....	322Kg
○ Outline drawing.....	Page 2
○ Thermal winding protection.....	3xPTC
○ Vibration level.....	A(acc.IEC 60034-14)
○ Noise level.....	acc.IEC 60034-9
○ Cable entries.....	2xM50x1.5
○ Additional cable entries.....	1xM16x1.5
○ Climate execution	N

**The overall and mounting dimensions
IM 1001**



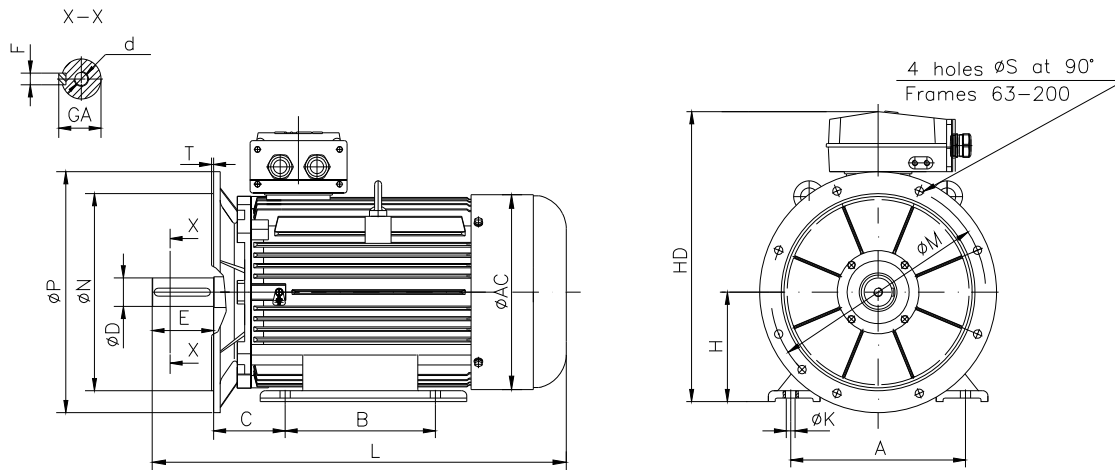
Frame size	Dimensions (mm)																
	Foot mounting									Shaft extension					HD max	AC	L max
A	B	C	H	K	AA	AB	BB	HA	D	E	F	GA	d				
225S-4	356	286	149	225	18.5	100	440	430	25	60m6	140	18h9	64	M20	635	446	1010

**The overall and mounting dimensions
IM 3001; IM 3011**



Frame size	Dimensions (mm)													
	Flange mounting (B5)					Shaft extension					HD max	AC	LB	L max
225S-4	N	M	P	S	T	D	E	F	GA	d				
	350j6	400	450	18.5	5	60m6	140	18h9	64	M20	410	446	866	1010

**The overall and mounting dimensions
IMB35**



Frame size	Dimensions (mm)																	
	Foot mounting					Flange mounting					Shaft extension					HD max	AC	L max
A	B	C	H _{-0,5}	K	N	M	P	S	T	D	E	F	GA	d				
225S-4	356	286	149	225	18.5	350	400	450	18.5	5	60m6	140	18h9	64	M20	635	446	1010