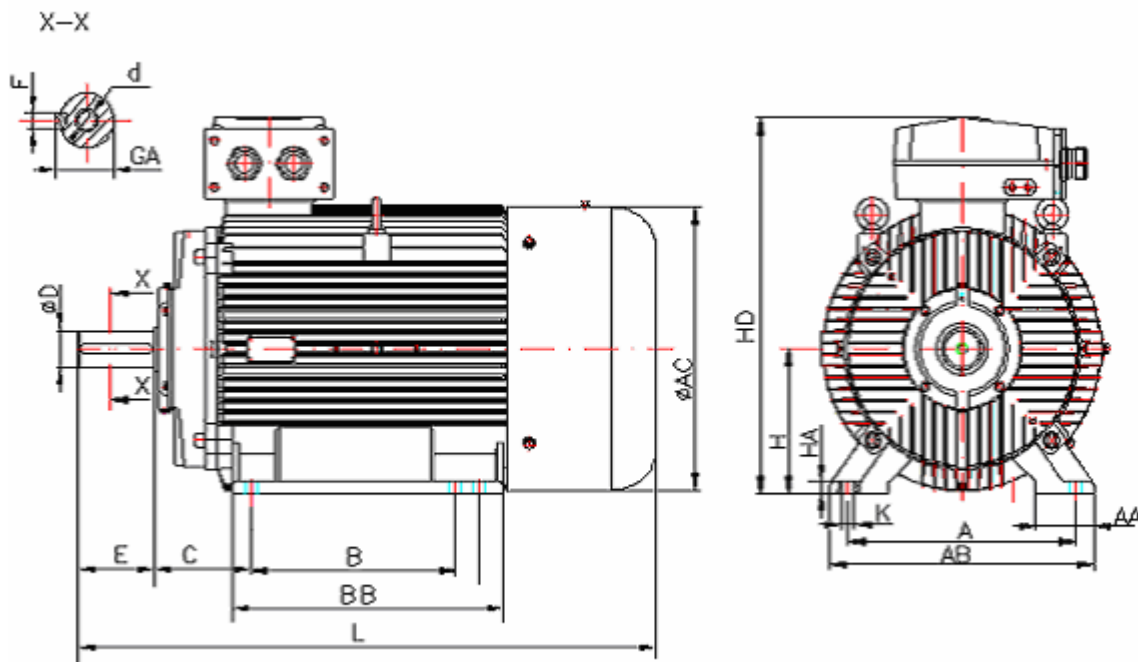


**DATA SHEET**

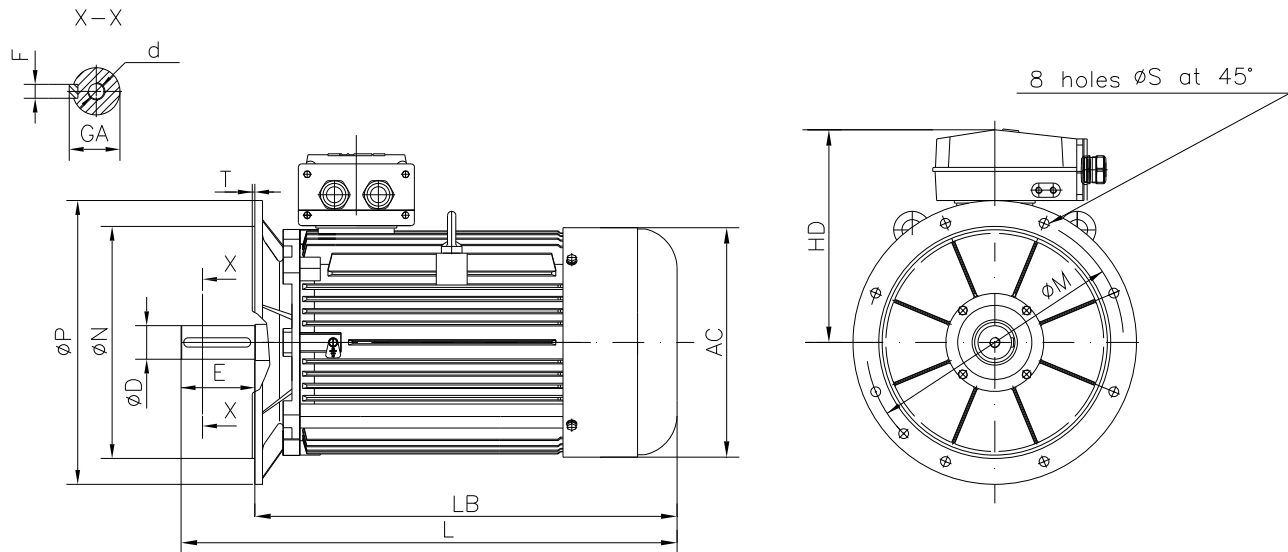
○ Type.....	E2-ASNA 225M-6
○ Reference standard.....	IEC 60034-1; 60034-30 60079-0; 60079-15
○ Rated output.....	30 kW
○ Rated stator voltage.....	400V
○ Rated frequency.....	50 Hz
○ Stator current at 100% load.....	54.2 A
○ Number of poles.....	6
○ Rated speed.....	982 rev/min
○ Efficiency at 100%, 75%. 50% load.....	93.2%, 93.5%, 92.6%
○ Power factor at 100% load.....	0.86
○ Break-down torque.....	2.6 x Mn
○ Locked rotor torque.....	2.2 x Mn
○ Locked rotor current.....	7.4 x In
○ Rotor inertia.....	0.68931 kgm <sup>2</sup>
○ Insulation class.....	F
○ Direction of rotation.....	Both(CW&CCW)
○ Protection degree.....	≥IP55
○ Mounting.....	IM
○ Cooling method.....	IC 411
○ Max. ambient temperature.....	+40°C
○ Altitude.....	1000m
○ Bearing type.....	6313 2Z drive end 6313 2Z non drive end
○ Weight.....	324 Kg
○ Outline drawing.....	Page 2
○ Thermal winding protection.....	3xPTC
○ Vibration level :.....	A(acc.IEC 60034-14)
○ Noise level .....	acc.IEC 60034-9
○ Cable entries.....	2xM50x1.5
○ Additional cable entries.....	1xM16x1.5
○ Climate execution .....	N

**The overall and mounting dimensions  
IM 1001**



Frame size	Dimensions (mm)																
	Foot mounting								Shaft extension						HD max	AC	L max
A	B	C	H	K	AA	AB	BB	HA	D	E	F	GA	d				
225M-6	356	311	149	225	18.5	100	450	430	25	60m6	140	18h9	64	M20	635	446	1010

**The overall and mounting dimensions  
IM 3001; IM 3011**



Frame size	Dimensions (mm)													
	Flange mounting (B5)					Shaft extension					HD max	AC	LB	L max
225M-6	N	M	P	S	T	D	E	F	GA	d				
	350j6	400	450	18.5	5	60m6	140	18h9	64	M20	410	446	866	1010

**The overall and mounting dimensions  
IMB35**



Frame size	Dimensions (mm)																HD max	AC	L max
	Foot mounting					Flange mounting					Shaft extension								
	A	B	C	H <sub>-0,5</sub>	K	N	M	P	S	T	D	E	F	GA	d				
225M-6	356	311	149	225	18.5	350	400	450	18.5	5	60m6	110	18h9	64	M20	635	446	1010	