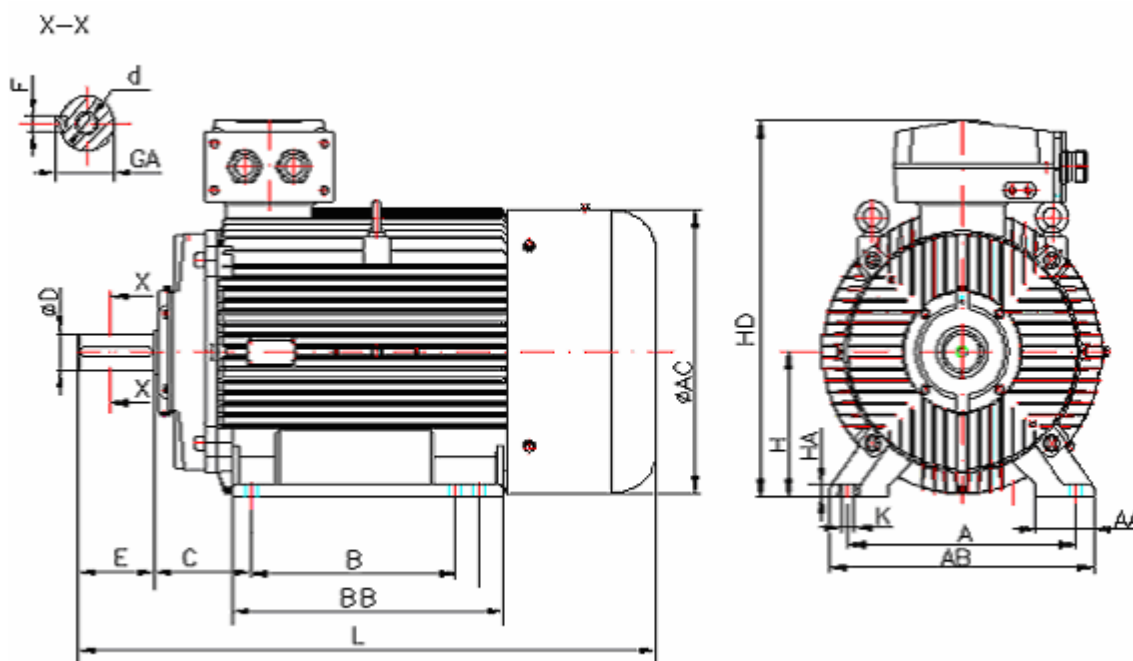


DATA SHEET

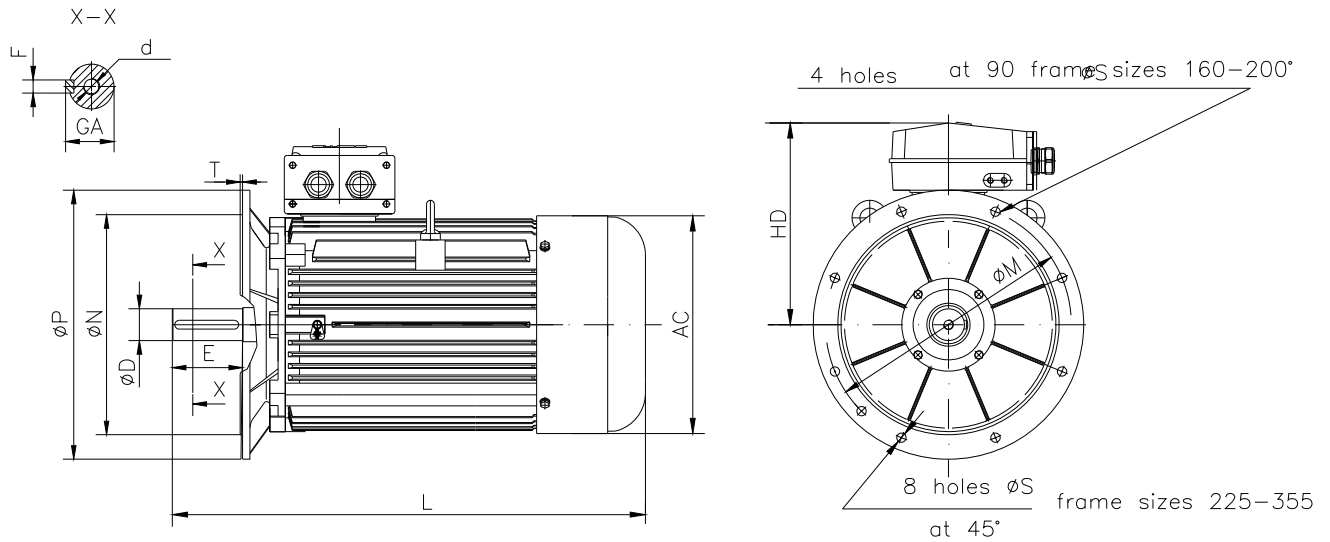
- Type.....ASNA 315S-8
- Reference standard..... IEC 60034-1
60079-0;
60079-15
- Rated output..... 55 kW
- Rated stator voltage.....400V
- Rated frequency.....50 Hz
- Stator current at 100% load.....106.39 A
- Number of poles.....8
- Rated speed.....730rev/min
- Efficiency at 100% load.....91%
- Power factor at 100% load.....0.82
- Break-down torque.....2 x Mn
- Locked rotor torque.....1.8 x Mn
- Locked rotor current.....6.5 x In
- Rotor inertia.....2.71489 kgm²
- Insulation class.....F
- Direction of rotation.....Both(CW&CCW)
- Protection degree.....≥IP55
- Mounting.....IM
- Cooling method.....IC 411
- Max. ambient temperature.....+40°C
- Altitude.....1000m
- Bearing type.....6317 drive end
6317 non drive end
- Lubrication..... regreasable bearings with UM 185 Li 3,
Shell Alvania R3, SKF LGTH3 or similar
- Relubricating interval.....10000[hrs] DE&NDE
- Correcting interval.....3500[hrs] drive end
- Grease quantity37g/bearing drive end
- Weight..... 544 kg
- Thermal winding protection.....3xPTC
- Outline drawing.....Page 2
- Vibration level.....A(acc.IEC 60034-14)
- Noise levelacc.IEC 60034-9
- Cable entries.....2xM63x1.5
- Additional cable entries.....1xM16x1.5
- Climate executionN

**The overall and mounting dimensions
IM 1001**



Frame size	Dimensions (mm)																
	Foot mounting									Shaft extension					HD max	AC	L max
A	B	C	H	K	AA	AB	BB	HA	D	E	F	GA	d				
315S-8	508	406	216	315	28	130	590	580	25	80m6	170	22h9	85	M20	819	554	1232

**The overall and mounting dimensions
IM 3001; IM 3011**



Frame size	Dimensions (mm)												
	Flange mounting (B5)					Shaft extension					HD max	AC	L max
N	M	P	S	T	D	E	F	GA	d				
315S-8	550	600	660	24	6	80m6	170	22h9	85	M20	504	554	1232

