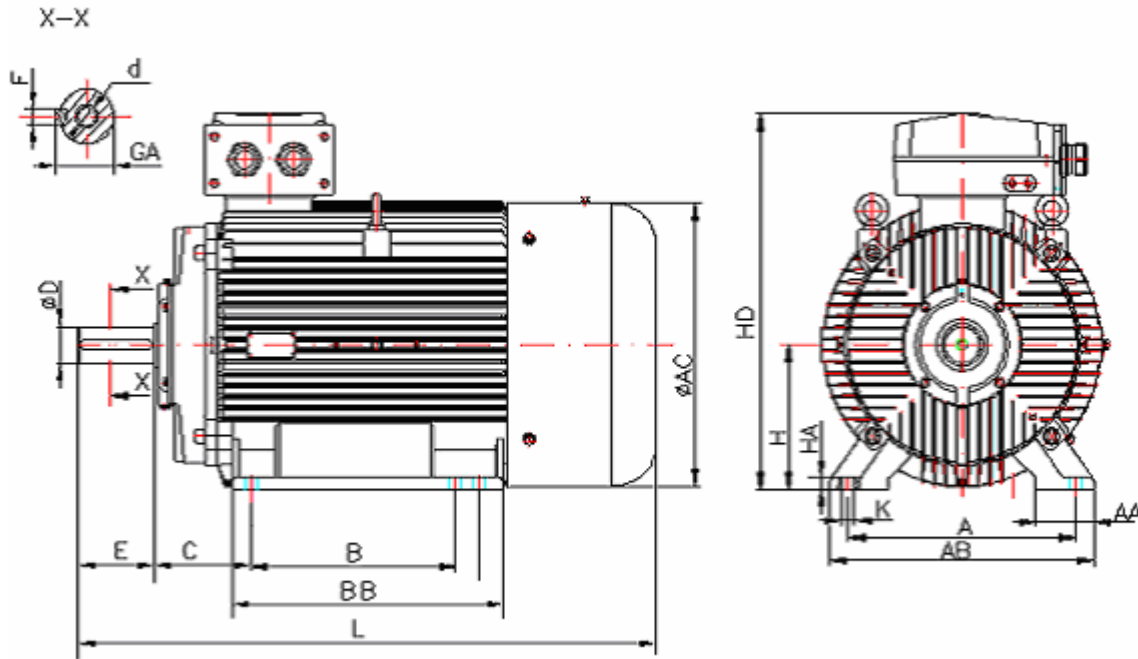


DATA SHEET

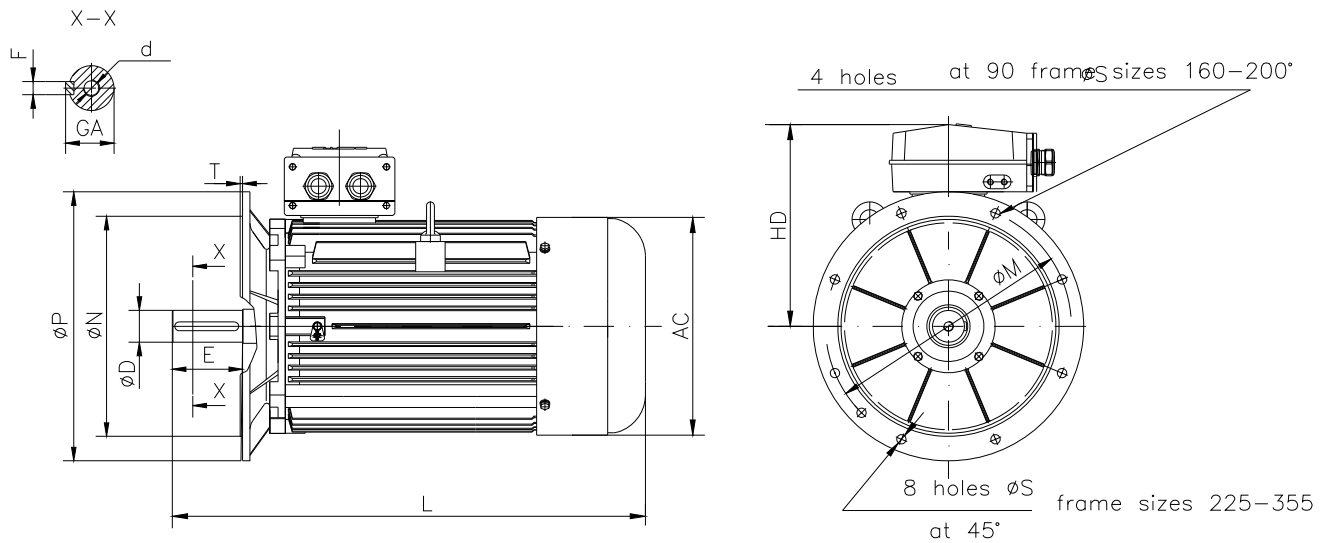
○ Type.....	ASNA 315S-4
○ Reference standard.....	IEC 60034-1 60079-0; 60079-15
○ Rated output.....	110 kW
○ Rated stator voltage.....	400V
○ Rated frequency.....	50 Hz
○ Stator current at 100% load.....	190 A
○ Number of poles.....	4
○ Rated speed.....	1470 rev/min
○ Efficiency at 100% load.....	93%
○ Power factor at 100% load.....	0.90
○ Break-down torque.....	2.2 x Mn
○ Locked rotor torque.....	2.1 x Mn
○ Locked rotor current.....	7.5 x In
○ Rotor inertia.....	1.64532 kgm ²
○ Insulation class.....	F
○ Direction of rotation.....	Both(CW&CCW)
○ Protection degree.....	≥IP55
○ Mounting.....	IM B3
○ Cooling method.....	IC 411
○ Max. ambient temperature.....	+40°C
○ Altitude.....	1000m
○ Bearing type.....	6317 drive end 6317 non drive end
○ Lubrication.....	regreasable bearings with UNIREX N2, Shell Alvania R3, SKF LGTH3 or similar
○ Relubricating interval.....	10000[hrs] DE&NDE
○ Correcting interval.....	3500[hrs] DE&NDE
○ Grease quantity	37g/bearing DE&NDE
○ Weight.....	544 Kg
○ Thermal winding protection.....	3xPTC
○ Outline drawing.....	Page 2
○ Vibration level :	A (acc.IEC 60034-14)
○ Noise level	acc.IEC 60034-9
○ Cable entries.....	2xM63x1.5
○ Additional cable entries.....	1xM16x1.5
○ Climate execution	Normal
○ Preliminary values.....	calculation

**The overall and mounting dimensions
IM 1001**



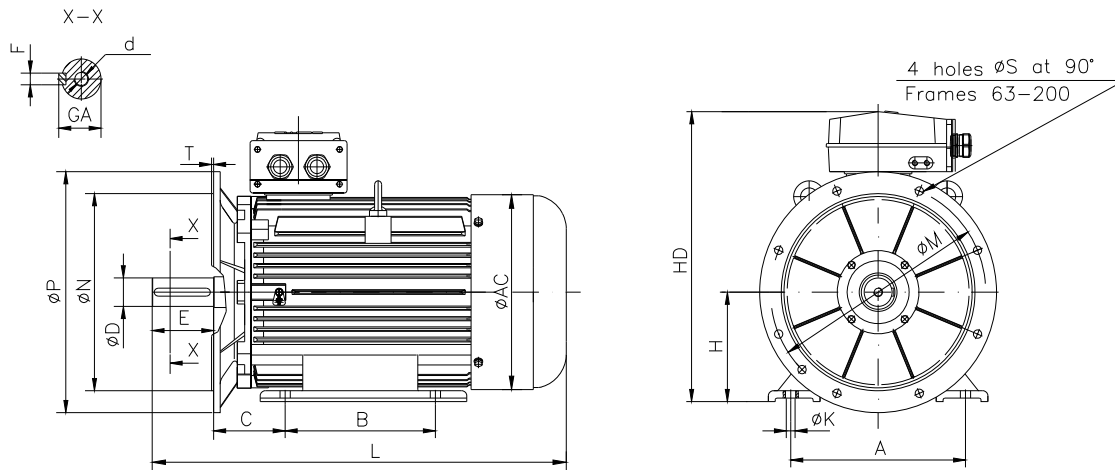
Frame size	Dimensions (mm)																
	Foot mounting									Shaft extension					HD max	AC	L max
A	B	C	H	K	AA	AB	BB	HA	D	E	F	GA	d				
315S-4	508	406	216	315	28	130	590	580	25	80m6	170	22h9	85	M20	819	554	1232

**The overall and mounting dimensions
IM 3001; IM 3011**



Frame size	Dimensions (mm)												
	Flange mounting (B5)					Shaft extension					HD max	AC	L max
N	M	P	S	T	D	E	F	GA	d				
315S-4	550	600	660	24	6	80m6	170	22h9	85	M20	504	554	1232

**The overall and mounting dimensions
IMB35**



Frame size	Dimensions (mm)																	
	Foot mounting					Flange mounting					Shaft extension					HD max	AC	L max
A	B	C	H _{0.5}	K	N	M	P	S	T	D	E	F	GA	d				
315S-4	508	406	216	315	28	550	600	660	24	6	80m6	170	22h9	85	M20	819	554	1232