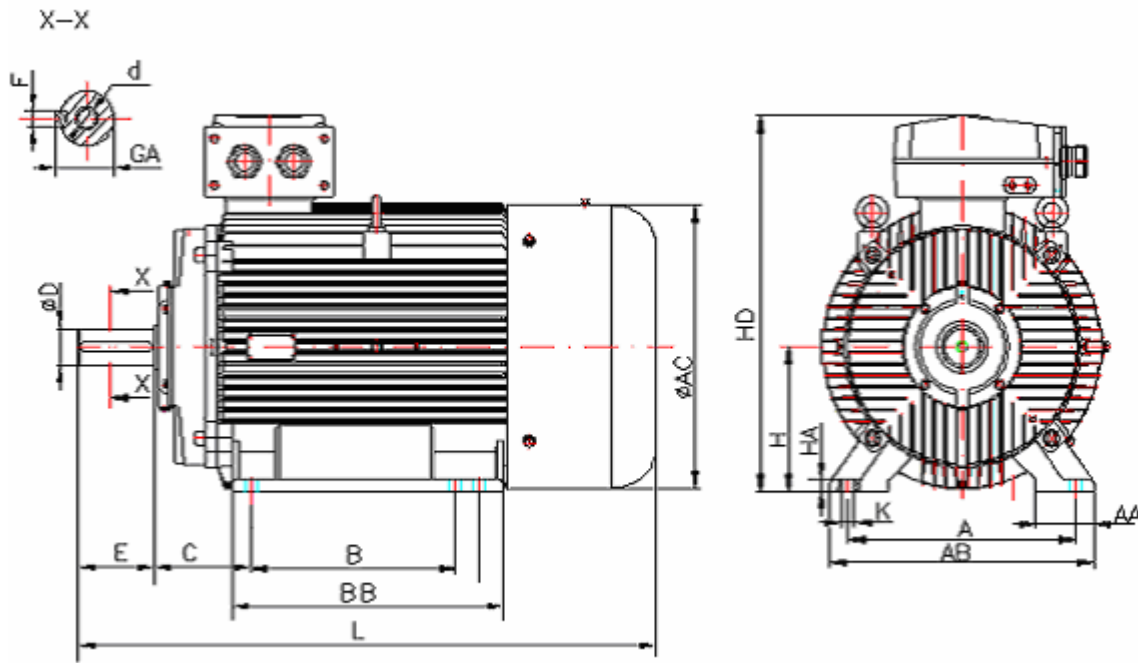


DATA SHEET

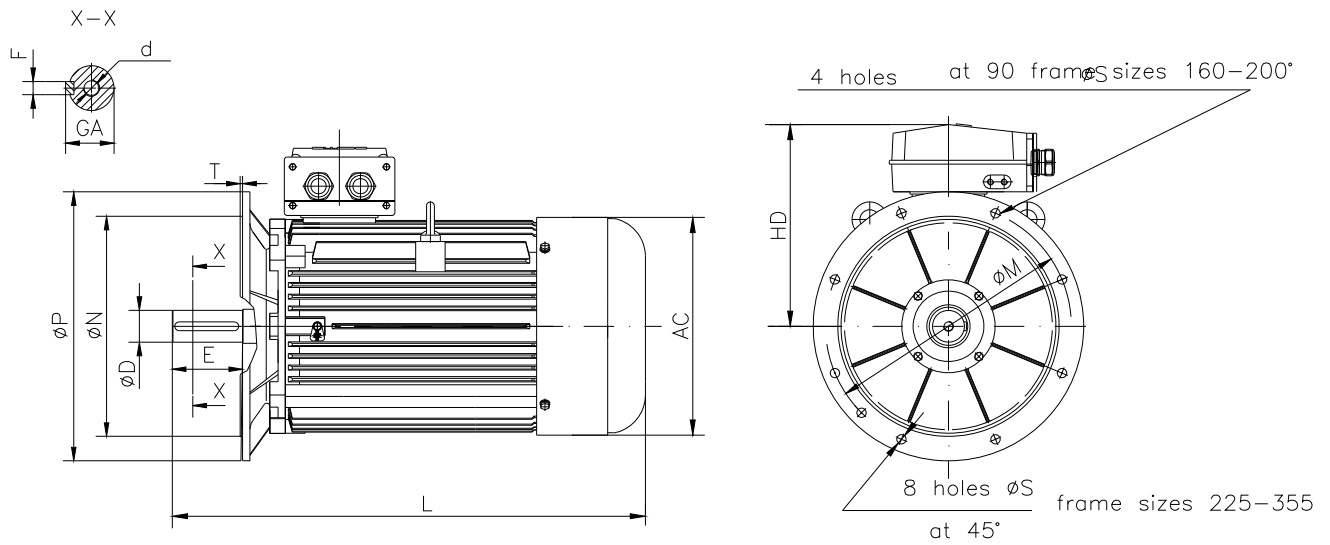
| | |
|------------------------------------|--|
| ○ Type..... | ASNA 315S-2 |
| ○ Reference standard..... | IEC 60034-1 60079-0; 60079-15 |
| ○ Rated output..... | 110 kW |
| ○ Rated stator voltage..... | 400V |
| ○ Rated frequency..... | 50 Hz |
| ○ Stator current at 100% load..... | 189.7 A |
| ○ Number of poles..... | 2 |
| ○ Rated speed..... | 2960 rev/min |
| ○ Efficiency at 100% load..... | 93% |
| ○ Power factor at 100% load..... | 0.9 |
| ○ Break-down torque..... | 2.5 x Mn |
| ○ Locked rotor torque..... | 2.1 x Mn |
| ○ Locked rotor current..... | 7.5 x In |
| ○ Rotor inertia..... | 1.03957 kgm ² |
| ○ Insulation class..... | F |
| ○ Direction of rotation..... | Both(CW&CCW) |
| ○ Protection degree..... | ≥IP55 |
| ○ Mounting..... | IM |
| ○ Cooling method..... | IC 411 |
| ○ Max. ambient temperature..... | +40°C |
| ○ Altitude..... | 1000m |
| ○ Bearing type..... | 6317 drive end 6317 non drive end |
| ○ Lubrication..... | regreasable bearings with UNIREX N2, Shell Alvania R3, SKF LGTH3 or similar |
| ○ Relubricating interval..... | 3300 hrs DE&NDE |
| ○ Correcting interval..... | 1700 hrs DE&NDE |
| ○ Grease quantity | 37g/bearing DE&NDE |
| ○ Weight..... | 544 Kg |
| ○ Thermal winding protection..... | 3xPTC |
| ○ Outline drawing..... | Page 2 |
| ○ Vibration level : | A(acc.IEC 60034-14) |
| ○ Noise level | acc.IEC 60034-9 |
| ○ Cable entries..... | 2xM63x1.5 |
| ○ Additional cable entries..... | 1xM16x1.5 |
| ○ Climate execution | N |

**The overall and mounting dimensions
IM 1001**



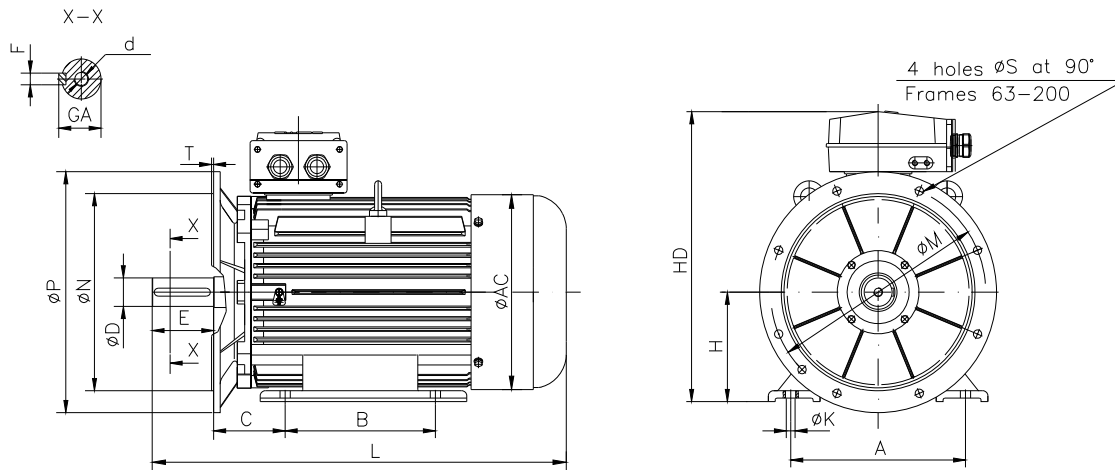
| Frame size | Dimensions (mm) | | | | | | | | | | | | | | | | |
|------------|-----------------|-----|-----|-----|----|-----|-----|-----|-----------------|------|-----|------|----|--------|-----|-------|------|
| | Foot mounting | | | | | | | | Shaft extension | | | | | HD max | AC | L max | |
| A | B | C | H | K | AA | AB | BB | HA | D | E | F | GA | d | | | | |
| 315S-2 | 508 | 406 | 216 | 315 | 28 | 130 | 590 | 580 | 285 | 65m6 | 140 | 18h9 | 69 | M20 | 819 | 554 | 1105 |

**The overall and mounting dimensions
IM 3001; IM 3011**



| Frame size | Dimensions (mm) | | | | | | | | | | | | |
|------------|----------------------|-----|-----|----|---|-----------------|-----|------|----|-----|--------|-----|-------|
| | Flange mounting (B5) | | | | | Shaft extension | | | | | HD max | AC | L max |
| N | M | P | S | T | D | E | F | GA | d | | | | |
| 315S-2 | 550 | 600 | 660 | 24 | 6 | 65m6 | 140 | 18h9 | 69 | M20 | 504 | 554 | 1105 |

**The overall and mounting dimensions
IMB35**



| Frame size | Dimensions (mm) | | | | | | | | | | | | | | | | HD max | AC | L max |
|------------|-----------------|-----|-----|------------------|----|-----------------|-----|-----|----|---|-----------------|-----|------|----|-----|-----|--------|------|-------|
| | Foot mounting | | | | | Flange mounting | | | | | Shaft extension | | | | | | | | |
| | A | B | C | H _{0,5} | K | N | M | P | S | T | D | E | F | GA | d | | | | |
| 315S-2 | 508 | 406 | 216 | 315 | 28 | 550 | 600 | 660 | 24 | 6 | 65m6 | 140 | 18h9 | 69 | M20 | 819 | 554 | 1105 | |