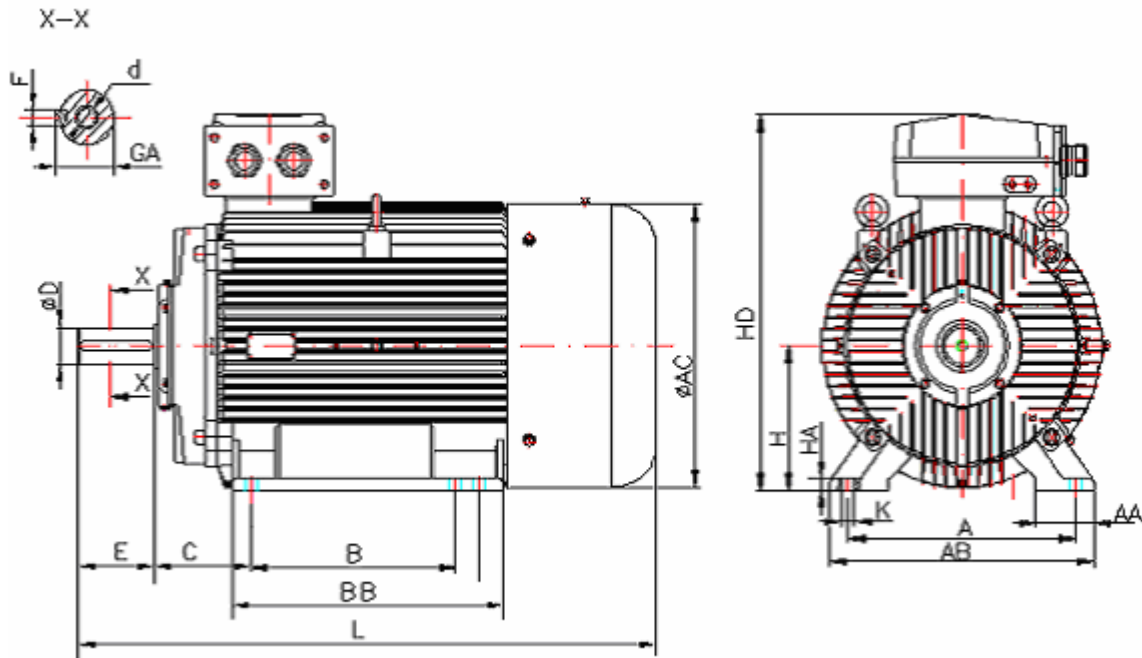


**DATA SHEET**

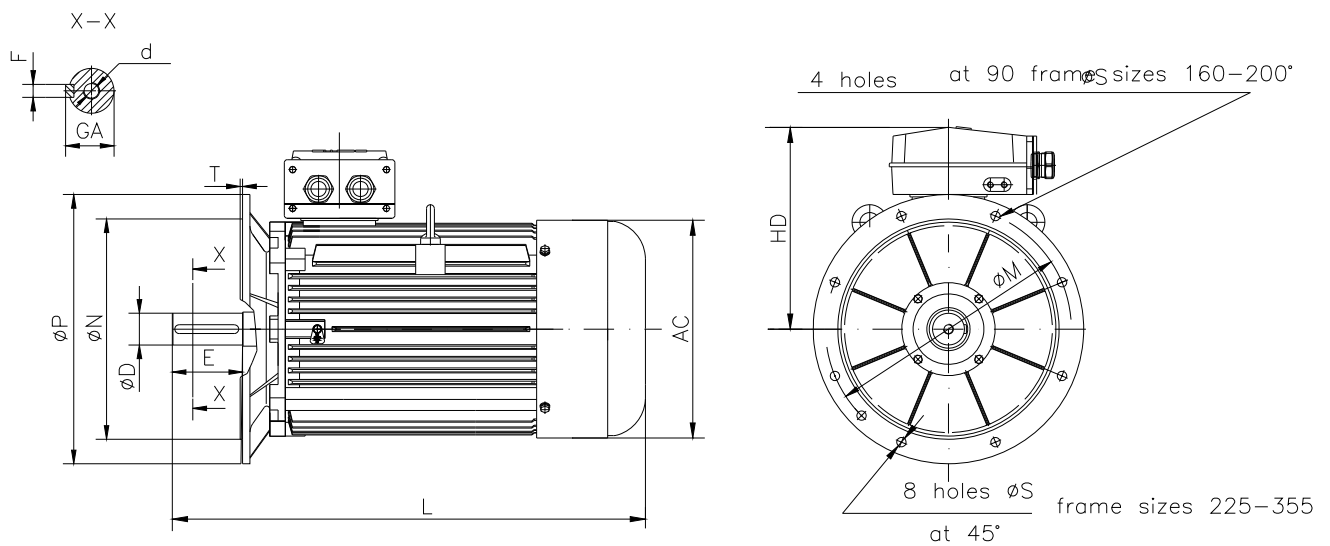
- Type.....ASNA 315M-2
- Reference standard..... IEC 60034-1  
60079-0;  
60079-15
- Rated output..... 132 kW
- Rated stator voltage.....400V
- Rated frequency.....50 Hz
- Stator current at 100% load..... 227.63 A
- Number of poles.....2
- Rated speed.....2960 rev/min
- Efficiency at 100% load.....93%
- Power factor at 100% load.....0.90
- Break-down torque.....2.2 x Mn
- Locked rotor torque.....2.1 x Mn
- Locked rotor current.....7.5 x In
- Rotor inertia.....1.28301 kgm<sup>2</sup>
- Insulation class.....F
- Direction of rotation.....Both(CW&CCW)
- Protection degree.....≥IP55
- Mounting.....IM
- Cooling method.....IC 411
- Max. ambient temperature.....+40°C
- Altitude.....1000m
- Bearing type.....6317 drive end  
6317 non drive end
- Lubrication..... regreasable bearings with UNIREX N2,  
Shell Alvania R3, SKF LGTH3 or similar
- Relubricating interval.....3300 hrs DE&NDE
- Correcting interval.....1700 hrs DE&NDE
- Grease quantity .....37g/bearing DE&NDE
- Weight..... 600 Kg
- Thermal winding protection.....3xPTC
- Outline drawing.....Page 2
- Vibration level : .....A (acc.IEC 60034-14 )
- Noise level .....acc.IEC 60034-9
- Cable entries.....2xM63x1.5
- Additional cable entries.....1xM16x1.5
- Climate execution .....N

**The overall and mounting dimensions  
IM 1001**



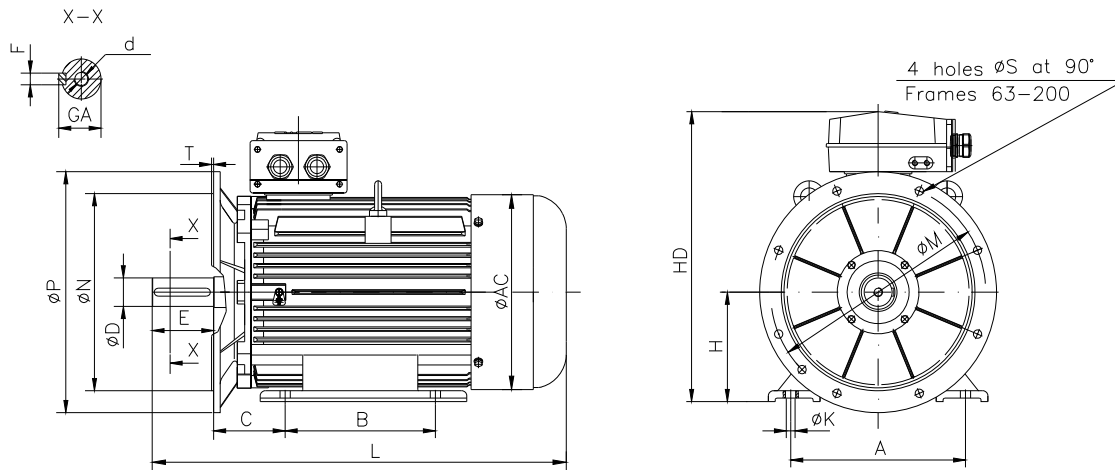
Frame size	Dimensions (mm)																
	Foot mounting								Shaft extension						HD max	AC	L max
A	B	C	H	K	AA	AB	BB	HA	D	E	F	GA	d				
315M-2	508	457	216	315	28	130	590	580	25	65m6	140	18h9	69	M20	819	554	1105

**The overall and mounting dimensions  
IM 3001; IM 3011**



Frame size	Dimensions (mm)											HD max	AC	L max
	Flange mounting (B5)					Shaft extension								
	N	M	P	S	T	D	E	F	GA	d				
315M-2	550	600	660	24	6	65m6	140	18h9	69	M20	504	554	1105	

**The overall and mounting dimensions  
IMB35**



Frame size	Dimensions (mm)																	
	Foot mounting					Flange mounting					Shaft extension					HD max	AC	L max
	A	B	C	H <sub>0.5</sub>	K	N	M	P	S	T	D	E	F	GA	d			
315M-2	508	457	216	315	28	550	600	660	24	6	65m6	140	18h9	69	M20	819	554	1105