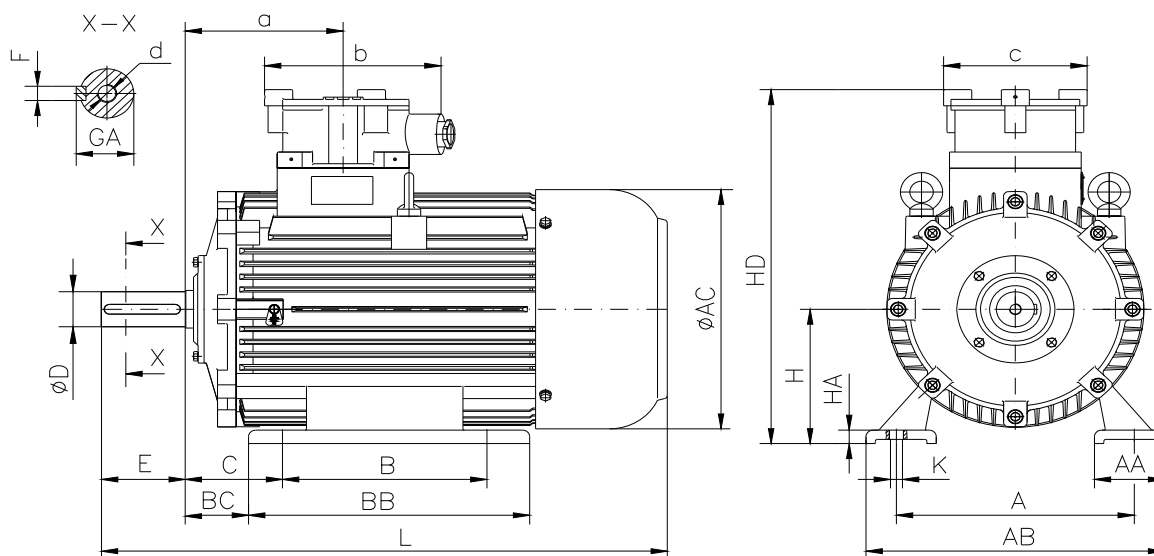


DATA SHEET

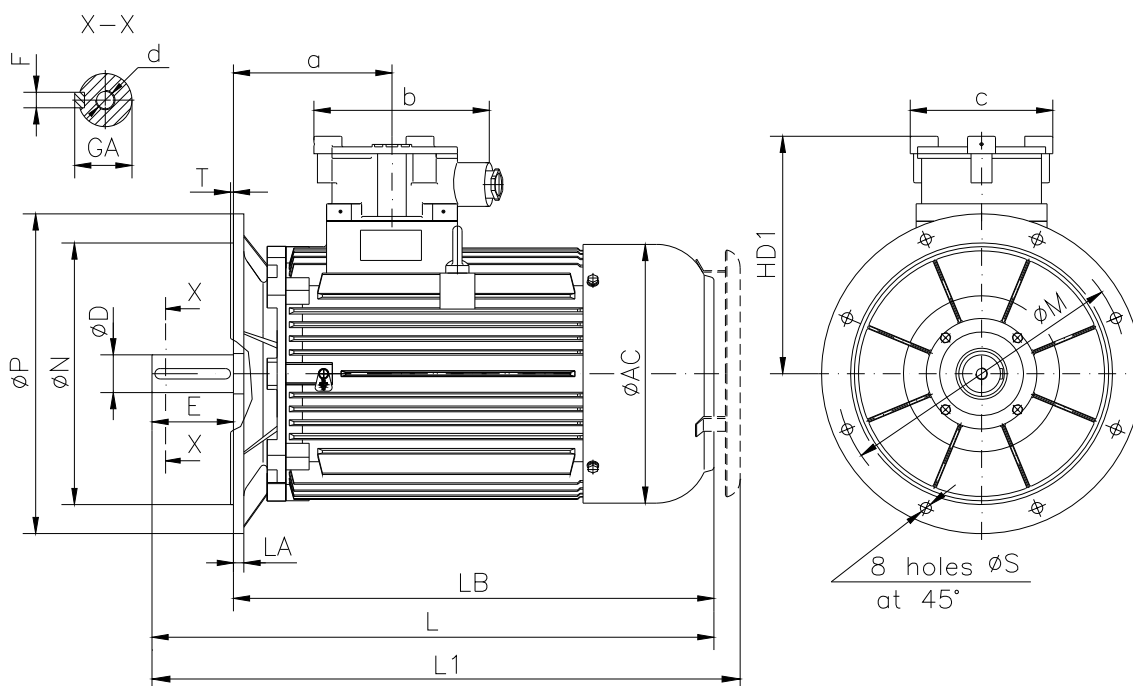
○ Type.....	E2-ASA 315S-4
○ Reference standard.....	IEC 60034-1; 60034-30 EN 60079-0 EN 60079-1 EN 60079-7
○ Rated output.....	110 kW
○ Rated stator voltage.....	400V
○ Rated frequency.....	50 Hz
○ Stator current at 100% load.....	181A
○ Number of poles.....	4
○ Rated speed.....	1476 rev/min
○ Efficiency at 100% 75%, 50% load.....	94.7%, 94.5%, 93.5%
○ Power factor at 100% load.....	0.91
○ Break-down torque.....	2.3 x Mn
○ Locked rotor torque.....	2 x Mn
○ Locked rotor current.....	7.3 x In
○ Rotor inertia.....	1.85099 kgm ²
○ Insulation class.....	F
○ Direction of rotation.....	Both(CW&CCW)
○ Protection degree.....	≥IP55
○ Mounting.....	IM
○ Cooling method.....	IC 411
○ Max. ambient temperature.....	+40°C
○ Altitude.....	1000m
○ Bearing type.....	6317 drive end 6315 non drive end
○ Lubrication.....	regreasable bearings with UNIREX N2, Shell Alvania R3, SKF LGTH3 or similar
○ Relubricating interval.....	10000[hrs] drive end 11400[hrs] non drive end
○ Correcting interval.....	3500[hrs] drive end 4000[hrs] non drive end
○ Grease quantity	37g/bearing drive end 30g/bearing non drive end
○ Thermal winding protection.....	3xPTC
○ Weight.....	840 Kg
○ Outline drawing.....	Page 2
○ Vibration level :	A (acc.IEC 60034-14)
○ Noise level	acc.IEC 60034-9
○ Cable entries.....	2xM63x1.5
○ Additional cable entries.....	1xM20x1.5
○ Climate execution	N

**The overall and mounting dimensions
IM 1001**



Frame size	Dimensions (mm)																				
	Foot mounting										Shaft extension					HD	AC	L	a	b	c
A	B	C	H _{0.5}	K	AA	AB	BB	BC	HA	D	E	F	GA	d							
315 S-4	508	406	216	315	28	130	630	528	151.5	30	80m6	170	22h9	85	M20	826	560	1275	300	340	300

**The overall and mounting dimensions
IM 3001; IM 3011**



Frame size	Dimensions (mm)																		
	Flange mounting (B5)					Shaft extension					HD1	AC	LA	LB	L	L1	a	b	c
315 S-4	N	M	P	S	T	D	E	F	GA	d									
	550j6	600	660	24	6	80m6	170	22h9	85	M20	511	560	20	1102	1275	1385	300	340	300