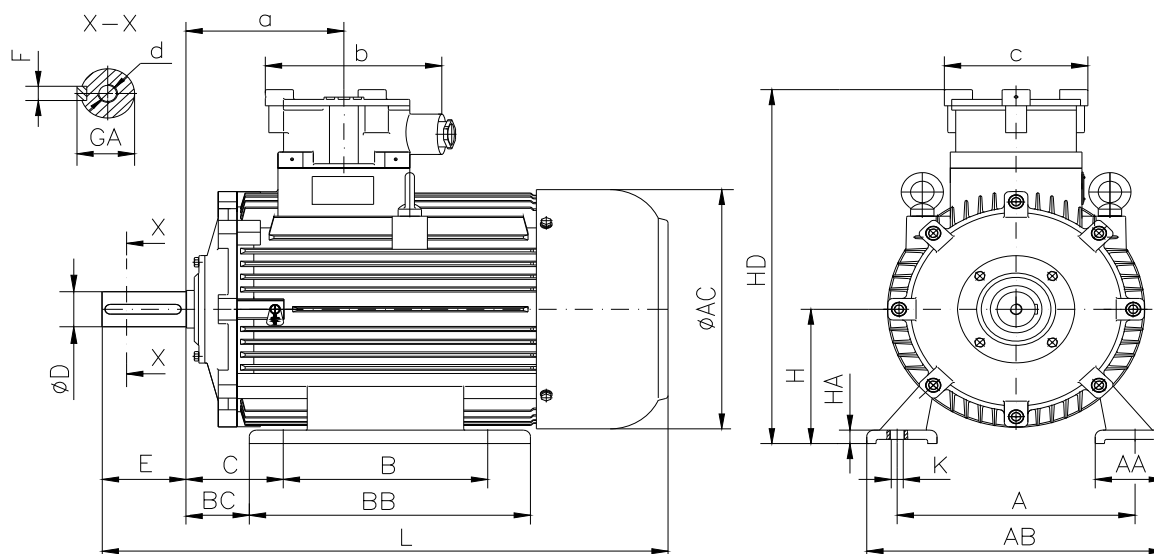


DATA SHEET

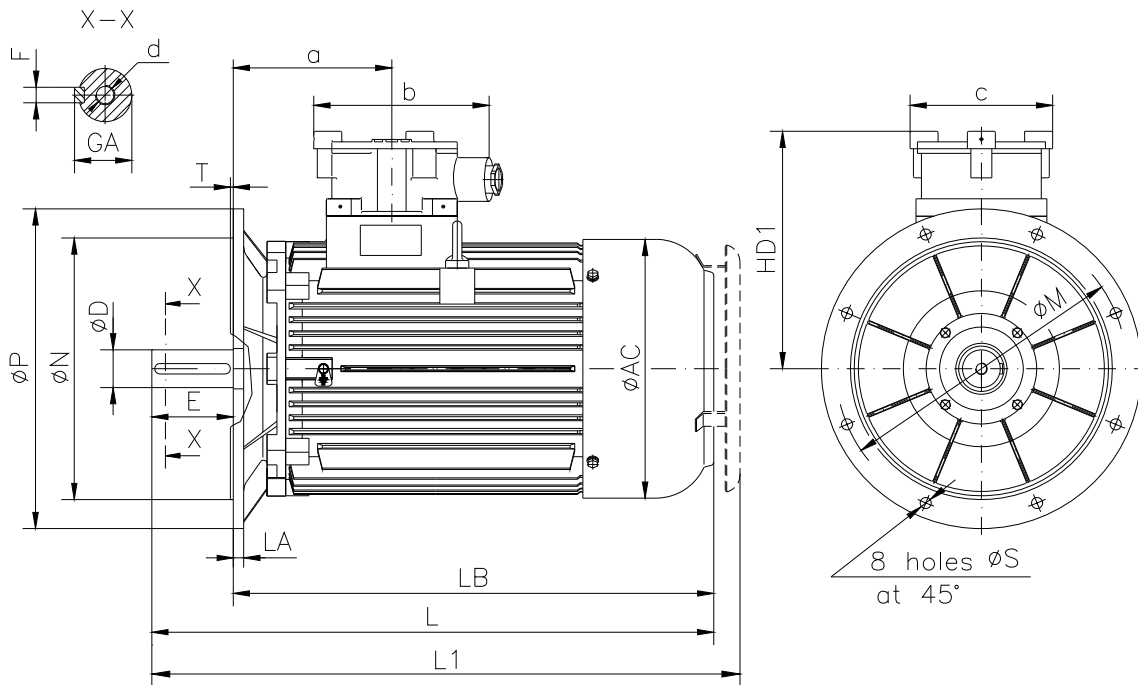
- Type.....E2-ASA 315MX-2
- Reference standard..... IEC 60034-1; 60034-30
EN 60079-0
EN 60079-1
EN 60079-7
- Rated output..... 160 kW
- Rated stator voltage.....400V
- Rated frequency.....50 Hz
- Stator current at 100% load.....264 A
- Number of poles.....2
- Rated speed.....2975 rev/min
- Efficiency at 100%, 75%, 50% load.....95.3%, 94.9%, 93.2%
- Power factor at 100% load.....0.92
- Break-down torque.....1.9 x Mn
- Locked rotor torque.....1.9 x Mn
- Locked rotor current.....7 x In
- Rotor inertia.....1.93201 kgm²
- Insulation class.....F
- Direction of rotation.....Both(CW&CCW)
- Protection degree.....≥IP55
- Mounting.....IM
- Cooling method.....IC 411
- Max. ambient temperature.....+40°C
- Altitude.....1000m
- Bearing type.....6316 drive end
6316 non drive end
- Lubrication..... regreasable bearings with UNIREX N2,
Shell Alvania R3, SKF LGTH3 or similar
- Relubricating interval.....3700 hrs DE&NDE
- Correcting interval.....2000 hrs DE&NDE
- Grease quantity33g/bearing DE&NDE
- Thermal winding protection.....3xPTC
- Outline drawing.....Page 2
- Weight.....1180 Kg
- Vibration level :.....A (acc.IEC 60034-14)
- Noise levelacc.IEC 60034-9
- Cable entries.....2xM63x1.5
- Additional cable entries.....1xM20x1.5
- Climate executionN

**The overall and mounting dimensions
IM 1001**



Frame size	Dimensions (mm)																				
	Foot mounting										Shaft extension					HD	AC	L	a	b	c
315 MX-2	A	B	C	H _{0.5}	K	AA	AB	BB	BC	HA	D	E	F	GA	d						
	508	457	216	315	28	120	630	588	176	26	65m6	140	18h9	69	M20	878	620	1330	320	460	355

**The overall and mounting dimensions
IM 3001; IM 3011**



Frame size	Dimensions (mm)																			
	Flange mounting (B5)					Shaft extension					HD1	AC	LA	LB	L	L1	a	b	c	
N	M	P	S	T	D	E	F	GA	d											
315 MX-2	550j6	600	660	24	6	65m6	140	18h9	69	M20	542	620	25	1155	1330	1430	320	460	355	