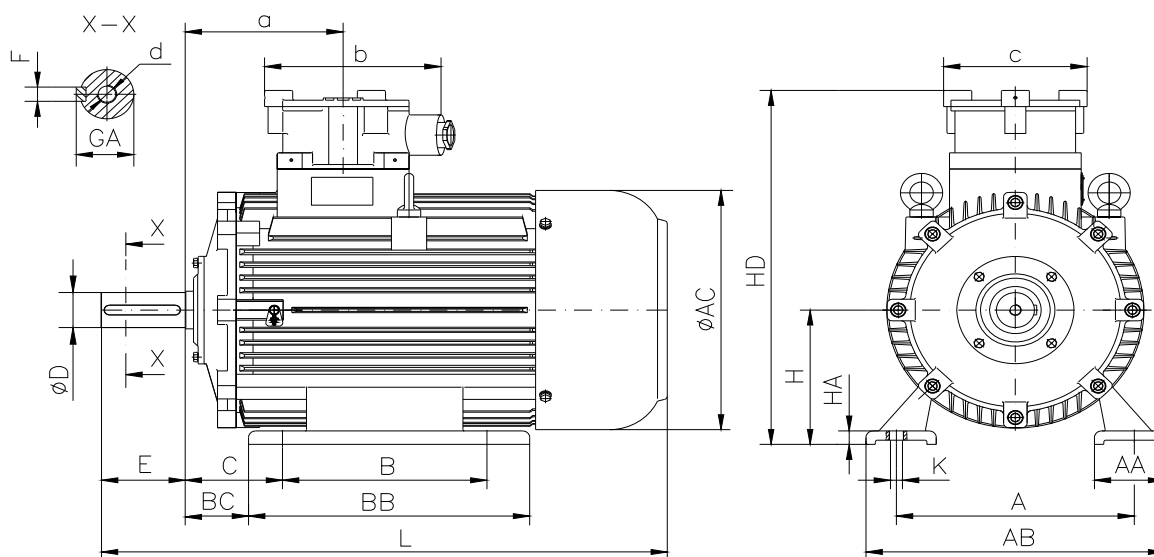


DATA SHEET

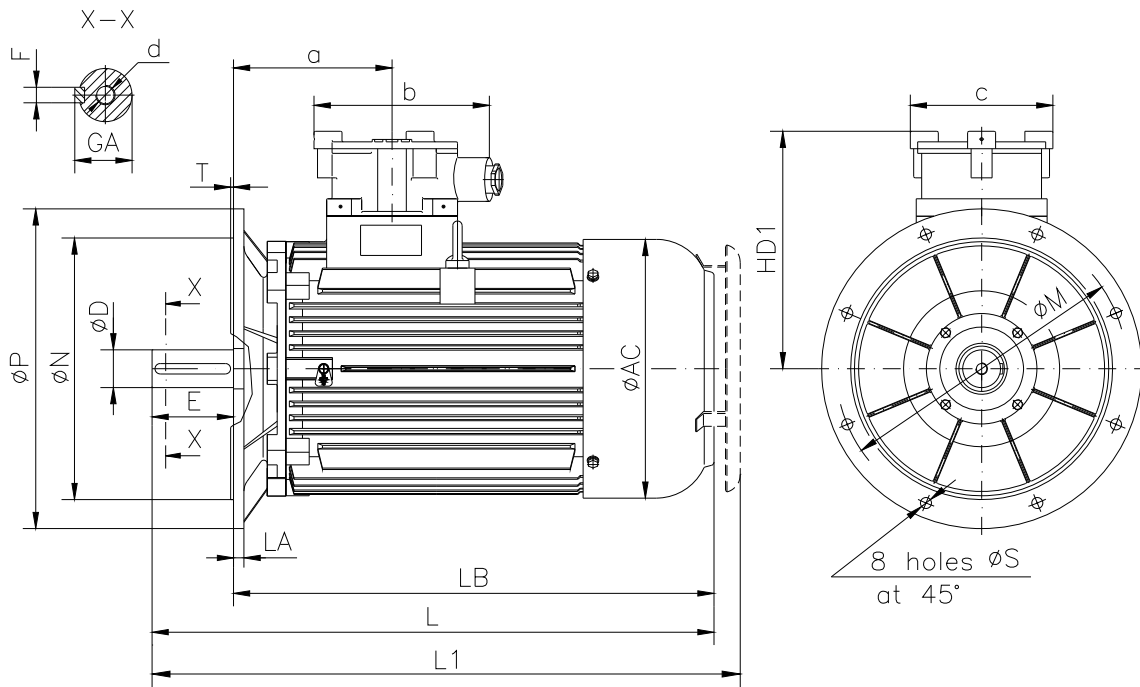
| | |
|--|--|
| ○ Type..... | E2-ASA 315M-6 |
| ○ Reference standard..... | IEC 60034-1; 60034-30 EN 60079-0 EN 60079-1 EN 60079-7 |
| ○ Rated output..... | 90 kW |
| ○ Rated stator voltage..... | 400V |
| ○ Rated frequency..... | 50 Hz |
| ○ Stator current at 100% load..... | 156A |
| ○ Number of poles..... | 6 |
| ○ Rated speed..... | 981 rev/min |
| ○ Efficiency at 100%, 75%, 50% load..... | 94.4%, 94.7%, 94.4% |
| ○ Power factor at 100% load..... | 0.89 |
| ○ Break-down torque..... | 2.1 x Mn |
| ○ Locked rotor torque..... | 1.9 x Mn |
| ○ Locked rotor current..... | 6.7 x In |
| ○ Rotor inertia..... | 3.38053 kgm ² |
| ○ Insulation class..... | F |
| ○ Direction of rotation..... | Both(CW&CCW) |
| ○ Protection degree..... | ≥IP55 |
| ○ Mounting..... | IM |
| ○ Cooling method..... | IC 411 |
| ○ Max. ambient temperature..... | +40°C |
| ○ Altitude..... | 1000m |
| ○ Bearing type..... | 6317 drive end 6315 non drive end |
| ○ Lubrication..... | regreasable bearings with UNIREX N2, Shell Alvania R3, SKF LGTH3 or similar |
| ○ Relubricating interval..... | 10000[hrs] drive end 11400[hrs] non drive end |
| ○ Correcting interval..... | 3500[hrs] drive end 4000[hrs] non drive end |
| ○ Grease quantity | 37g/bearing drive end 30g/bearing non drive end |
| ○ Weight..... | 943 Kg |
| ○ Thermal winding protection..... | 3xPTC |
| ○ Outline drawing..... | Page 2 |
| ○ Vibration level..... | A (acc.IEC 60034-14) |
| ○ Noise level | acc.IEC 60034-9 |
| ○ Cable entries..... | 2xM63x1.5 |
| ○ Additional cable entries..... | 1xM20x1.5 |
| ○ Climate execution | N |

**The overall and mounting dimensions
IM 1001**



| Frame size | Dimensions (mm) | | | | | | | | | | | | | | | | | | | | |
|------------|-----------------|-----|-----|------------------|----|-----|-----|-----|-------|----|-----------------|-----|------|----|-----|-----|-----|------|-----|-----|-----|
| | Foot mounting | | | | | | | | | | Shaft extension | | | | | | HD | AC | L | a | b |
| | A | B | C | H _{0.5} | K | AA | AB | BB | BC | HA | D | E | F | GA | d | | | | | | |
| 315 M-6 | 508 | 457 | 216 | 315 | 28 | 130 | 630 | 568 | 151.5 | 30 | 80m6 | 170 | 22h9 | 85 | M20 | 826 | 560 | 1312 | 300 | 340 | 300 |

**The overall and mounting dimensions
IM 3001; IM 3011**



| Frame size | Dimensions (mm) | | | | | | | | | | | | | | | | | | |
|------------|----------------------|-----|-----|----|---|-----------------|-----|------|----|-----|-----|-----|----|------|------|------|-----|-----|-----|
| | Flange mounting (B5) | | | | | Shaft extension | | | | | HD1 | AC | LA | LB | L | L1 | a | b | c |
| N | M | P | S | T | D | E | F | GA | d | | | | | | | | | | |
| 315 M-6 | 550j6 | 600 | 660 | 24 | 6 | 80m6 | 170 | 22h9 | 85 | M20 | 511 | 560 | 20 | 1142 | 1315 | 1415 | 300 | 340 | 240 |