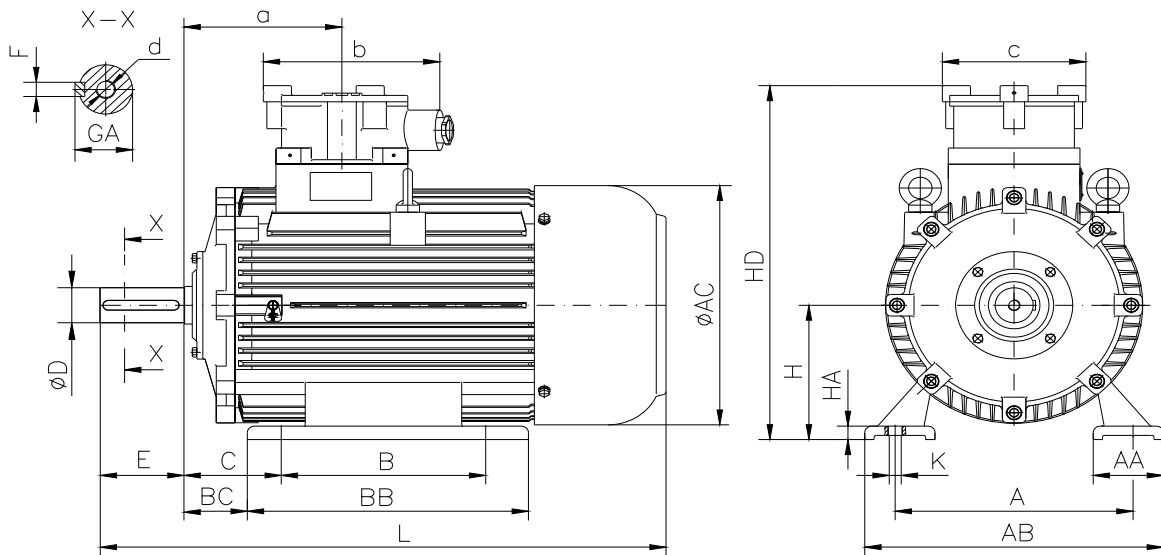


**DATA SHEET**

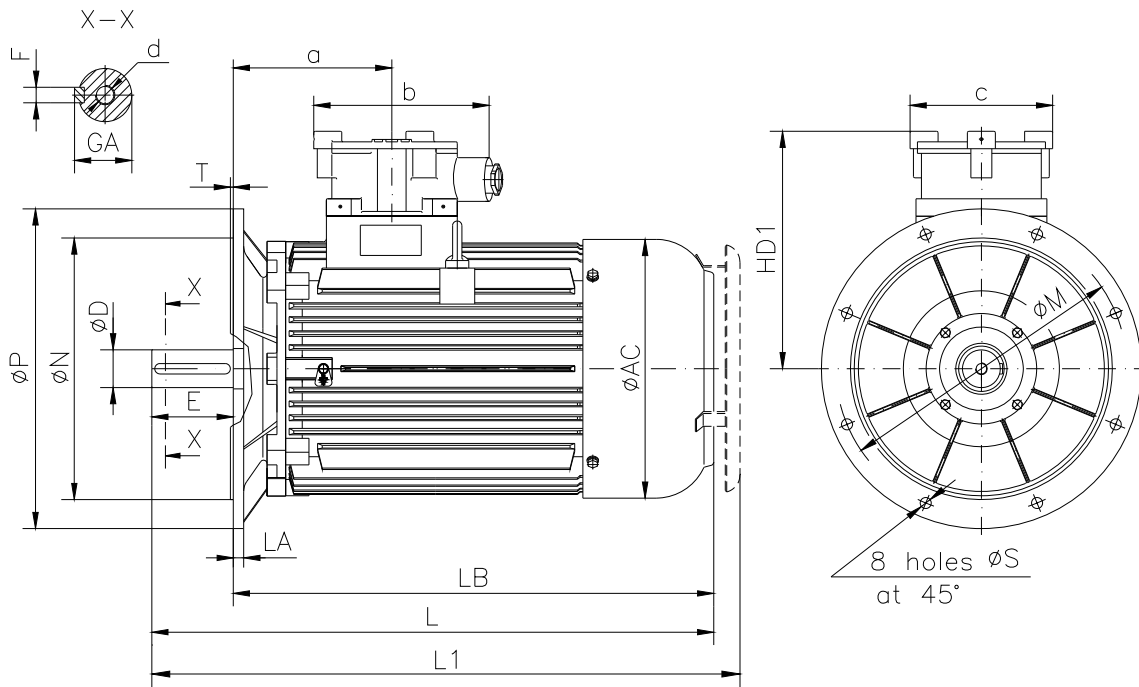
○ Type.....	E2-ASA 315LY-2
○ Reference standard.....	IEC 60034-1; 60034-30 EN 60079-0 EN 60079-1 EN 60079-7
○ Rated output.....	200 kW
○ Rated stator voltage.....	400V
○ Rated frequency.....	50 Hz
○ Stator current at 100% load.....	329 A
○ Number of poles.....	2
○ Rated speed.....	2980 rev/min
○ Efficiency at 100%, 75%, 50% load.....	95.5%, 95.1%, 93.4%
○ Power factor at 100% load.....	0.92
○ Break-down torque.....	2.1 x Mn
○ Locked rotor torque.....	2.1 x Mn
○ Locked rotor current.....	7 x In
○ Rotor inertia.....	2.170946 kgm <sup>2</sup>
○ Insulation class.....	F
○ Direction of rotation.....	Both(CW&CCW)
○ Protection degree.....	≥IP55
○ Mounting.....	IM
○ Cooling method.....	IC 411
○ Max. ambient temperature.....	+40°C
○ Altitude.....	1000m
○ Bearing type.....	6316 drive end 6316 non drive end
○ Lubrication.....	regreasable bearings with UNIREX N2, Shell Alvania R3, SKF LGTH3 or similar
○ Relubricating interval.....	3700 hrs DE&NDE
○ Correcting interval.....	2000 hrs DE&NDE
○ Grease quantity .....	33g/bearing DE&NDE
○ Thermal winding protection.....	3xPTC
○ Outline drawing.....	Page 2
○ Weight.....	1280 Kg
○ Vibration level :.....	A (acc.IEC 60034-14 )
○ Noise level .....	acc.IEC 60034-9
○ Cable entries.....	2xM63x1.5
○ Additional cable entries.....	1xM20x1.5
○ Climate execution .....	N

**The overall and mounting dimensions  
IM 1001**



Frame size	Dimensions (mm)																				
	Foot mounting										Shaft extension					HD	AC	L	a	b	c
315 LY-2	A	B	C	H <sub>0,5</sub>	K	AA	AB	BB	BC	HA	D	E	F	GA	d						
	508	508	216	315	28	120	630	588	176	26	65m6	140	18h9	69	M20	880	620	1400	320	460	355

**The overall and mounting dimensions  
IM 3001; IM 3011**



Frame size	Dimensions (mm)																			
	Flange mounting (B5)					Shaft extension					HD1	AC	LA	LB	L	L1	a	b	c	
N	M	P	S	T	D	E	F	GA	d											
315 LY-2	550j6	600	660	24	6	65m6	140	18h9	69	M20	565	620	25	1225	1400	1500	320	460	355	