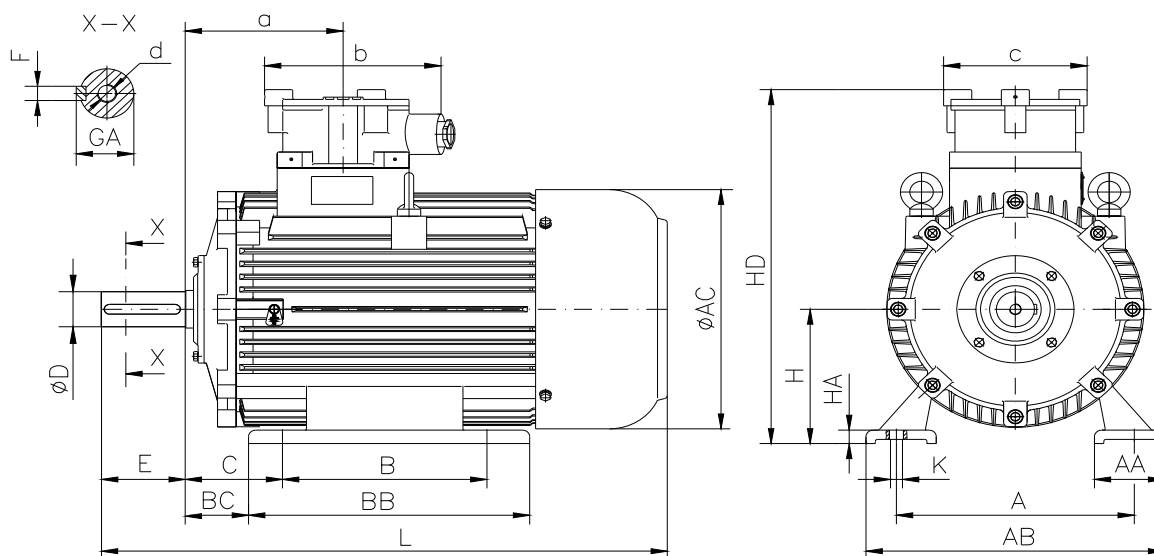


DATA SHEET

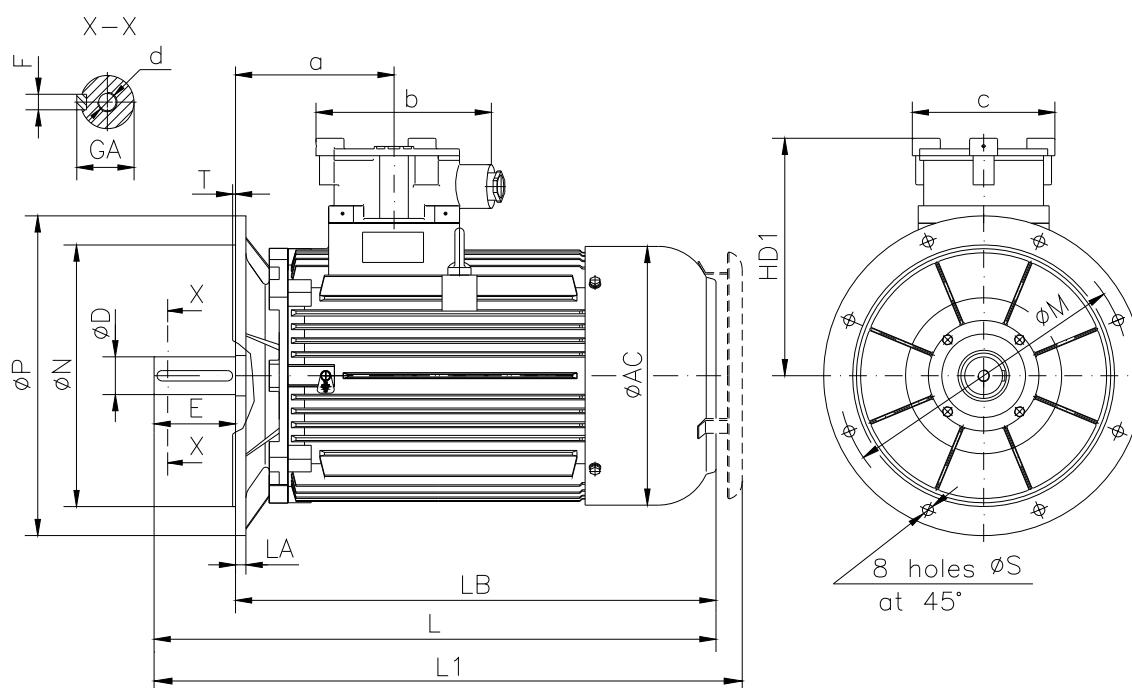
- Type.....E2-ASA 280S-4
- Reference standard..... IEC 60034-1; 60034-30
EN 60079-0
EN 60079-1
EN 60079-7
- Rated output..... 75 kW
- Rated stator voltage.....400V
- Rated frequency.....50Hz
- Stator current at 100% load.....128 A
- Number of poles.....4
- Rated speed.....1480 rev/min
- Efficiency at 100%, 75%, 50% load.....94.9%, 94.7%, 94.1%
- Power factor at 100% load.....0.88
- Break-down torque.....3.2 x Mn
- Locked rotor torque.....2.8 x Mn
- Locked rotor current.....7.9 x In
- Rotor inertia1.07146 kgm²
- Insulation class.....F
- Direction of rotation.....Both(CW&CCW)
- Protection degree.....≥IP55
- Mounting.....IM
- Cooling method.....IC 411
- Max. ambient temperature.....+40°C
- Altitude.....1000m
- Bearing type.....6316 drive end
6314 non drive end
- Lubrication..... regreasable bearings with UNIREX N2,
Shell Alvania R3, SKF LGTH3
- Relubricating interval.....10700 hrs DE
12100 hrs NDE
- Correcting interval.....3700 hrs DE
4200 hrs NDE
- Grease quantity33g/bearing DE
26 g/bearing NDE
- Thermal winding protection.....3xPTC
- Outline drawing.....Page 2
- Vibration level :.....A(acc.IEC 60034-14)
- Noise levelacc.IEC 60034-9
- Cable entries.....2xM63x1.5
- Additional cable entries.....1xM20x1.5
- Climate executionN

**The overall and mounting dimensions
IM 1001**



Frame size	Dimensions (mm)																				
	Foot mounting										Shaft extension					HD	AC	L	a	b	c
280 S-4	A	B	C	H _{0,5}	K	AA	AB	BB	BC	HA	D	E	F	GA	d						
	457	368	190	280	24	120	550	460	147	30	75m6	140	20h9	79.5	M20	758	500	1130	280	340	300

**The overall and mounting dimensions
IM 3001; IM 3011**



Frame size	Dimensions (mm)																		
	Flange mounting (B5)					Shaft extension					HD1	AC	LA	LB	L	L1	a	b	c
N	M	P	S	T	D	E	F	GA	d										
280 S-4	450j6	500	550	18.5	5	75m6	140	20h9	79.5	M20	478	500	20	983	1130	1230	280	340	300