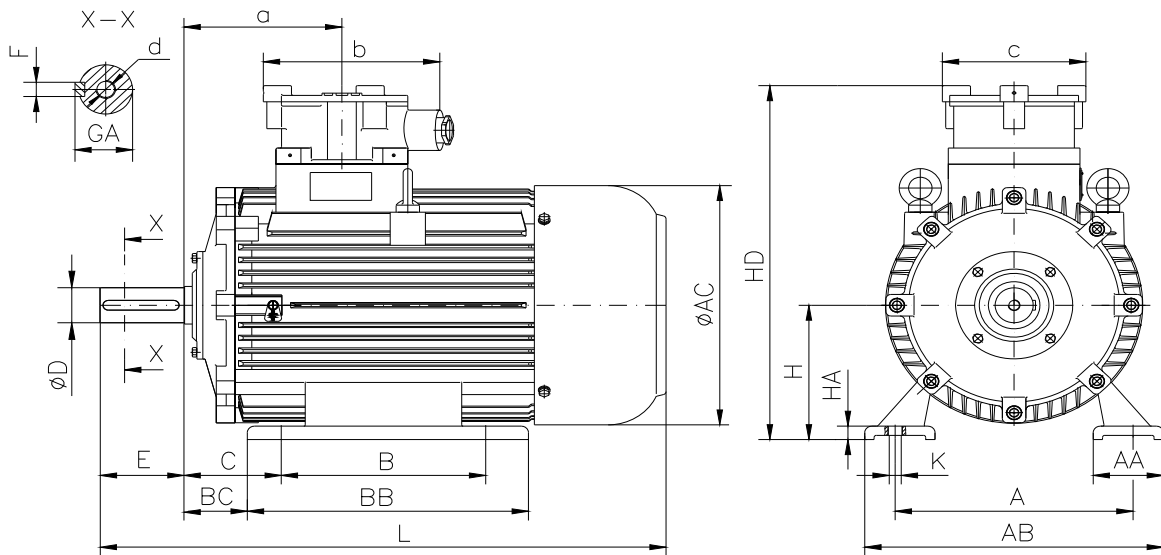


**DATA SHEET**

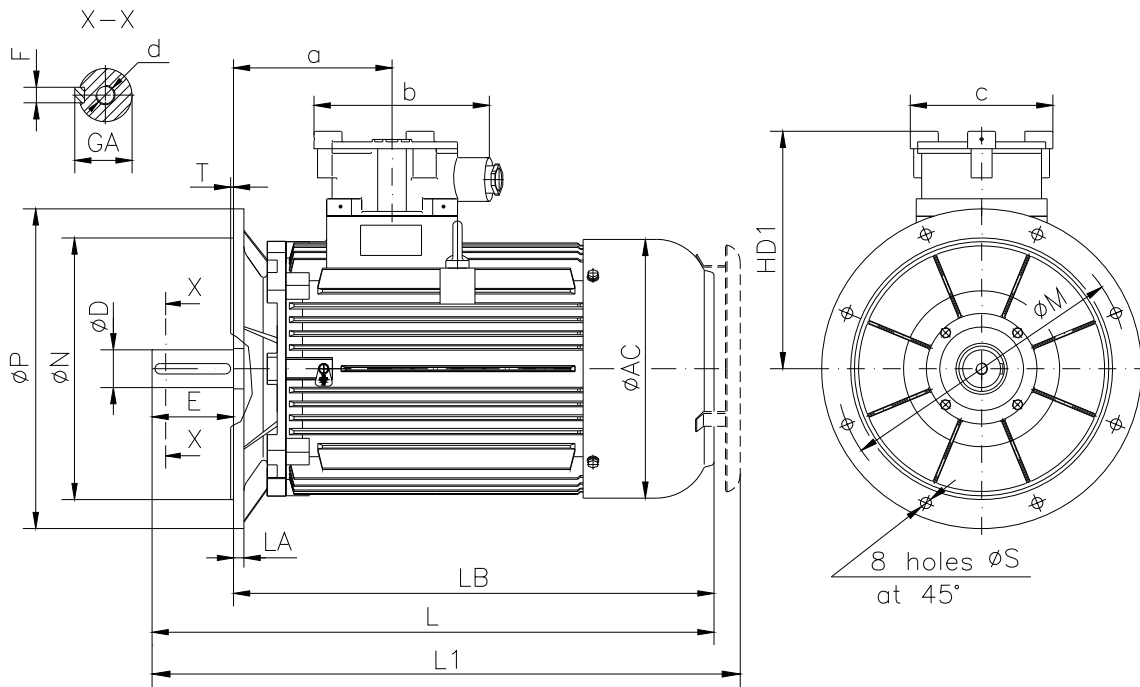
○ Type.....	E2-ASA 280S-2
○ Reference standard.....	IEC 60034-1; 60034-30 EN 60079-0 EN 60079-1 EN 60079-7
○ Rated output.....	75 kW
○ Rated stator voltage.....	400V
○ Rated frequency.....	50 Hz
○ Stator current at 100% load.....	130 A
○ Number of poles.....	2
○ Rated speed.....	2950 rev/min
○ Efficiency at 100%, 75%, 50% load.....	94.2%, 94.2%, 93.5%
○ Power factor at 100% load.....	0.89
○ Break-down torque.....	1.8 x Mn
○ Locked rotor torque.....	1.8 x Mn
○ Locked rotor current.....	6.1 x In
○ Rotor inertia.....	0.615493 kgm <sup>2</sup>
○ Insulation class.....	F
○ Direction of rotation.....	Both(CW&CCW)
○ Protection degree.....	≥IP55
○ Mounting.....	IM
○ Cooling method.....	IC 411
○ Max. ambient temperature.....	+40°C
○ Altitude.....	1000m
○ Bearing type.....	6314 drive end 6314 non drive end
○ Lubrication.....	regreasable bearings with UNIREX N2, Shell Alvania R3, SKF LGTH3
○ Relubricating interval.....	4800 hrs DE&NDE
○ Correcting interval.....	1700 hrs DE&NDE
○ Grease quantity .....	26g/bearing DE&NDE
○ Thermal winding protection.....	3xPTC
○ Weight.....	611 Kg
○ Outline drawing.....	Page 2
○ Vibration level : .....	A (acc.IEC 60034-14 )
○ Noise level .....	acc.IEC 60034-9
○ Cable entries.....	2xM63x1.5
○ Additional cable entries.....	1xM20x1.5
○ Climate execution .....	N

**The overall and mounting dimensions  
IM 1001**



Frame size	Dimensions (mm)																				
	Foot mounting										Shaft extension						HD	AC	L	a	b
280 S-2	A	B	C	H <sub>0.5</sub>	K	AA	AB	BB	BC	HA	D	E	F	GA	d						
	457	368	190	280	24	120	550	460	147	30	65m6	140	18h9	69	M20	758	500	1130	280	340	300

**The overall and mounting dimensions  
IM 3001; IM 3011**



Frame size	Dimensions (mm)																			
	Flange mounting (B5)					Shaft extension					HD1	AC	LA	LB	L	L1	a	b	c	
N	M	P	S	T	D	E	F	GA	d											
280 S-2	450j6	500	550	18.5	5	65m6	140	18h9	69	M20	478	500	20	983	1130	1230	280	340	300	