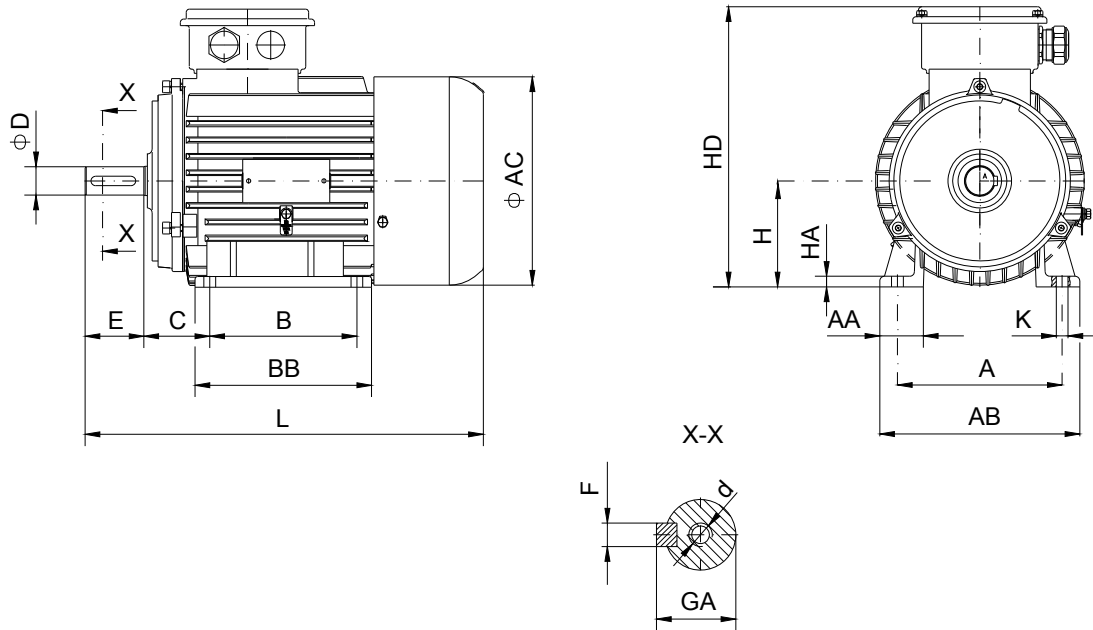


DATA SHEET

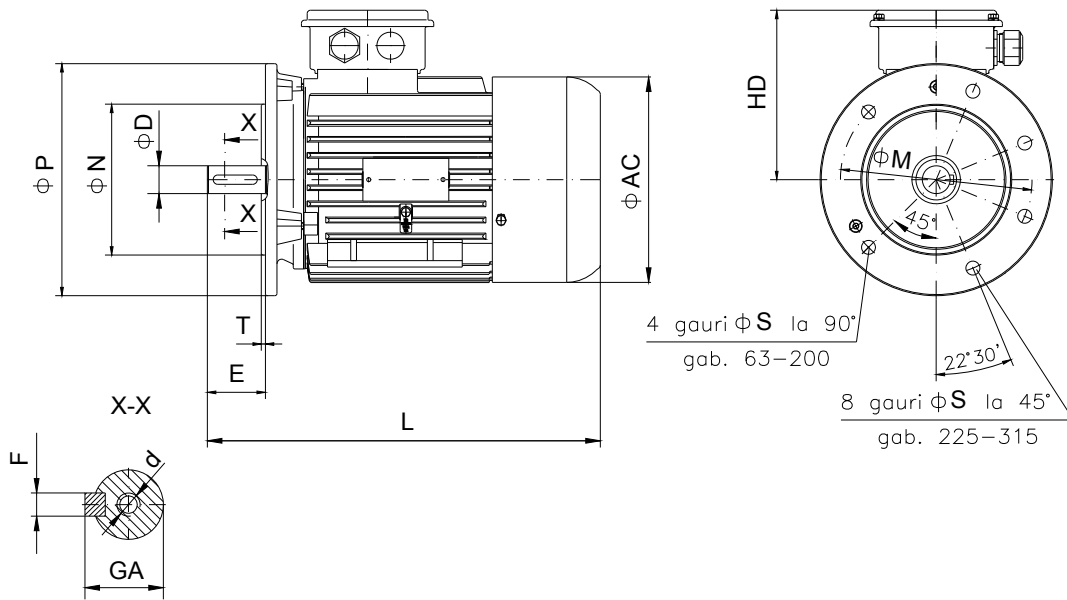
- Type.....ASNA 90S-2
- Reference standard.....IEC 60034-1
60079-0;
60079-15
- Rated output..... 1.5 kW
- Rated stator voltage.....400V
- Stator current at 100% load.....3.27 [A]
- Number of poles.....2
- Rated speed.....2680 rev/min
- Rated frequency.....50 Hz
- Efficiency at 100% load.....76%
- Power factor at 100% load.....0.87
- Break-down torque.....2.4 x Mn
- Locked rotor torque.....2.4 x Mn
- Locked rotor current.....5.5 x In
- Rotor inertia.....0.00259 kgm²
- Insulation class.....F
- Direction of rotation.....Both(CW&CCW)
- Protection degree.....≥IP55
- Mounting.....IM
- Cooling method.....IC 411
- Max. ambient temperature.....+40°C
- Altitude.....1000m
- Bearing type.....6305 2Z drive end
6305 2Z non drive end
- Weight.....22Kg
- Outline drawing.....Page 2
- Vibration level :.....A (acc.IEC 60034-14)
- Noise levelacc.IEC 60034-9
- Cable entries.....1xM25x1.5
- Climate executionN

**The overall and mounting dimensions
IM 1001**



Frame size	Dimensions (mm)														HD max	AC	L max
	Foot mounting						Shaft extension										
	A	B	C	H	K	AA	AB	BB	HA	D	E	F	GA	d			
90 S-2	140	100	56	90	10	37	170	150	9	24j6	50	8h9	27	M8	272	177	361

**The overall and mounting dimensions
IM 3001; IM 3011**



Frame size	Dimensions (mm)												
	Flange mounting (B5)					Shaft extension					HD max	AC	L max
N	M	P	S	T	D	E	F	GA	d				
90S-2	130	165	200	12	3.5	24j6	50	8h9	27	M8	182	177	361

**The overall and mounting dimensions
IMB35**



Frame size	Dimensions (mm)																	
	Foot mounting					Flange mounting					Shaft extension					HD max	AC	L max
90S-2	A	B	C	H _{0.5}	K	N	M	P	S	T	D	E	F	GA	d			
	140	100	56	90	10	130	165	200	12	3.5	19j6	50	8h9	27	M8	272	177	361