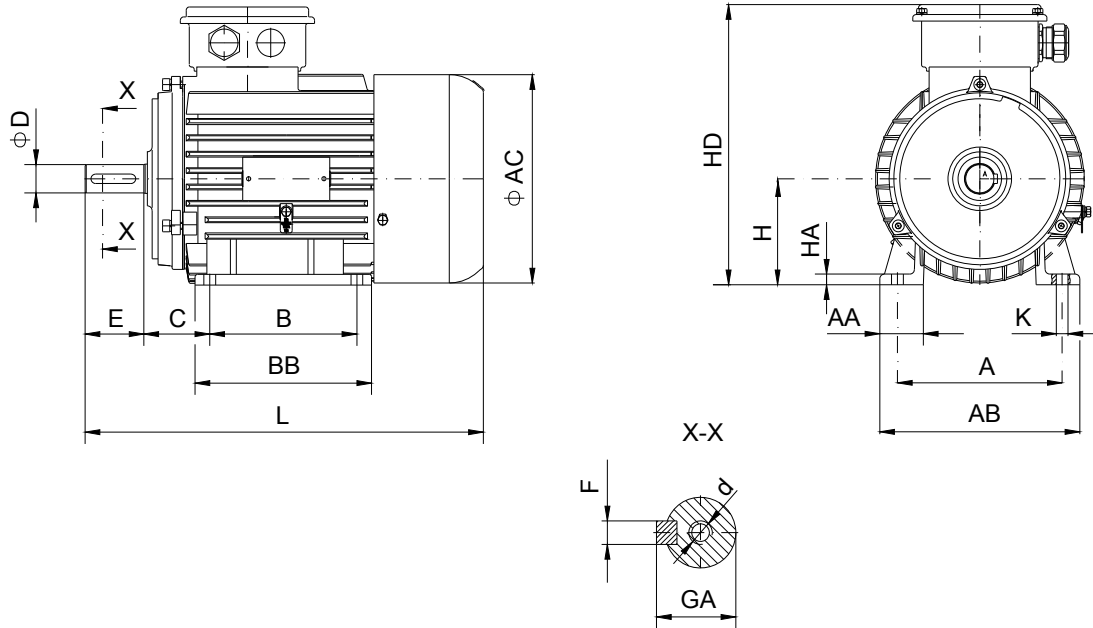


DATA SHEET

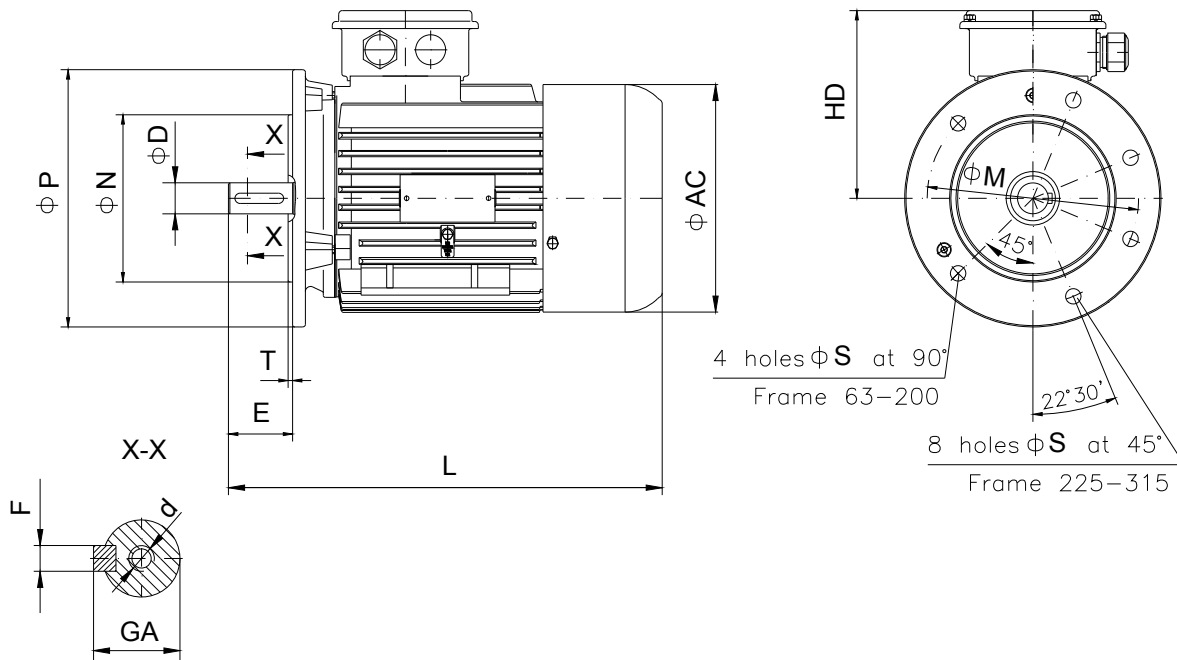
○ Type.....	ASU 90L-4
○ Reference standard.....	IEC 60034-1 60079-0; 60079-15
○ Rated output.....	1.5 kW
○ Rated stator voltage.....	400V
○ Stator current at 100%.....	3.8 [A]
○ Number of poles.....	4
○ Rated speed.....	1380 rev/min
○ Rated frequency.....	50 Hz
○ Efficiency at 100% load.....	74%
○ Power factor at 100% load.....	0.77
○ Break-down torque.....	2.5 x Mn
○ Locked rotor torque.....	3 x Mn
○ Locked rotor current.....	5 x In
○ Rotor inertia.....	0.00504 kgm ²
○ Insulation class.....	F
○ Direction of rotation.....	Both(CW&CCW)
○ Protection degree.....	≥IP55
○ Mounting.....	IM
○ Cooling method.....	IC 411
○ Max. ambient temperature.....	+40°C
○ Altitude.....	1000m
○ Bearing type.....	6305 2Z drive end 6305 2Z non drive end
○ Weight.....	24Kg
○ Outline drawing.....	Page 2
○ Vibration level :.....	A (acc.IEC 60034-14)
○ Noise level	acc.IEC 60034-9
○ Cable entries.....	1xM25x1.5
○ Climate execution	N

**The overall and mounting dimensions
IM 1001**



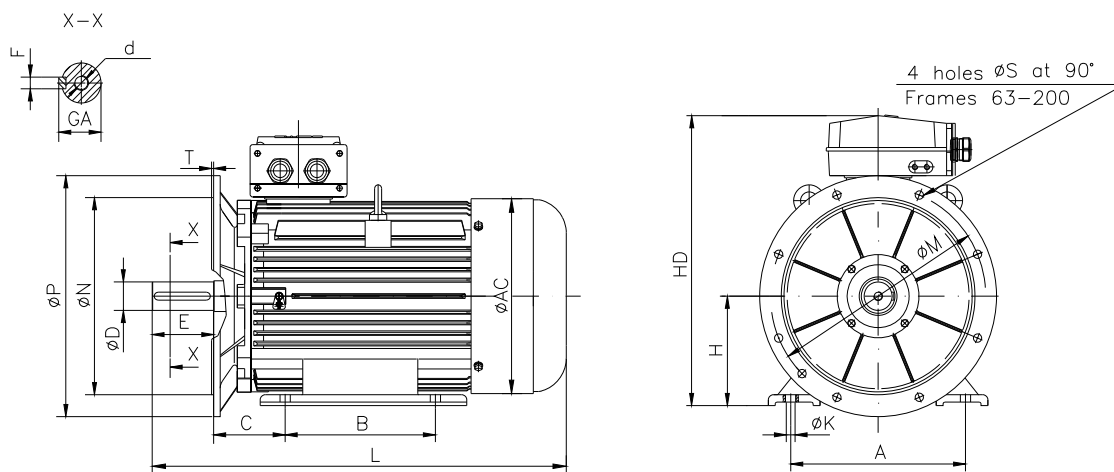
Frame size	Dimensions (mm)																
	Foot mounting									Shaft extension					HD max	AC	L max
A	B	C	H	K	AA	AB	BB	HA	D	E	F	GA	d				
90L-4	140	125	56	90	10	37	170	150	9	24j6	50	8h9	27	M8	272	177	361

**The overall and mounting dimensions
IM 3001; IM 3011**



Frame size	Dimensions (mm)											HD1 max	AC	L max
	Flange mounting (B5)					Shaft extension								
90L-4	N	M	P	S	T	D	E	F	GA	d				
	130	165	200	12	3.5	24j6	50	8h9	27	M8	182	177	361	

**The overall and mounting dimensions
IMB35**



Frame size	Dimensions (mm)																	
	Foot mounting					Flange mounting					Shaft extension					HD max	AC	L max
90L-4	A	B	C	H _{0.5}	K	N	M	P	S	T	D	E	F	GA	d			
	140	125	56	90	10	130	165	200	12	3.5	24j6	50	8h9	27	M8	272	177	361