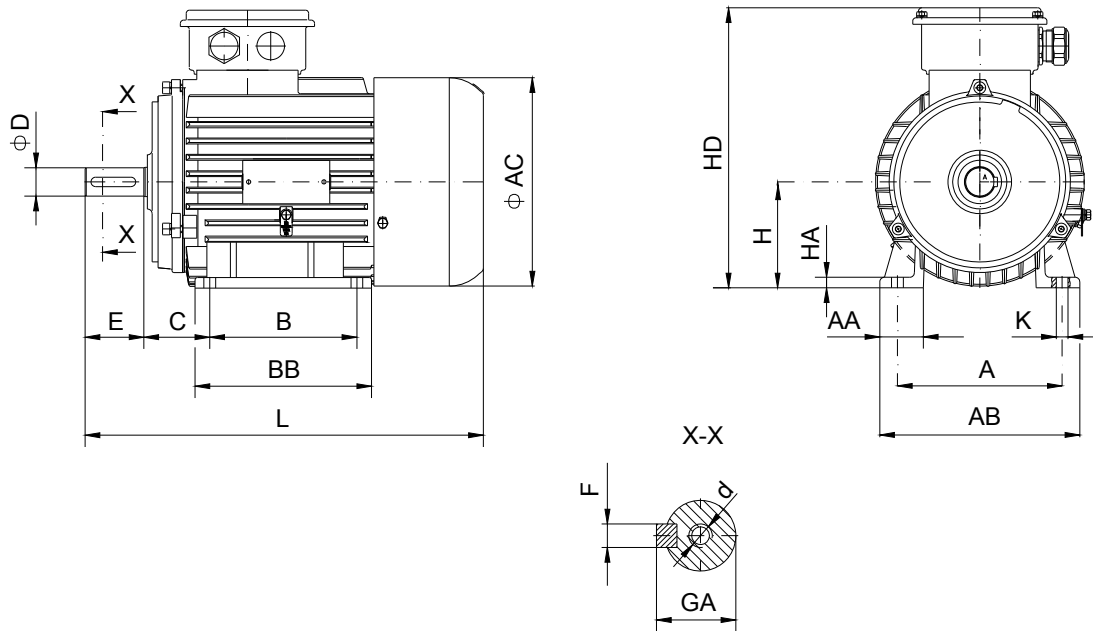


**DATA SHEET**

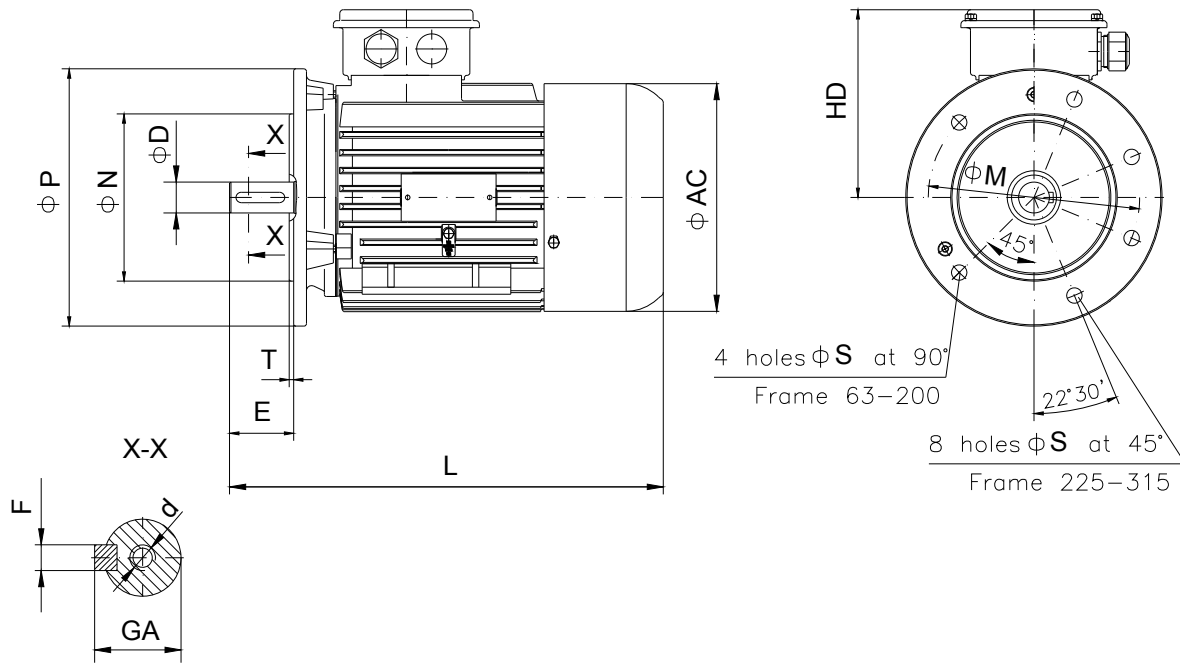
- Type.....ASNA 80b-8
- Reference standard.....IEC 60034-1  
60079-0;  
60079-15
- Rated output..... 0.25 kW
- Rated stator voltage.....400V
- Stator current at 100% load.....1.16 [A]
- Number of poles.....8
- Rated speed.....670 rev/min
- Rated frequency.....50 Hz
- Efficiency at 100% load.....50%
- Power factor at 100% load.....0.62
- Break-down torque.....3 x Mn
- Locked rotor torque.....2.7 x Mn
- Locked rotor current.....3 x In
- Rotor inertia.....0.00399 kgm<sup>2</sup>
- Insulation class.....F
- Direction of rotation.....Both(CW&CCW)
- Protection degree.....≥IP55
- Mounting.....IM
- Cooling method.....IC 411
- Max. ambient temperature.....+40°C
- Altitude.....1000m
- Bearing type.....6304 2Z drive end  
6304 2Z non drive end
- Weight.....17Kg
- Outline drawing.....Page 2
- Vibration level :.....A (acc.IEC 60034-14 )
- Noise level .....acc.IEC 60034-9
- Cable entries.....1xM25x1.5
- Climate execution .....N

**The overall and mounting dimensions  
IM 1001**



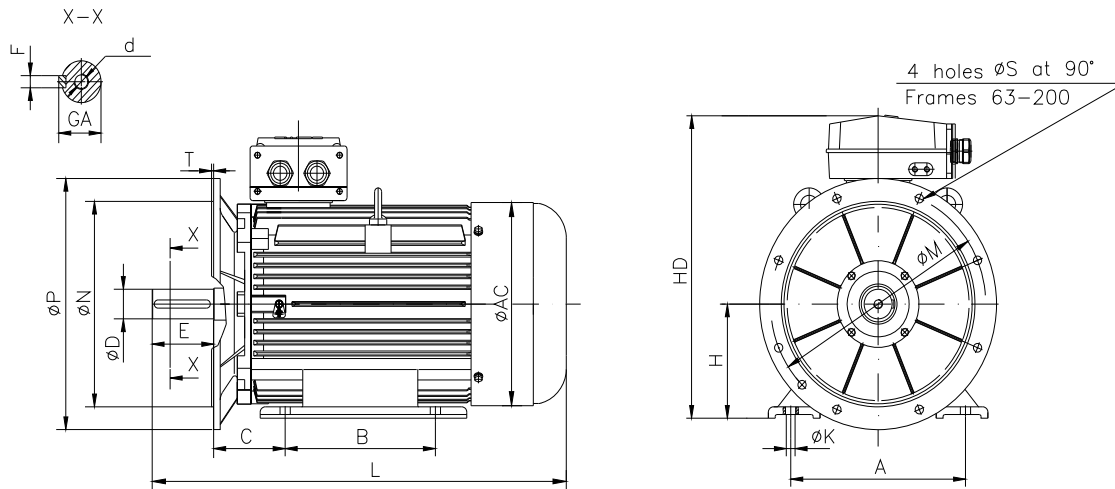
Frame size	Dimensions (mm)														HD max	AC	L max
	Foot mounting									Shaft extension							
80b-8	A	B	C	H	K	AA	AB	BB	HA	D	E	F	GA	d			
	125	100	50	80	10	35	155	125	9	19j6	40	6h9	21.5	M6	254	158	315

**The overall and mounting dimensions  
IM 3001; IM 3011**



Frame size	Dimensions (mm)											HD max	AC	L max
	Flange mounting (B5)					Shaft extension								
80b-8	N	M	P	S	T	D	E	F	GA	d				
	130	165	200	12	3.5	19j6	40	6h9	21.5	M6	174	158	315	

**The overall and mounting dimensions  
IMB35**



Frame size	Dimensions (mm)																HD max	AC	L max
	Foot mounting					Flange mounting					Shaft extension								
80b-8	A	B	C	H <sub>0.5</sub>	K	N	M	P	S	T	D	E	F	GA	d				
	125	100	50	80	10	130	165	200	12	3.5	19j6	40	6h9	21.5	M6	254	158	315	