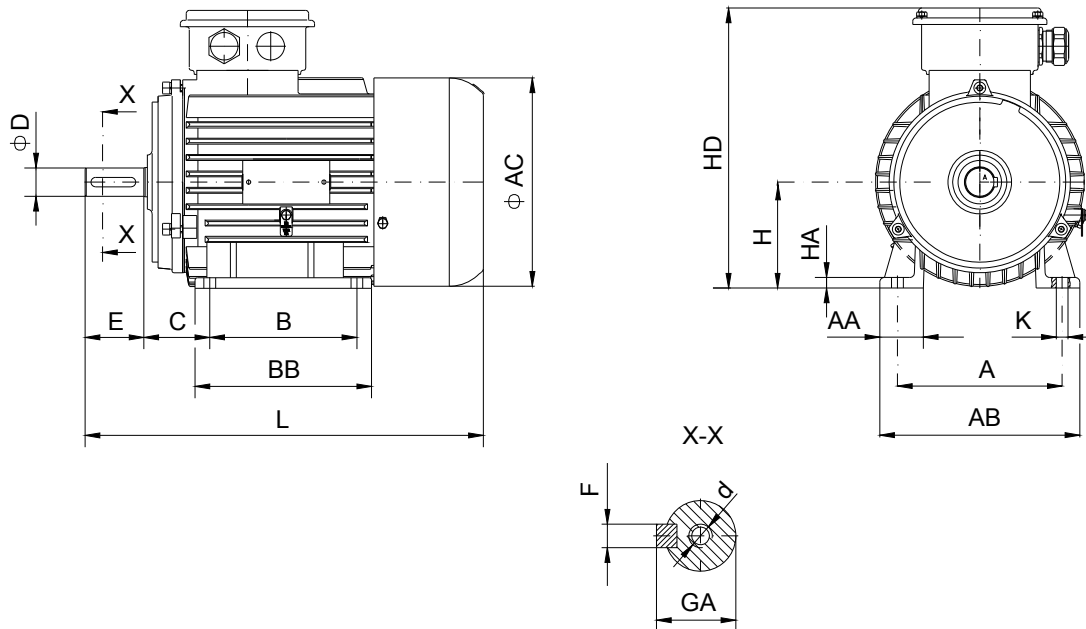


**DATA SHEET**

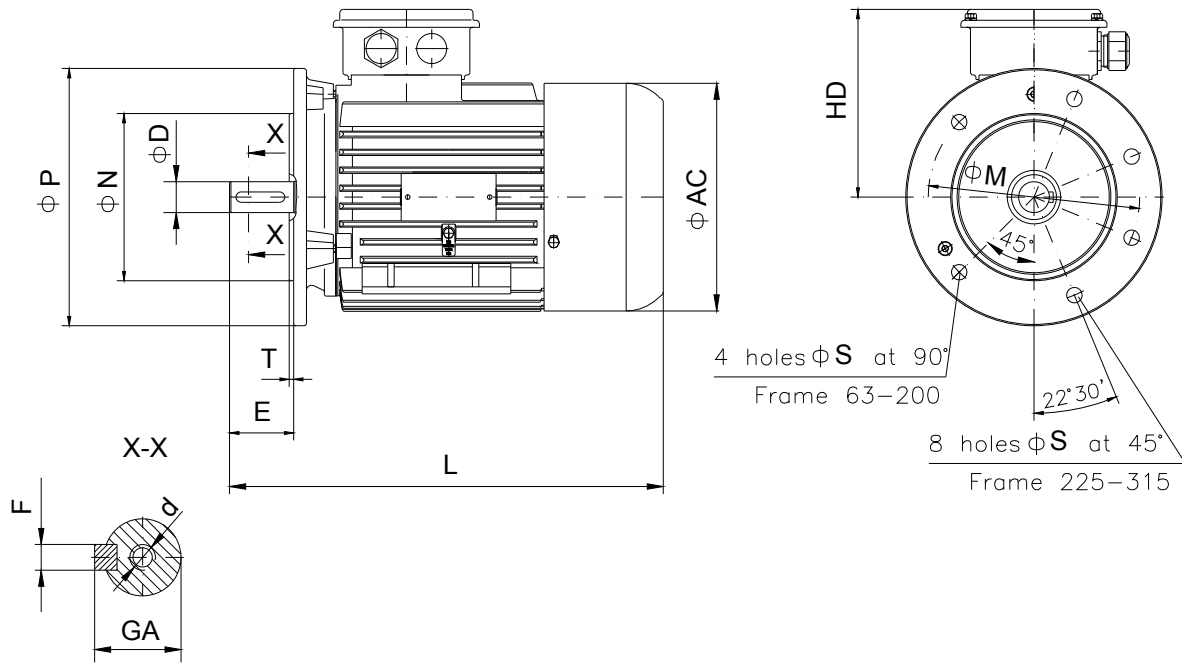
○ Type.....	ASNA 80b-6
○ Reference standard.....	IEC 60034-1 60079-0; 60079-15
○ Rated output.....	0.55 kW
○ Rated stator voltage.....	400V
○ Stator current at 100% .....	1.83 [A]
○ Number of poles.....	6
○ Rated speed.....	900 rev/min
○ Rated frequency.....	50 Hz
○ Efficiency at 100% load.....	61%
○ Power factor at 100% load.....	0.71
○ Break-down torque.....	2.2 x Mn
○ Locked rotor torque.....	2.2 x Mn
○ Locked rotor current.....	3.5 x In
○ Rotor inertia.....	0.00399 kgm <sup>2</sup>
○ Insulation class.....	F
○ Direction of rotation.....	Both(CW&CCW)
○ Protection degree.....	≥IP55
○ Mounting.....	IM
○ Cooling method.....	IC 411
○ Max. ambient temperature.....	+40°C
○ Altitude.....	1000m
○ Bearing type.....	6304 2Z drive end 6304 2Z non drive end
○ Weight.....	17Kg
○ Outline drawing.....	Page 2
○ Vibration level :.....	A (acc.IEC 60034-14 )
○ Noise level .....	acc.IEC 60034-9
○ Cable entries.....	1xM25x1.5
○ Climate execution .....	N

**The overall and mounting dimensions  
IM 1001**



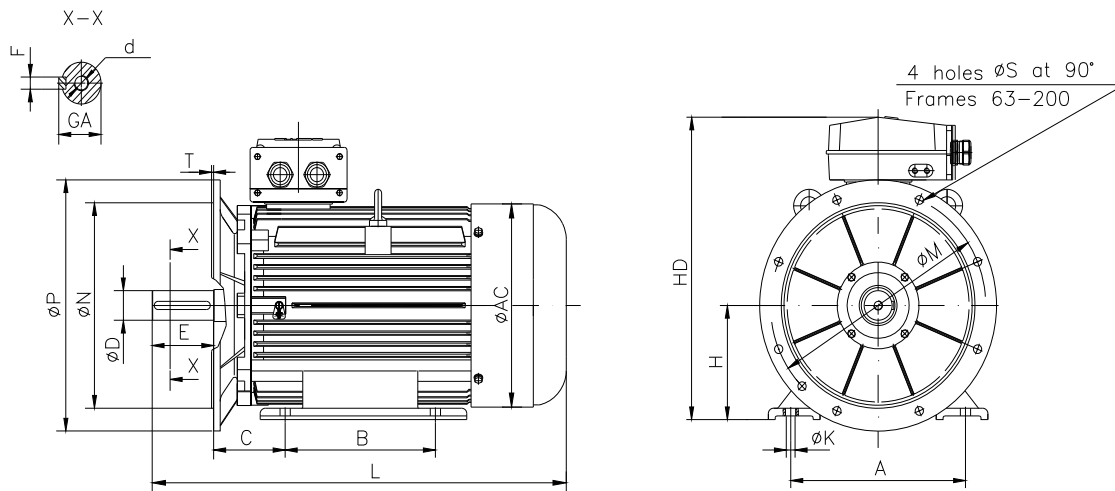
Frame size	Dimensions (mm)																
	Foot mounting									Shaft extension					HD max	AC	L max
A	B	C	H	K	AA	AB	BB	HA	D	E	F	GA	d				
80b-6	125	100	50	80	10	35	155	125	9	19j6	40	6h9	21.5	M6	254	158	315

**The overall and mounting dimensions  
IM 3001; IM 3011**



Frame size	Dimensions (mm)											HD max	AC	L max
	Flange mounting (B5)					Shaft extension								
80b-6	N	M	P	S	T	D	E	F	GA	d				
	130	165	200	12	3.5	19j6	40	6h9	21.5	M6	174	158	315	

**The overall and mounting dimensions  
IMB35**



Frame size	Dimensions (mm)																	
	Foot mounting					Flange mounting					Shaft extension					HD max	AC	L max
80b-6	A	B	C	H <sub>0.5</sub>	K	N	M	P	S	T	D	E	F	GA	d			
	125	100	50	80	10	130	165	200	12	3.5	19j6	40	6h9	21.5	M6	254	158	315