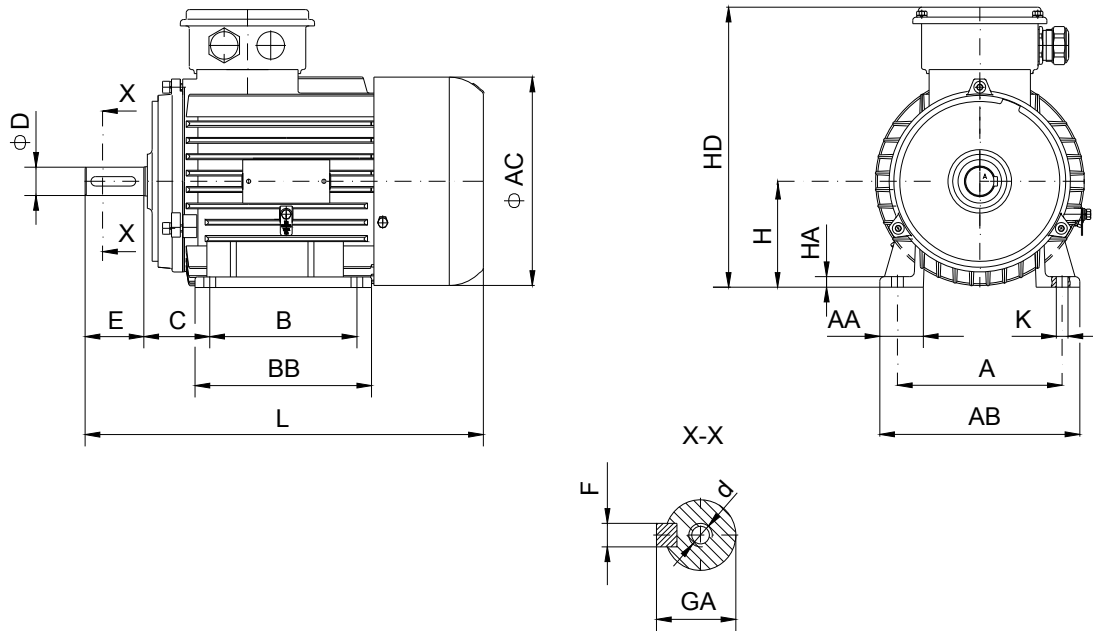


DATA SHEET

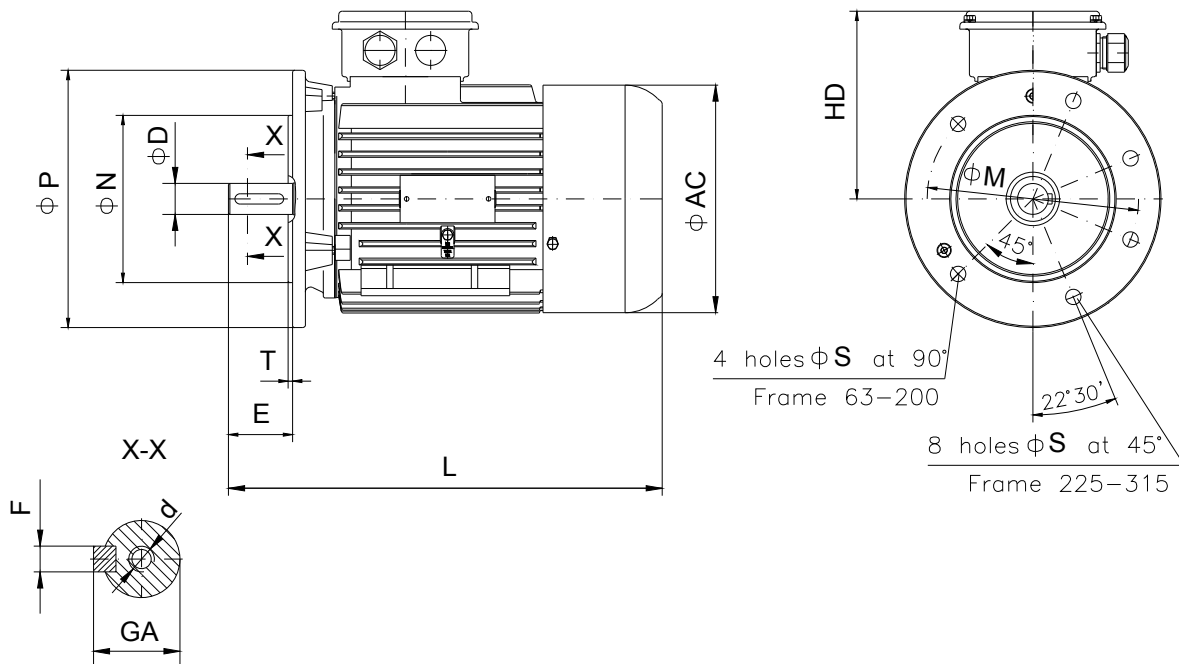
- Type.....ASNA 71b-4
- Reference standard.....IEC 60034-1
60079-0;
60079-15
- Rated output..... 0.37 kW
- Rated stator voltage.....400V
- Stator current at 100% load1.24 [A]
- Number of poles.....4
- Rated speed.....1330 rev/min
- Rated frequency.....50 Hz
- Efficiency at 100% load.....60%
- Power factor at 100% load.....0.72
- Break-down torque.....2.3 x Mn
- Locked rotor torque.....2.3 x Mn
- Locked rotor current.....3.5 x In
- Rotor inertia.....0.00161 kgm²
- Insulation class.....F
- Direction of rotation.....Both(CW&CCW)
- Protection degree.....≥IP55
- Mounting.....IM
- Cooling method.....IC 411
- Max. ambient temperature.....+40°C
- Altitude.....1000m
- Bearing type.....6203 2Z drive end
6203 2Z non drive end
- Weight.....11.5Kg
- Outline drawing.....Page 2
- Vibration level :.....A (acc.IEC 60034-14)
- Noise levelacc.IEC 60034-9
- Cable entries.....1xM25x1.5
- Climate executionN

**The overall and mounting dimensions
IM 1001**



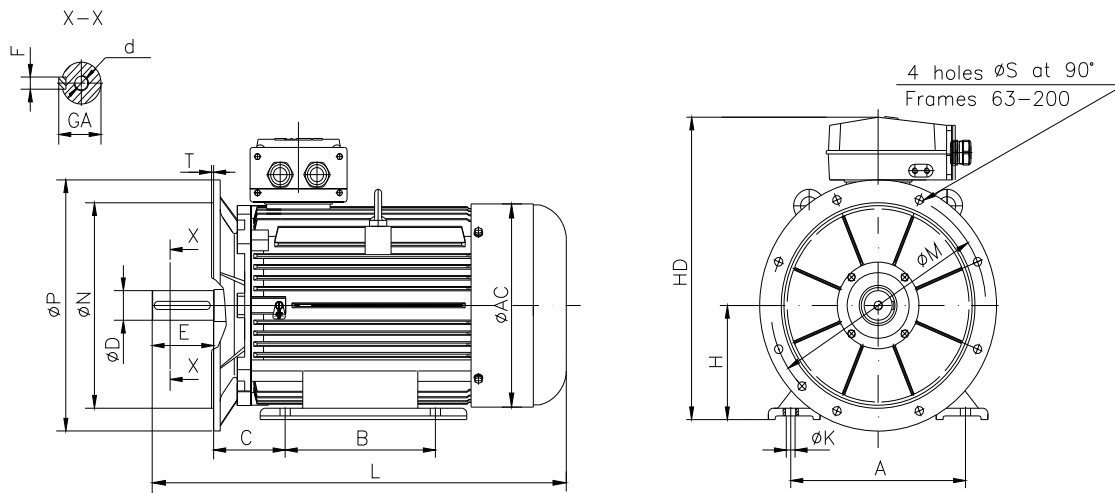
| Frame size | Dimensions (mm) | | | | | | | | | | | | | | | | |
|------------|-----------------|----|----|----|----|----|-----|-----|---|-----------------|----|-----|----|----|--------|-----|-------|
| | Foot mounting | | | | | | | | | Shaft extension | | | | | HD max | AC | L max |
| A | B | C | H | K | AA | AB | BB | HA | D | E | F | GA | d | | | | |
| 71b-4 | 112 | 90 | 45 | 71 | 7 | 37 | 141 | 125 | 9 | 14j6 | 30 | 5h9 | 16 | M5 | 222 | 140 | 295 |

**The overall and mounting dimensions
IM 3001; IM 3011**



| Frame size | Dimensions (mm) | | | | | | | | | | | | |
|------------|----------------------|-----|-----|----|-----|-----------------|----|-----|----|----|--------|-----|-------|
| | Flange mounting (B5) | | | | | Shaft extension | | | | | HD max | AC | L max |
| N | M | P | S | T | D | E | F | GA | d | | | | |
| 71b-4 | 110 | 130 | 160 | 10 | 3.5 | 14j6 | 30 | 5h9 | 16 | M5 | 151 | 140 | 295 |

**The overall and mounting dimensions
IMB35**



| Frame size | Dimensions (mm) | | | | | | | | | | | | | | | | | |
|------------|-----------------|----|----|------------------|---|-----------------|-----|-----|----|-----|-----------------|----|-----|----|----|--------|-----|-------|
| | Foot mounting | | | | | Flange mounting | | | | | Shaft extension | | | | | HD max | AC | L max |
| 71b-4 | A | B | C | H _{0,5} | K | N | M | P | S | T | D | E | F | GA | d | | | |
| | 112 | 90 | 45 | 71 | 7 | 110 | 130 | 160 | 10 | 3.5 | 14j6 | 30 | 5h9 | 16 | M5 | 222 | 140 | 295 |