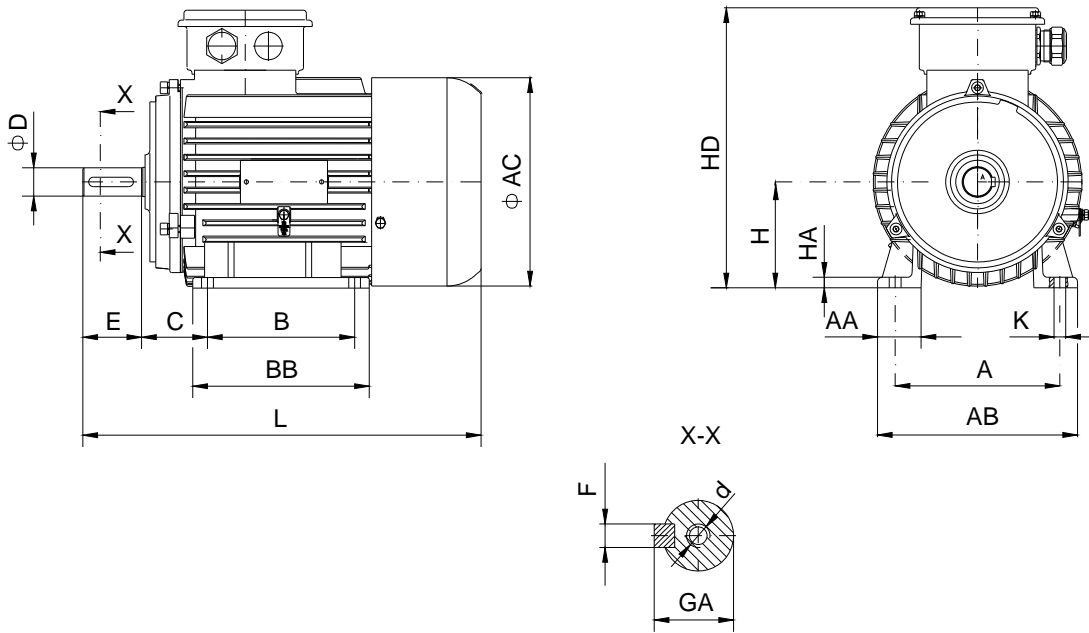


DATA SHEET

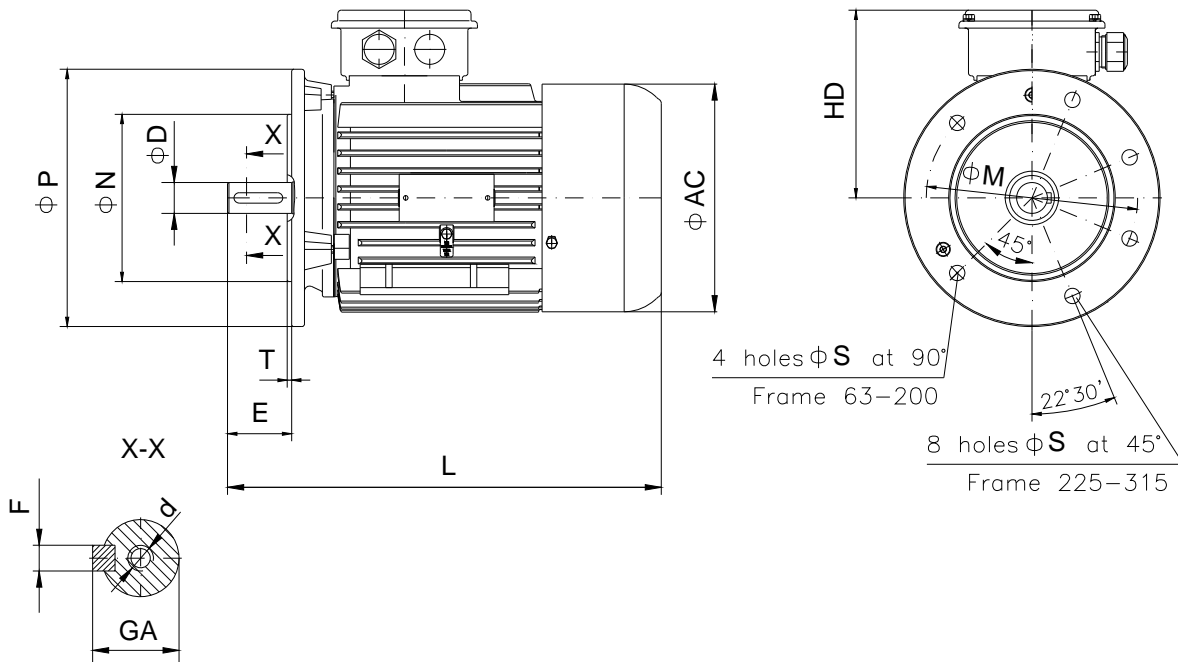
- Type.....ASNA 71a-6
- Reference standard.....IEC 60034-1
60079-0;
60079-15
- Rated output..... 0.18 kW
- Rated stator voltage.....400 V
- Stator current at 100% load.....0.71 A
- Number of poles.....6
- Rated speed.....895 rev/min
- Rated dutyS1 (continuous duty)
- Rated frequency.....50 Hz
- Efficiency at 100% load.....49%
- Power factor at 100% load.....0.75
- Break-down torque.....2.3 x Mn
- Locked rotor torque.....2.1 x Mn
- Locked rotor current.....3.0 x In
- Rotor inertia.....0.00170 kgm²
- Insulation class.....F
- Direction of rotation.....Both(CW&CCW)
- Protection degree.....IP55
- Mounting.....IM
- Cooling method.....IC 411
- Max. ambient temperature.....+40°C
- Altitude.....1000m
- Bearing type.....6203 2Z drive end
6203 2Z non drive end
- Weight.....10.5 Kg
- Outline drawing.....Page 2
- Vibration level :.....A (acc.IEC 60034-14)
- Noise levelacc.IEC 60034-9
- Cable entries.....1xM25x1.5
- Climate executionN

**The overall and mounting dimensions
IM 1001**



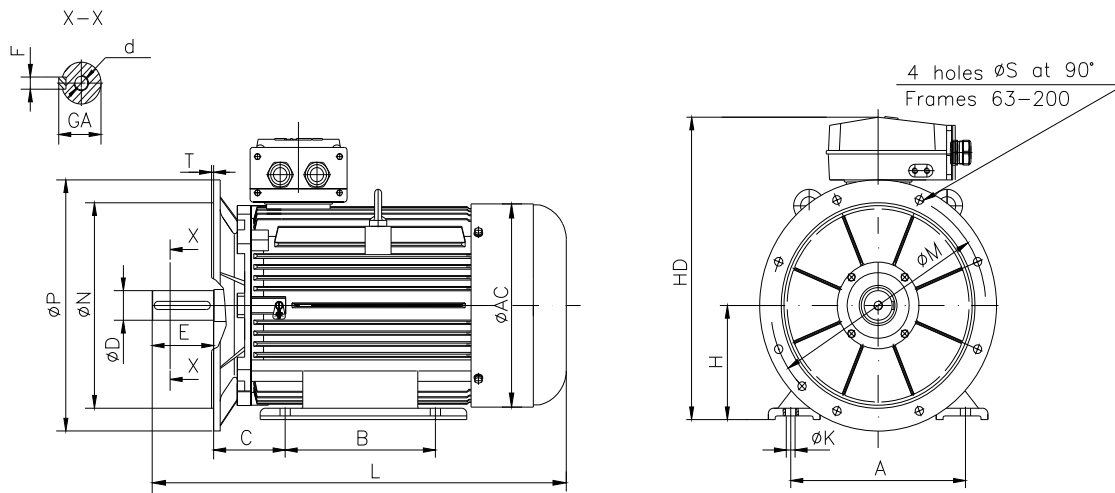
Frame size	Dimensions (mm)																
	Foot mounting									Shaft extension					HD max	AC	L max
71a-6	A	B	C	H	K	AA	AB	BB	HA	D	E	F	GA	d			
	112	90	45	71	7	37	141	125	9	14j6	30	5h9	16	M5	222	140	295

**The overall and mounting dimensions
IM 3001; IM 3011**



Frame size	Dimensions (mm)											HD max	AC	L max
	Flange mounting (B5)					Shaft extension								
	N	M	P	S	T	D	E	F	GA	d				
71a-6	110	130	160	10	3.5	14j6	30	5h9	16	M5	151	140	295	

**The overall and mounting dimensions
IMB35**



Frame size	Dimensions (mm)																HD max	AC	L max
	Foot mounting					Flange mounting					Shaft extension								
71a-6	A	B	C	H _{0,5}	K	N	M	P	S	T	D	E	F	GA	d				
	112	90	45	71	7	110	130	160	10	3.5	14j6	30	5h9	16	M5	222	140	295	