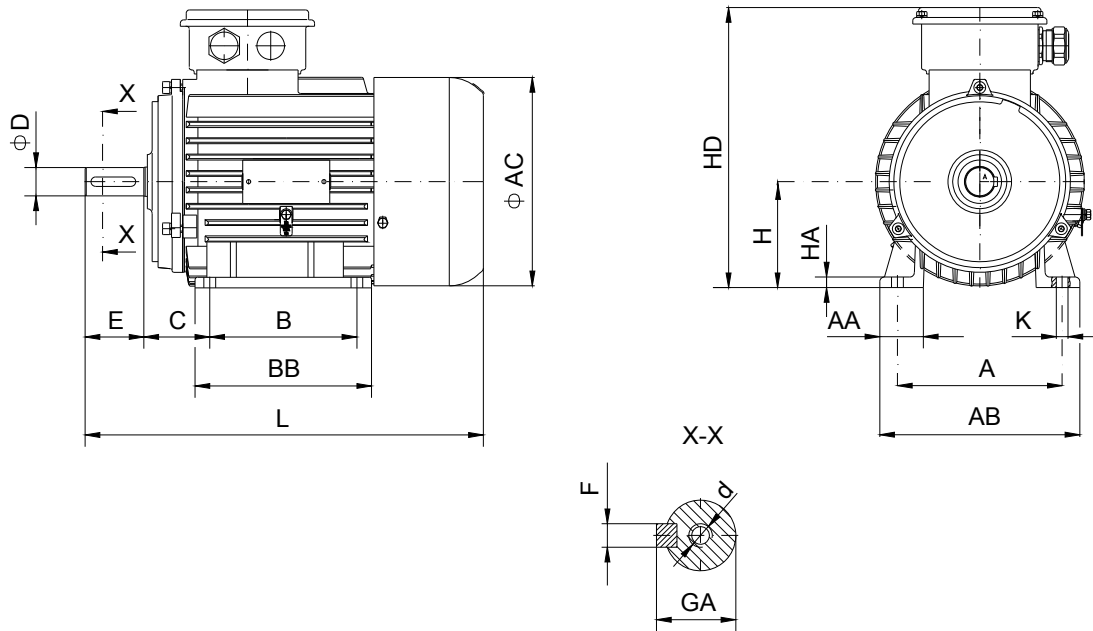


DATA SHEET

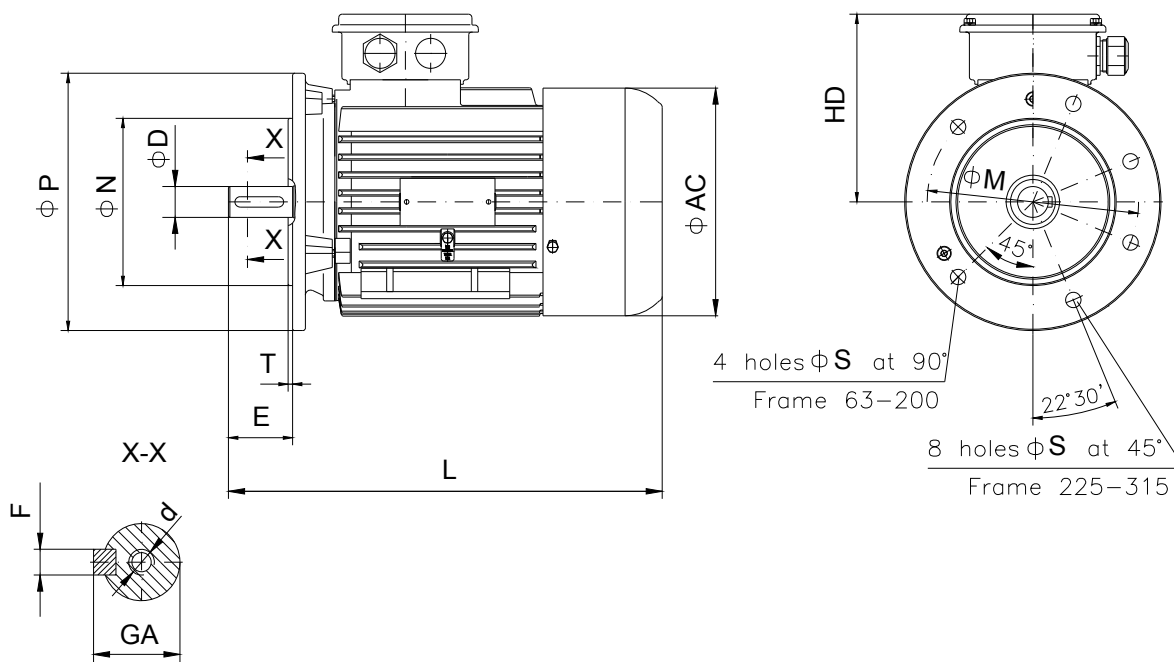
○ Type.....	ASNA 71-8
○ Reference standard.....	IEC 60034-1 60079-0; 60079-15
○ Rated output.....	0.09 kW
○ Rated stator voltage.....	400 V
○ Stator current at 100% load.....	0.54 A
○ Number of poles.....	8
○ Rated speed.....	630 rev/min
○ Rated duty	S1 (continuous duty)
○ Rated frequency.....	50 Hz
○ Efficiency at 100% load.....	40%
○ Power factor at 100% load.....	0.60
○ Break-down torque.....	2.7 x Mn
○ Locked rotor torque.....	2.6 x Mn
○ Locked rotor current.....	2.9 x In
○ Rotor inertia.....	0.00220 kgm ²
○ Insulation class.....	F
○ Direction of rotation.....	Both(CW&CCW)
○ Protection degree.....	≥IP55
○ Mounting.....	IM
○ Cooling method.....	IC 411
○ Max. ambient temperature.....	+40°C
○ Altitude.....	1000m
○ Bearing type.....	6203 2Z drive end 6203 2Z non drive end
○ Weight.....	11.5 Kg
○ Outline drawing.....	Page 2
○ Vibration level :	A (acc.IEC 60034-14)
○ Noise level	acc.IEC 60034-9
○ Cable entries.....	1xM25x1.5
○ Climate execution	N

**The overall and mounting dimensions
IM 1001**



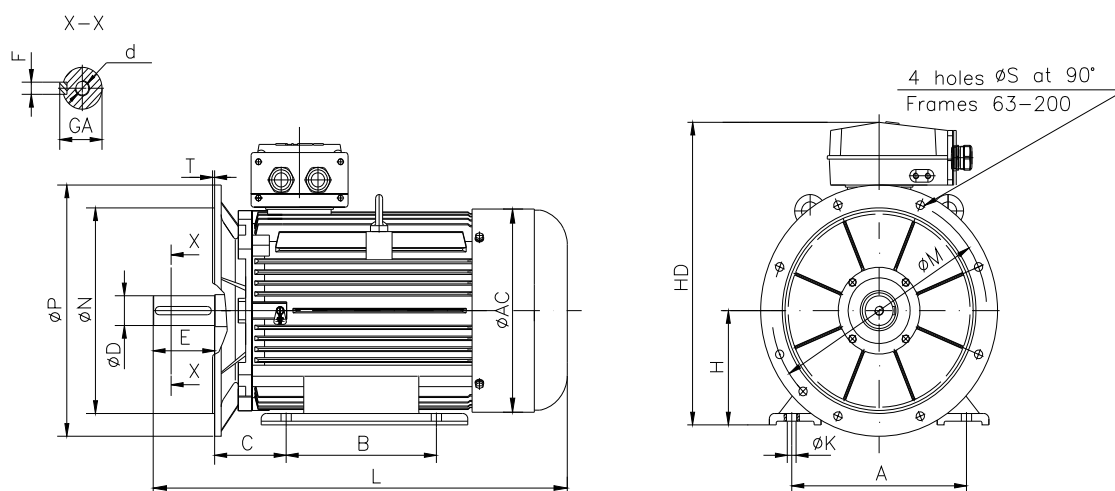
Frame size	Dimensions (mm)																
	Foot mounting									Shaft extension					HD max	AC	L max
A	B	C	H	K	AA	AB	BB	HA	D	E	F	GA	d				
71-8	112	90	45	71	7	37	141	125	9	14j6	30	5h9	16	M5	222	140	295

**The overall and mounting dimensions
IM 3001; IM 3011**



Frame size	Dimensions (mm)											HD max	AC	L max
	Flange mounting (B5)					Shaft extension								
71-8	N	M	P	S	T	D	E	F	GA	d	151	140	295	
	110	130	160	10	3.5	14j6	30	5h9	16	M5				

**The overall and mounting dimensions
IMB35**



Frame size	Dimensions (mm)																	
	Foot mounting					Flange mounting					Shaft extension					HD max	AC	L max
71-8	A	B	C	H _{0.5}	K	N	M	P	S	T	D	E	F	GA	d			
	112	90	45	71	7	110	130	160	10	3.5	14j6	30	5h9	16	M5	222	140	295