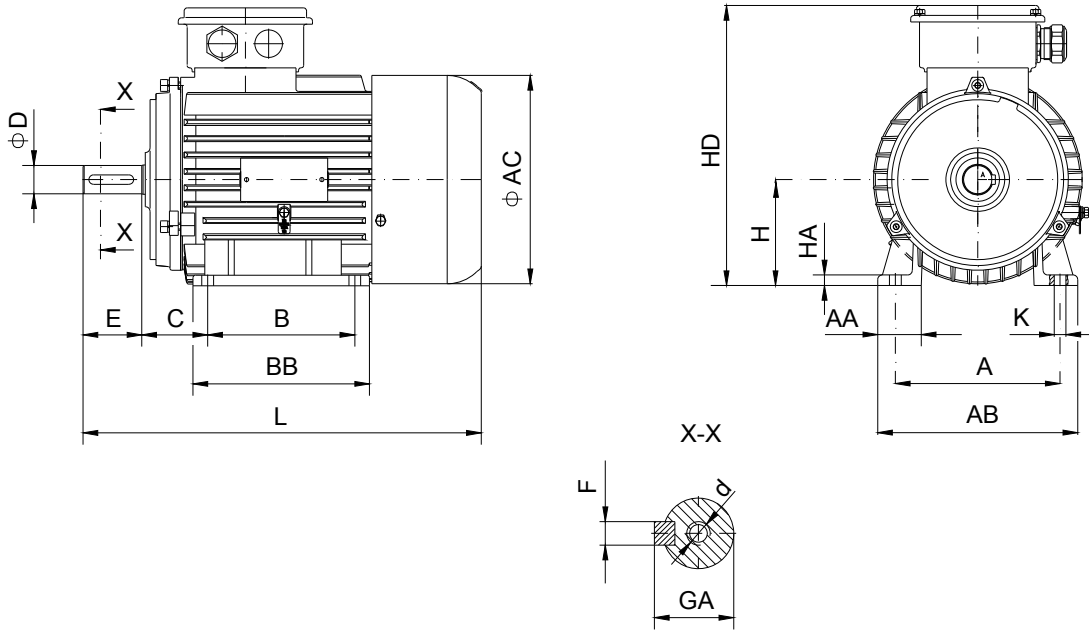


**DATA SHEET**

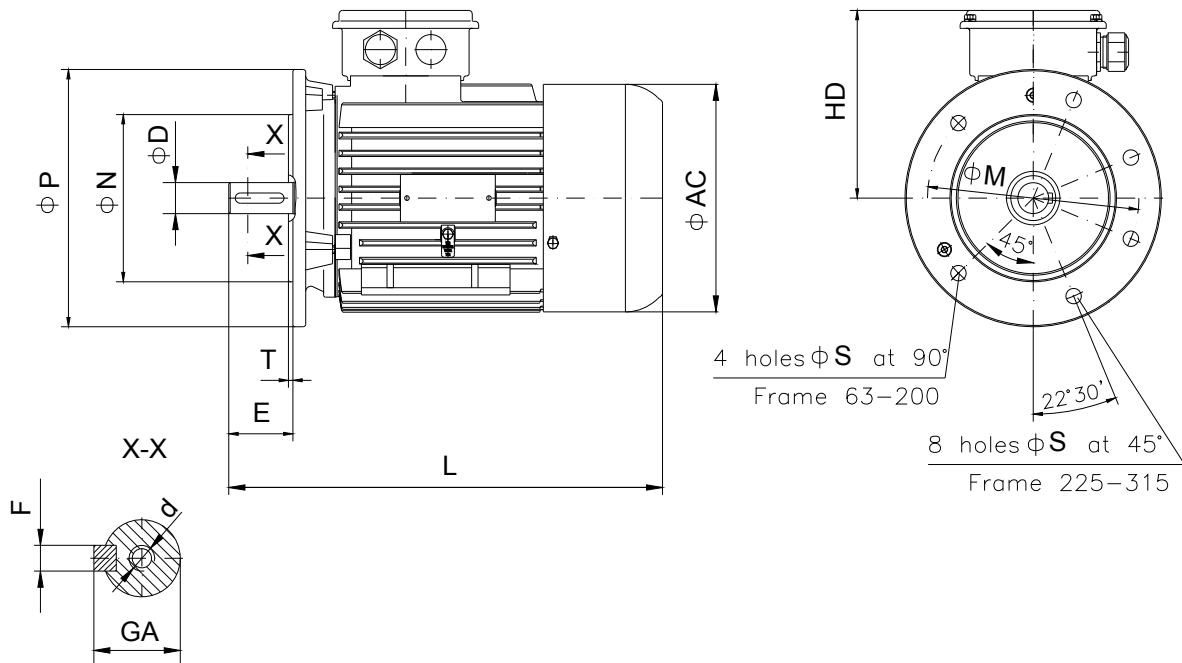
○ Type.....	ASNA 63b-2
○ Reference standard.....	IEC 60034-1 60079-0; 60079-15
○ Rated output.....	0.25 kW
○ Rated stator voltage.....	400 V
○ Stator current at 100% load.....	0.8 A
○ Number of poles.....	2
○ Rated speed.....	2650 rev/min
○ Rated duty .....	S1 (continuous duty)
○ Rated frequency.....	50 Hz
○ Efficiency at 100% load.....	60%
○ Power factor at 100% load.....	0.75
○ Break-down torque.....	3.5 x Mn
○ Locked rotor torque.....	3.5 x Mn
○ Locked rotor current.....	4.5 x In
○ Rotor inertia.....	0.0009 kgm <sup>2</sup>
○ Insulation class.....	F
○ Direction of rotation.....	Both(CW&CCW)
○ Protection degree.....	≥IP55
○ Mounting.....	IM
○ Cooling method.....	IC 411
○ Max. ambient temperature.....	+40°C
○ Altitude.....	1000m
○ Bearing type.....	6202 2Z drive end 6202 2Z non drive end
○ Weight.....	8.5 Kg
○ Outline drawing.....	Page 2
○ Vibration level : .....	A (acc.IEC 60034-14 )
○ Noise level .....	acc.IEC 60034-9
○ Cable entries.....	1xM25x1.5
○ Climate execution .....	N

**The overall and mounting dimensions  
IM 1001**



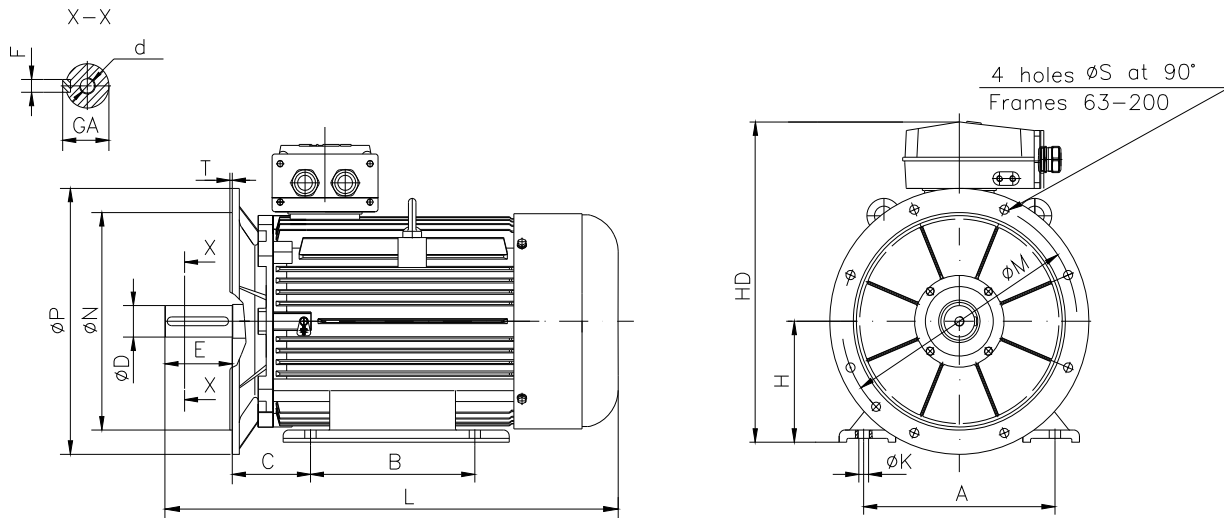
Frame size	Dimensions (mm)																
	Foot mounting								Shaft extension					HD max	AC	L max	
63b-2	A	B	C	H	K	AA	AB	BB	HA	D	E	F	GA				d
		100	80	40	63	7	31	131	104	9	11j6	23	4h9	12.5	M4	200	125

**The overall and mounting dimensions  
IM 3001; IM 3011**



Frame size	Dimensions (mm)											HD max	AC	L max
	Flange mounting (B5)					Shaft extension								
	N	M	P	S	T	D	E	F	GA	d				
63b-2	95	115	140	10	3	11j6	23	4h9	12.5	M4	137	125	259	

**The overall and mounting dimensions  
IM 2001**



Frame size	Dimensions (mm)															HD max	L max
	Foot mounting					Flange mounting					Shaft extension						
	A	B	C	H <sub>0.5</sub>	K	N	M	P	S	T	D	E	F	GA	d		
63b-2	100	80	40	63	7	95	115	140	10	3	11j6	23	4h9	12.5	M4	200	259