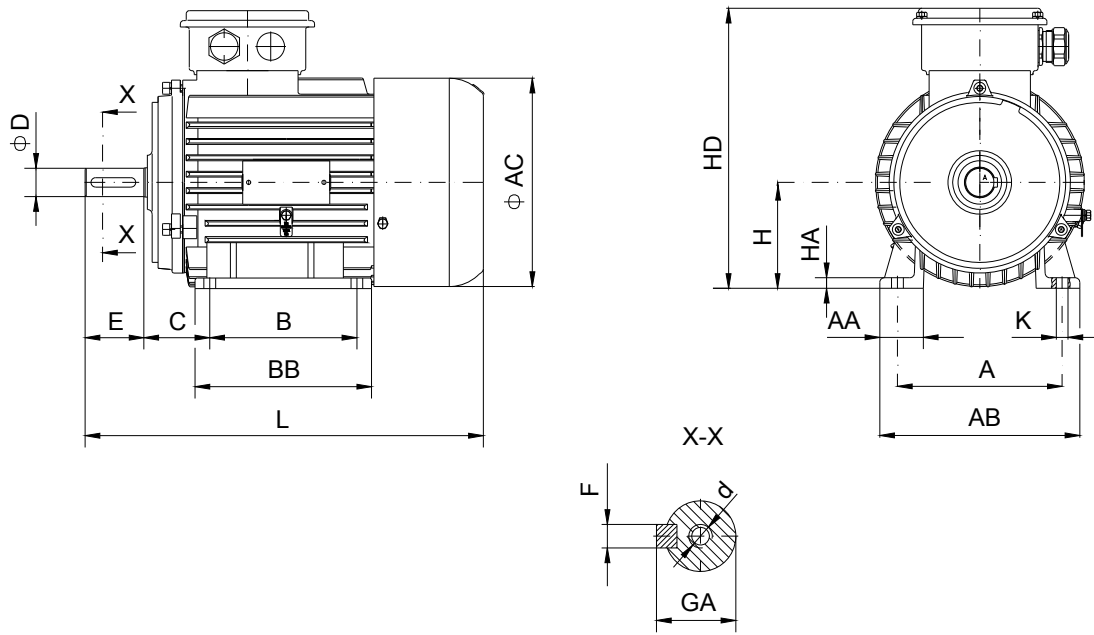


**DATA SHEET**

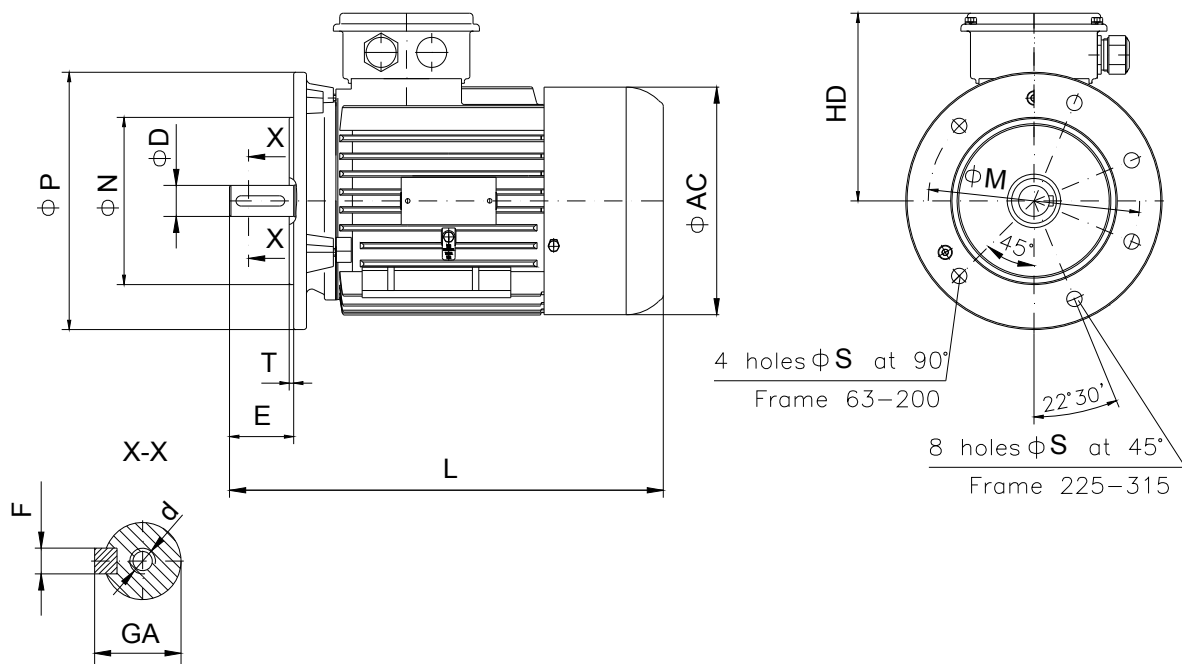
|                                    |  |
|------------------------------------|--|
| ○ Type.....                        | ASNA 63a-4                                 |
| ○ Reference standard.....          | IEC 60034-1<br>60079-0;<br>60079-15        |
| ○ Rated output.....                | 0.12 kW                                    |
| ○ Rated stator voltage.....        | 400 V                                      |
| ○ Stator current at 100% load..... | 0.49 A                                     |
| ○ Number of poles.....             | 4  |
| ○ Rated speed.....                 | 1320 rev/min                               |
| ○ Rated duty .....                 | S1 (continuous duty)                       |
| ○ Rated frequency.....             | 50 Hz                                      |
| ○ Efficiency at 100% load.....     | 51%  |
| ○ Power factor at 100% load.....   | 0.69                                       |
| ○ Break-down torque.....           | 2.8 x Mn                                   |
| ○ Locked rotor torque.....         | 2.8 x Mn                                   |
| ○ Locked rotor current.....        | 3.5 x In                                   |
| ○ Rotor inertia.....               | 0.00132 kgm <sup>2</sup>                   |
| ○ Insulation class.....            | F  |
| ○ Direction of rotation.....       | Both(CW&CCW)                               |
| ○ Protection degree.....           | ≥IP55                                      |
| ○ Mounting.....                    | IM   |
| ○ Cooling method.....              | IC 411                                     |
| ○ Max. ambient temperature.....    | +40°C                                      |
| ○ Altitude.....                    | 1000m                                      |
| ○ Bearing type.....                | 6202 2Z drive end<br>6202 2Z non drive end |
| ○ Weight.....                      | 8.5 Kg                                     |
| ○ Outline drawing.....             | Page 2                                     |
| ○ Vibration level : .....          | A (acc.IEC 60034-14 )                      |
| ○ Noise level .....                | acc.IEC 60034-9                            |
| ○ Cable entries.....               | 1xM25x1.5                                  |
| ○ Climate execution .....          | N  |

**The overall and mounting dimensions  
IM 1001**



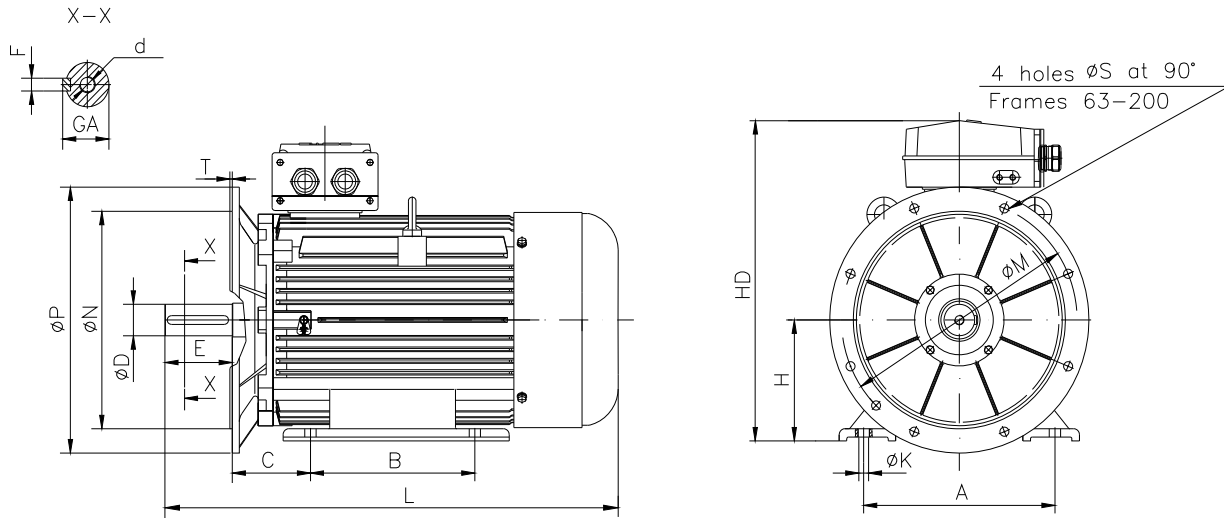
| Frame size | Dimensions (mm) |    |    |    |   |                 |     |     |    |      |    |     |      |    | HD max | AC  | L max |
|------------|-----------------|----|----|----|---|-----------------|-----|-----|----|------|----|-----|------|----|--------|-----|-------|
|            | Foot mounting   |    |    |    |   | Shaft extension |     |     |    |      |    |     |      |    |        |     |       |
|            | A               | B  | C  | H  | K | AA              | AB  | BB  | HA | D    | E  | F   | GA   | d  |        |     |       |
| 63a-4      | 100             | 80 | 40 | 63 | 7 | 31              | 131 | 104 | 9  | 11j6 | 23 | 4h9 | 12.5 | M4 | 200    | 125 | 259   |

**The overall and mounting dimensions  
IM 3001; IM 3011**



| Frame size | Dimensions (mm)      |     |     |    |   |                 |    |     |      |    |     | HD max | AC  | L max |
|------------|----------------------|-----|-----|----|---|-----------------|----|-----|------|----|-----|--------|-----|-------|
|            | Flange mounting (B5) |     |     |    |   | Shaft extension |    |     |      |    |     |        |     |       |
| 63a-4      | N                    | M   | P   | S  | T | D               | E  | F   | GA   | d  |     |        |     |       |
|            | 95                   | 115 | 140 | 10 | 3 | 11j6            | 23 | 4h9 | 12.5 | M4 | 137 | 125    | 259 |       |

**The overall and mounting dimensions  
IM 2001**



| Frame size | Dimensions (mm) |    |    |                  |   |                 |     |     |    |   |                 |    |     |      |    |     | HD max | L max |
|------------|-----------------|----|----|------------------|---|-----------------|-----|-----|----|---|-----------------|----|-----|------|----|-----|--------|-------|
|            | Foot mounting   |    |    |                  |   | Flange mounting |     |     |    |   | Shaft extension |    |     |      |    |     |        |       |
| 63a-4      | A               | B  | C  | H <sub>0,5</sub> | K | N               | M   | P   | S  | T | D               | E  | F   | GA   | d  |     |        |       |
|            | 100             | 80 | 40 | 63               | 7 | 95              | 115 | 140 | 10 | 3 | 11j6            | 23 | 4h9 | 12.5 | M4 | 200 | 259    |       |