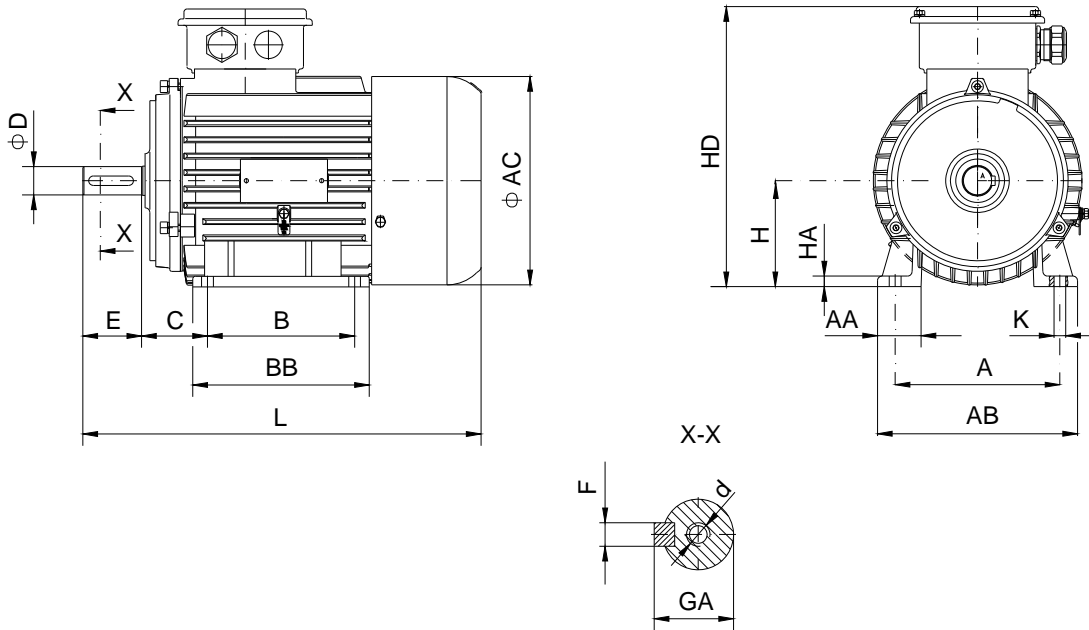


**DATA SHEET**

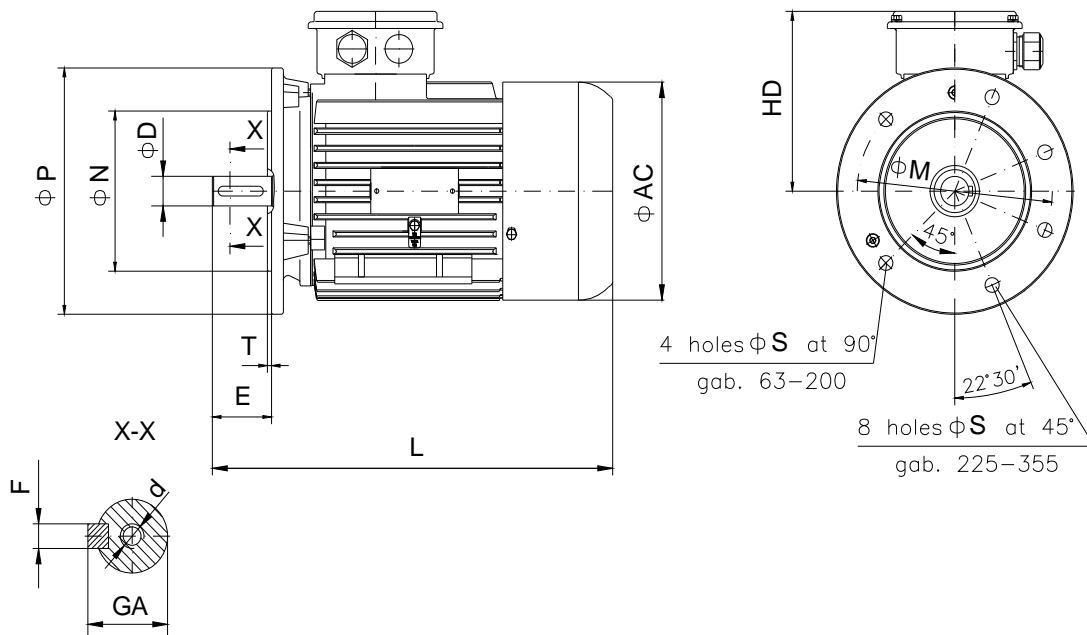
○ Type.....	ASNA 63a-2
○ Reference standard.....	IEC 60034-1 60079-0; 60079-15
○ Rated output.....	0.18 kW
○ Rated stator voltage.....	400V
○ Stator current at 100% load.....	0.63 [A]
○ Number of poles.....	2
○ Rated speed.....	2640 rev/min
○ Rated duty .....	S1 (continuous duty)
○ Rated frequency.....	50 Hz
○ Efficiency at 100% load.....	55%
○ Power factor at 100% load.....	0.75
○ Break-down torque.....	2.8 x Mn
○ Locked rotor torque.....	2.8 x Mn
○ Locked rotor current.....	4.5 x In
○ Rotor inertia.....	0.0008 kgm <sup>2</sup>
○ Insulation class.....	F
○ Direction of rotation.....	Both(CW&CCW)
○ Protection degree.....	≥IP55
○ Mounting.....	IM
○ Cooling method.....	IC 411
○ Max. ambient temperature.....	+40°C
○ Altitude.....	1000m
○ Bearing type.....	6202 2Z drive end 6202 2Z non drive end
○ Weight.....	8 Kg
○ Outline drawing.....	Page 2
○ Vibration level :.....	A (acc.IEC 60034-14 )
○ Noise level .....	acc.IEC 60034-9
○ Cable entries.....	1xM25x1.5
○ Climate execution .....	N

**The overall and mounting dimensions  
IM 1001**



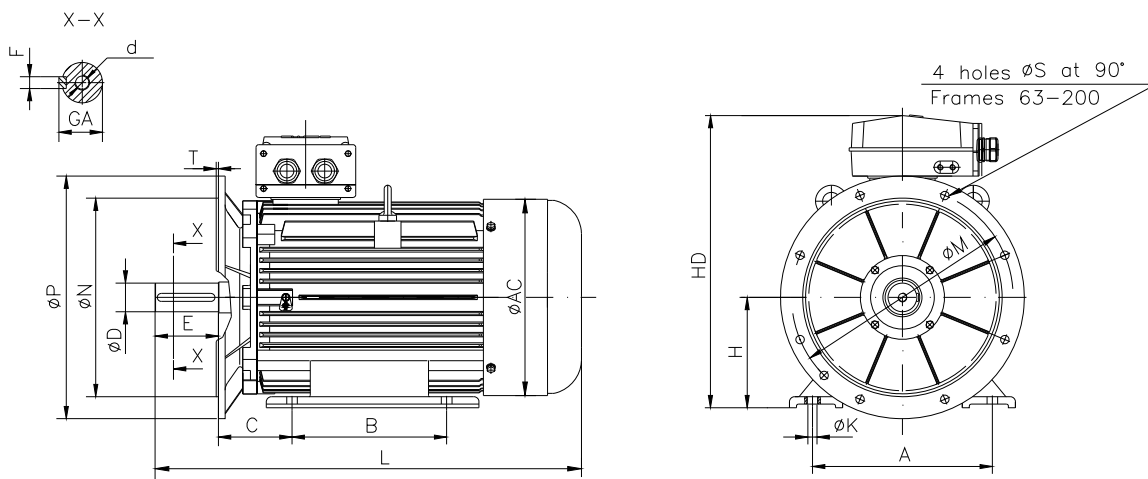
Frame size	Dimensions (mm)																
	Foot mounting									Shaft extension					HD max	AC	L max
A	B	C	H	K	AA	AB	BB	HA	D	E	F	GA	d				
63a-2	100	80	40	63	7	31	131	104	9	11j6	23	4h9	12.5	M4	200	125	259

**The overall and mounting dimensions  
IM 3001; IM 3011**



Frame size	Dimensions (mm)												
	Flange mounting (B5)					Shaft extension					HD max	AC	L max
N	M	P	S	T	D	E	F	GA	d				
63a-2	95	115	140	10	3	11j6	23	4h9	12.5	M4	137	125	259

**The overall and mounting dimensions  
IMB35**



Frame size	Dimensions (mm)															HD max	L max
	Foot mounting					Flange mounting					Shaft extension						
	A	B	C	H <sub>0.5</sub>	K	N	M	P	S	T	D	E	F	GA	d		
63a-2	100	80	40	63	7	95	115	140	10	3	11j6	23	4h9	12.5	M4	200	259