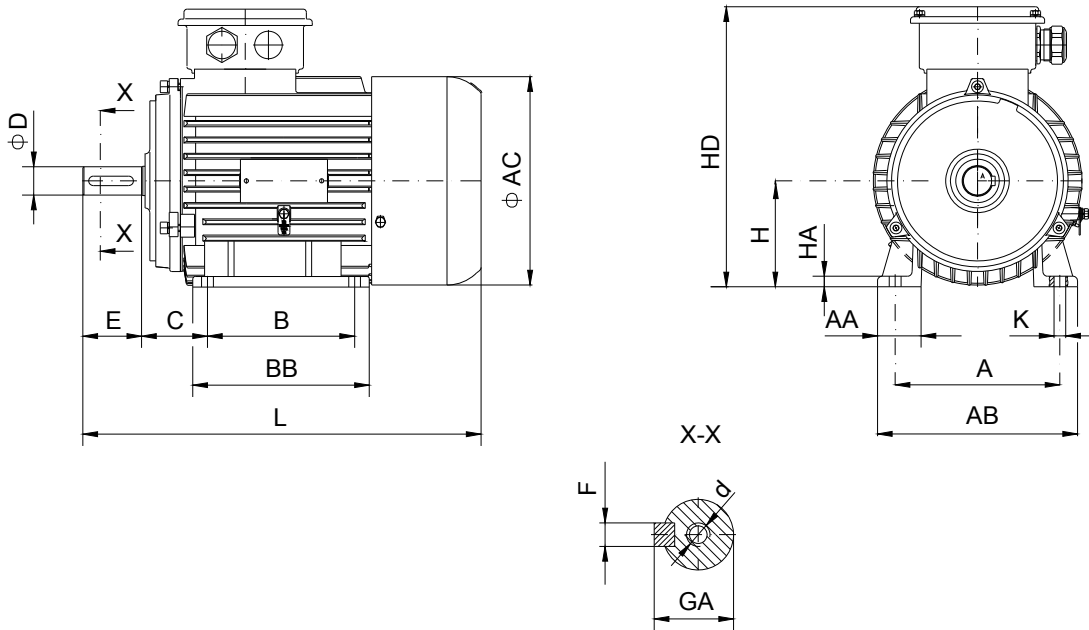


DATA SHEET

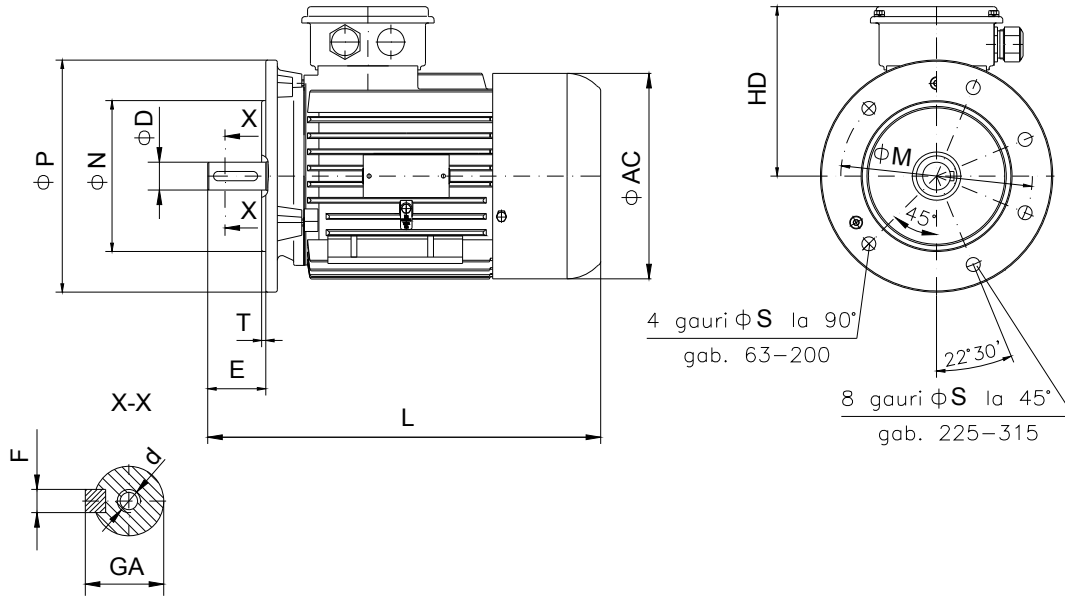
- Type.....ASNA 100Lb-8
- Reference standard.....IEC 60034-1
60079-0;
60079-15
- Rated output..... 1.1 kW
- Rated stator voltage.....400V
- Stator current at 100% load.....3.59 [A]
- Number of poles.....8
- Rated speed.....700 rev/min
- Rated frequency.....50 Hz
- Efficiency at 100% load.....66%
- Power factor at 100% load.....0.67
- Break-down torque.....1.9 x Mn
- Locked rotor torque.....2.2 x Mn
- Locked rotor current.....4 x In
- Rotor inertia.....0.01542 kgm²
- Insulation class.....F
- Direction of rotation.....Both(CW&CCW)
- Protection degree.....≥IP55
- Mounting.....IM
- Cooling method.....IC 411
- Max. ambient temperature.....+ 40°C
- Altitude.....1000m
- Bearing type.....6306 2Z drive end
6306 2Z non drive end
- Weight.....33Kg
- Outline drawing.....Page 2
- Vibration level :.....A (acc.IEC 60034-14)
- Noise levelacc.IEC 60034-9
- Cable entries.....2xM32x1.5
- Climate executionN

**The overall and mounting dimensions
IM 1001**



| Frame size | Dimensions (mm) | | | | | | | | | | | | | | | | |
|-------------|-----------------|-----|----|-----|----|----|-----|-----|-----------------|------|----|-----|----|--------|-----|-------|-----|
| | Foot mounting | | | | | | | | Shaft extension | | | | | HD max | AC | L max | |
| A | B | C | H | K | AA | AB | BB | HA | D | E | F | GA | d | | | | |
| 100L b-8 | 160 | 140 | 63 | 100 | 12 | 47 | 200 | 176 | 10 | 28j6 | 60 | 8h9 | 31 | M10 | 307 | 199 | 437 |

**The overall and mounting dimensions
IM 3001; IM 3011**



| Frame size | Dimensions (mm) | | | | | | | | | | | HD max | AC | L max |
|------------|----------------------|-----|-----|------|---|-----------------|----|-----|----|-----|-----|--------|-----|-------|
| | Flange mounting (B5) | | | | | Shaft extension | | | | | | | | |
| 100Lb-8 | N | M | P | S | T | D | E | F | GA | d | | | | |
| | 180 | 215 | 250 | 14.5 | 4 | 28j6 | 60 | 8h9 | 31 | M10 | 207 | 199 | 437 | |

**The overall and mounting dimensions
IMB35**



| Frame size | Dimensions (mm) | | | | | | | | | | | | | | | | HD max | AC | L max |
|------------|-----------------|-----|----|------------|----|-----------------|-----|-----|------|---|-----------------|----|-----|----|-----|-----|--------|-----|-------|
| | Foot mounting | | | | | Flange mounting | | | | | Shaft extension | | | | | | | | |
| | A | B | C | $H_{-0,5}$ | K | N | M | P | S | T | D | E | F | GA | d | | | | |
| 100Lb-8 | 160 | 140 | 63 | 100 | 12 | 180 | 215 | 250 | 14.5 | 4 | 28j6 | 60 | 8h9 | 31 | M10 | 307 | 199 | 437 | |