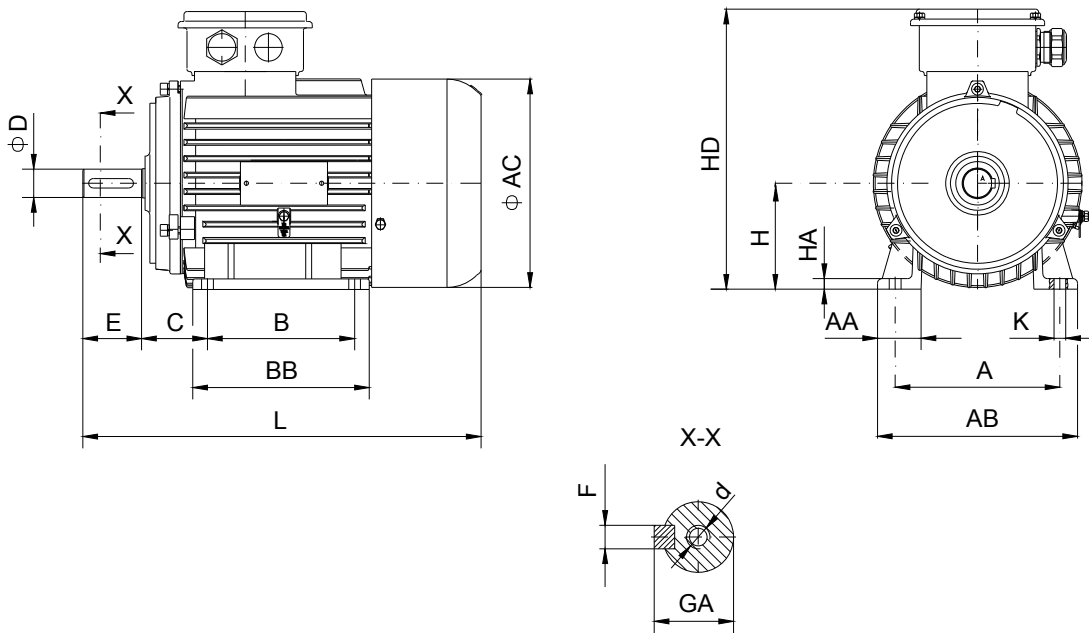


**DATA SHEET**

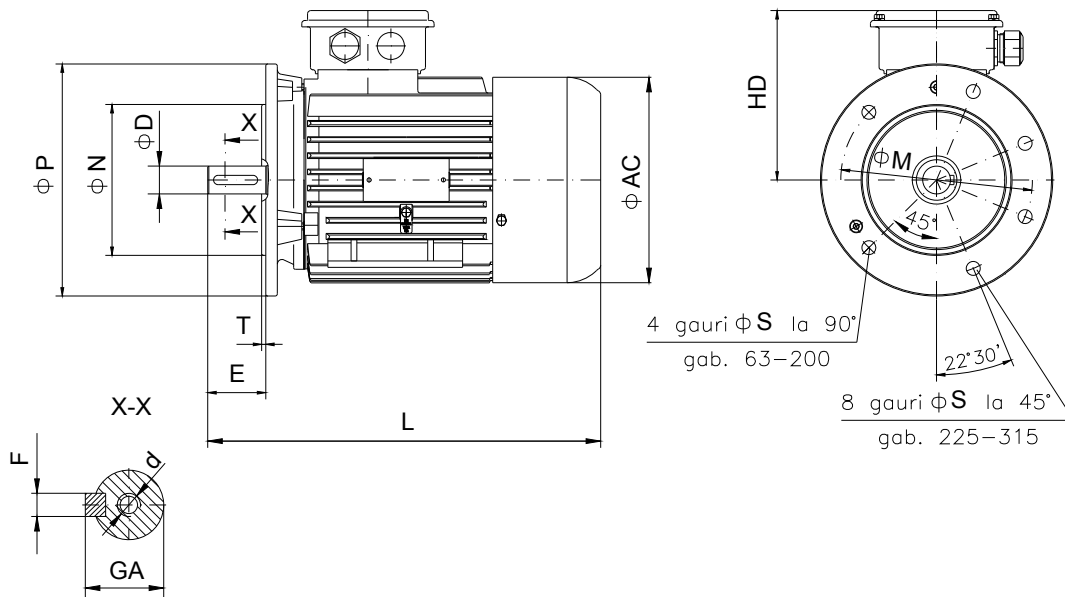
- Type.....ASNA 100Lb-6
- Reference standard.....IEC 60034-1  
60079-0;  
60079-15
- Rated output..... 1.5 kW
- Rated stator voltage.....400V
- Stator current at 100% load .....4.12 [A]
- Number of poles.....6
- Rated speed.....945 rev/min
- Rated frequency.....50 Hz
- Efficiency at 100% load.....72%
- Power factor at 100% load.....0.73
- Break-down torque.....2.2 x Mn
- Locked rotor torque.....2 x Mn
- Locked rotor current.....4.5 x In
- Rotor inertia.....0.01239 kgm<sup>2</sup>
- Insulation class.....F
- Direction of rotation.....Both(CW&CCW)
- Protection degree.....≥IP55
- Mounting.....IM
- Cooling method.....IC 411
- Max. ambient temperature.....+ 40°C
- Altitude.....1000m
- Bearing type.....6306 2Z drive end  
6306 2Z non drive end
- Weight.....32Kg
- Outline drawing.....Page 2
- Vibration level :.....A (acc.IEC 60034-14 )
- Noise level .....acc.IEC 60034-9
- Cable entries.....2xM32x1.5
- Climate execution .....N

**The overall and mounting dimensions  
IM 1001**



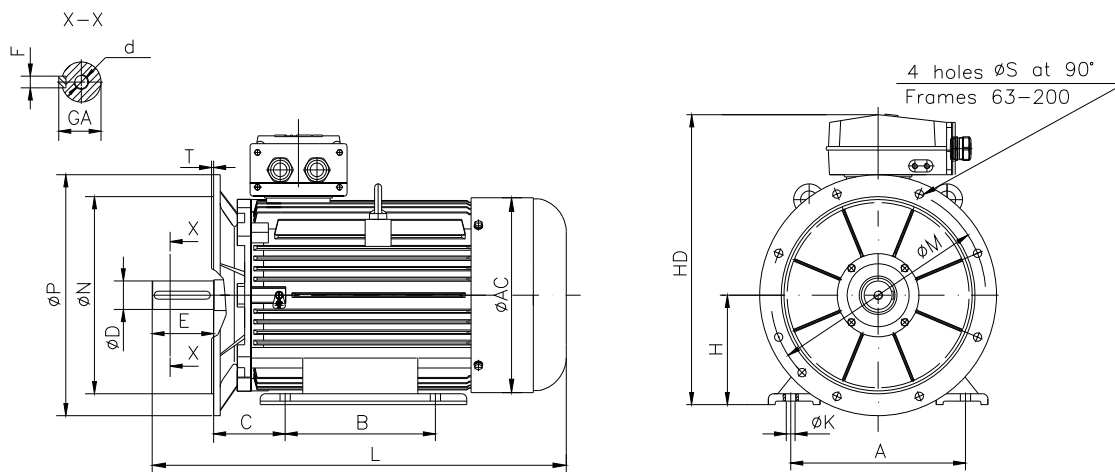
Frame size	Dimensions (mm)																
	Foot mounting									Shaft extension					HD max	AC	L max
A	B	C	H	K	AA	AB	BB	HA	D	E	F	GA	d				
100L b-6	160	140	63	100	12	47	200	176	10	28j6	60	8h9	31	M10	307	199	437

**The overall and mounting dimensions  
IM 3001; IM 3011**



Frame size	Dimensions (mm)											HD max	AC	L max
	Flange mounting (B5)					Shaft extension								
100Lb-6	N	M	P	S	T	D	E	F	GA	d				
	180	215	250	14.5	4	28j6	60	8h9	31	M10	207	199	437	

**The overall and mounting dimensions  
IMB35**



Frame size	Dimensions (mm)																HD max	AC	L max
	Foot mounting					Flange mounting					Shaft extension								
	A	B	C	H <sub>0.5</sub>	K	N	M	P	S	T	D	E	F	GA	d				
100Lb-6	160	140	63	100	12	180	215	250	14.5	4	28j6	60	8h9	31	M10	307	199	437	