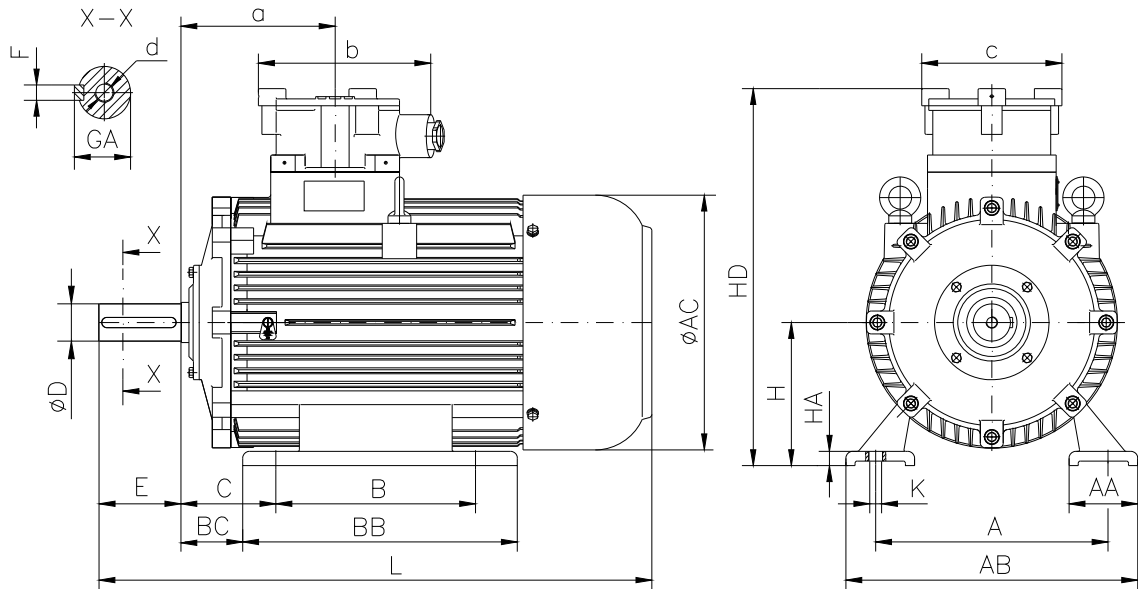


DATA SHEET

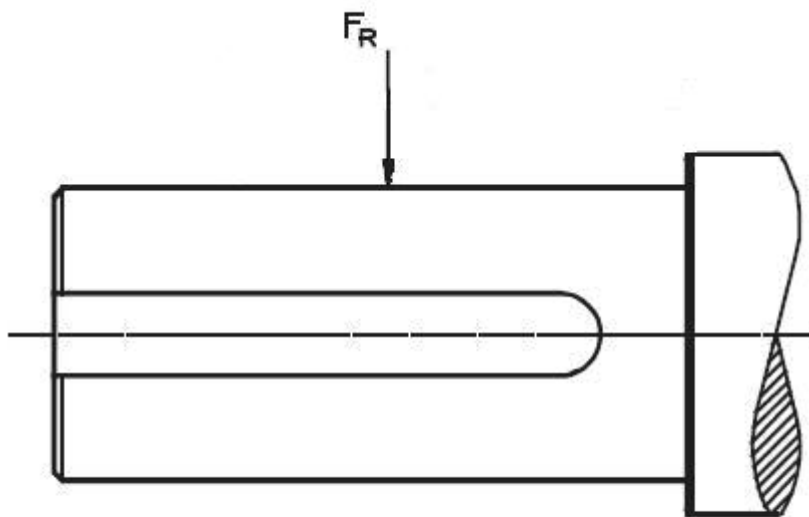
- Type.....ASA 355M-4
- Reference standard..... IEC 60034-1
EN 60079-0
EN 60079-1
- Rated output..... 200 kW
- Rated stator voltage.....400 V
- Stator connection..... Δ
- Stator current at 100% load365 [A]
- Number of poles.....4
- Rated speed/1485 rev/min
- Rated frequency.....50 Hz
- **Rated duty**.....**S3 -6 starts/hours-OD=40%**
- Efficiency at 100%, 75%, 50% load.....94.4%
- Power factor at 100% load.....0.84
- Break-down torque.....2.3 x Mn
- Locked rotor torque.....2.3x Mn
- Locked rotor current.....6.8 x In
- J motor6.791039 kgm²
- **Insulation class/temperature rise**.....**F/B**
- Direction of rotation.....Both(CW&CCW)
- Protection degree.....IP55
- Mounting.....IM B3
- Cooling method.....IC 411
- **Max. ambient temperature**.....**up to +50°C**
- Altitude.....1000m
- Bearing type.....**NU 322** drive end
6322 non drive end
- Lubrication..... regreasable bearings with UNIREX N2,
Shell Alvania R3, SKF LGTH3 or similar
- Relubricated interval7500[hrs] DE and NDE
- Corrected interval..... 2500 [hrs] DE and NDE
- Grease quantity75g/bearing DE and NDE
- Outline drawing.....Page 2
- Thermal winding protection.....3xPTC120°C for prewarning+3xPTC130°C for switching off
- Heating resistance.....2x100Wx230V
- Vibration level :.....A (acc.IEC 60034-14)
- Noise levelacc.IEC 60034-9
- Cable entries.....2xM63x1.5
- Additional cable entries.....2xM20X1.5
- Climate executionTropical

**The overall and mounting dimensions
IM 1001**



Frame size	Dimensions (mm)																				
	Foot mounting										Shaft extension					HD	AC	L	a	b	c
A	B	C	H _{0.5}	K	AA	AB	BB	BC	HA	D	E	F	GA	d							
355 M-4	610	560	254	355	28	110	714	695	177	32	100m6	210	28	106	M24	960	705	1490	320	460	355

Permissible loadings on the shaft end



**Permissible radial forces according to L10 principle
Bearing life for 40000 h operating : $F_R=14500$ N**