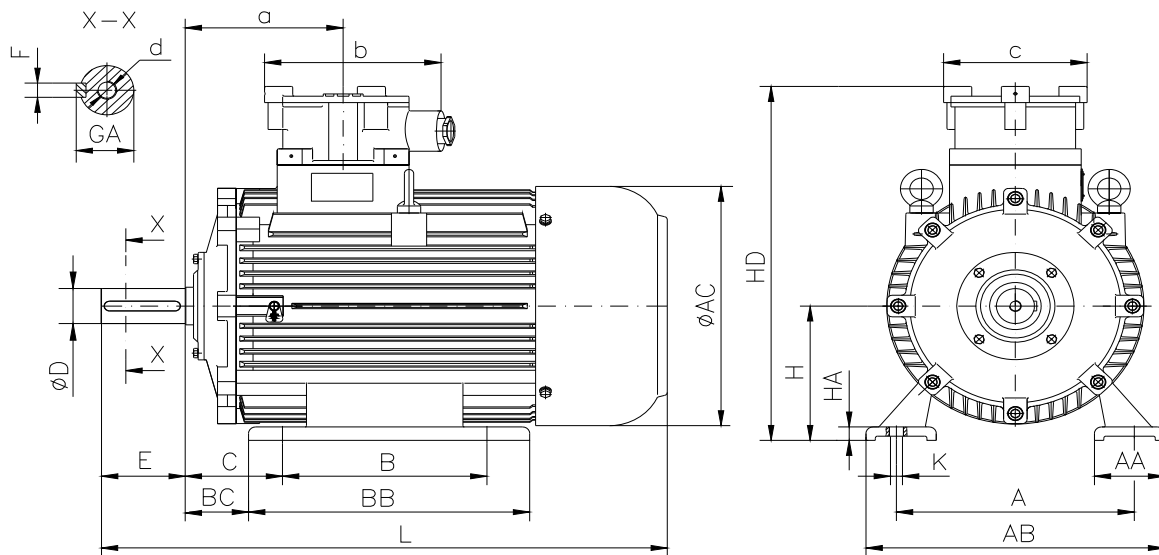


DATA SHEET

○ Type.....	ASA 280M-6
○ Reference standard.....	IEC 60034-1 EN 60079-0 ; 1
○ Rated output.....	55 kW
○ Rated stator voltage.....	400 V Δ
○ Rated frequency.....	50 Hz
○ Stator current at 100% load.....	100 A
○ Number of poles.....	6
○ Rated speed.....	980 rev/min
○ Rated duty.....	S1(continuous)
○ Duty S9 with PWM frequency converter.....	only quadratic torque(see page 3/3)
○ Frequency range	5-87 Hz
○ Efficiency at 100% load.....	93.5%
○ Power factor at 100% load.....	0.85
○ Break-down torque.....	3.2 x Mn
○ Locked rotor torque.....	2.8 x Mn
○ Locked rotor current.....	7.9 x In
○ Rotor inertia.....	1.61384 kgm ²
○ Insulation class.....	F
○ Direction of rotation.....	Both(CW&CCW)
○ Protection degree.....	≥IP55
○ Mounting.....	IM B3
○ Cooling method.....	IC 411
○ Max. ambient temperature.....	up to +40°C
○ Altitude.....	1000m
○ Bearing type.....	6316 drive end 6314 C3 VL0241 non drive end
○ Lubrication.....	regreasable bearings with UNIREX N2, Shell Alvania R3, SKF LGTH3
○ Relubricating interval.....	10700 hrs DE 12100 hrs NDE
○ Correcting interval.....	3700 hrs DE 4200 hrs NDE
○ Grease quantity	33g/bearing DE 26 g/bearing NDE
○ Thermal winding protection.....	3xPTC
○ Weight.....	700 Kg
○ Outline drawing.....	Page 2
○ Vibration level :	A (acc.IEC 60034-14)
○ Noise level	acc.IEC 60034-9
○ Cable entries.....	2xM63x1.5
○ Additional cable entries.....	1xM20x1.5
○ Climate execution	Normal

**The overall and mounting dimensions
IM 1001**



Frame size	Dimensions (mm)																				
	Foot mounting										Shaft extension						HD	AC	L	a	b
A	B	C	H _{0.5}	K	AA	AB	BB	BC	HA	D	E	F	GA	d							
280 M-6	457	419	190	280	24	120	550	500	147	30	75m6	140	20h9	79.5	M20	758	500	1170	280	340	300

Load curve quadratic torque

