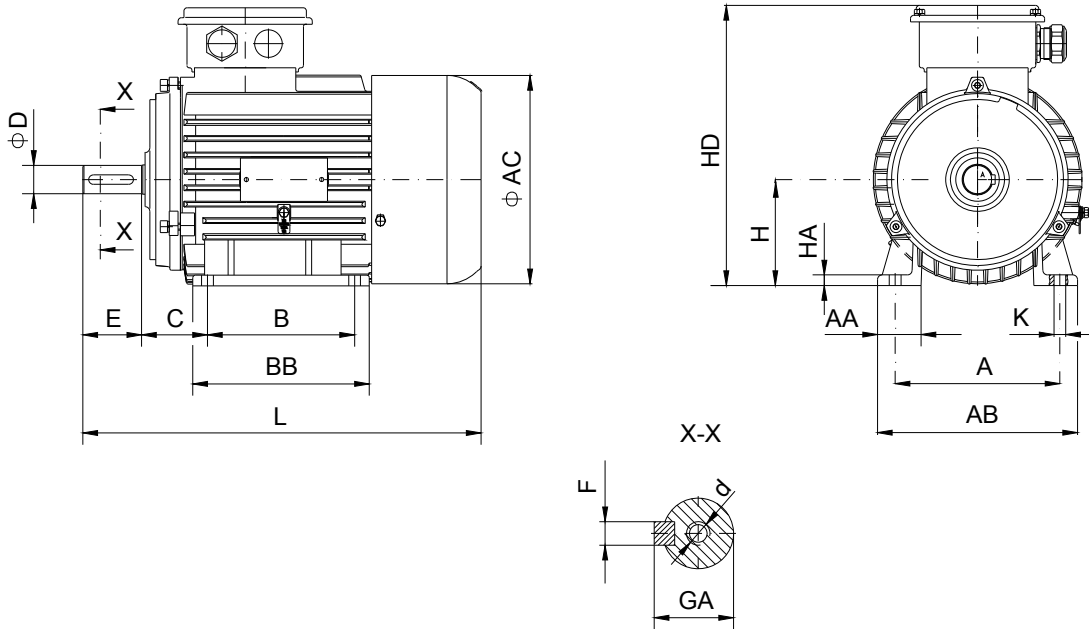


**DATA SHEET**

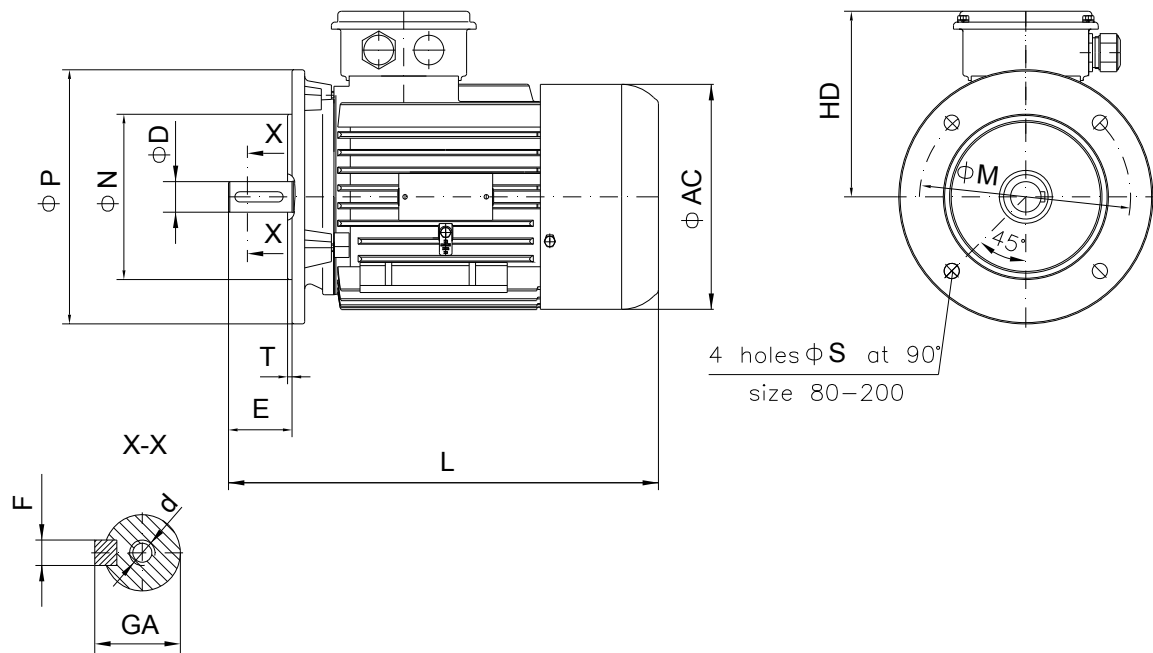
- Type.....E2-ASNA 90Sb-4
- Reference standard..... IEC 60034-1; 60034-30  
60079-0;  
60079-15
- Rated output..... 1.1 kW
- Rated stator voltage.....400V
- Stator current at 100% load .....2.68 [A]
- Number of poles.....4
- Rated speed.....1415 rev/min
- Rated frequency.....50 Hz
- Efficiency at 100%, 75%, 50% load.....82.5%, 82.1%, 80.1%
- Power factor at 100% load.....0.85
- Break-down torque.....2.6 x Mn
- Locked rotor torque.....2.6 x Mn
- Locked rotor current.....6.3 x In
- Rotor inertia.....0.00638 kgm<sup>2</sup>
- Insulation class.....F
- Direction of rotation.....Both(CW&CCW)
- Protection degree.....≥IP55
- Mounting.....IM
- Cooling method.....IC 411
- Max. ambient temperature.....+40°C
- Altitude.....1000m
- Bearing type.....6305 2Z drive end  
6305 2Z non drive end
- Weight.....28Kg
- Outline drawing.....Page 2
- Vibration level :.....A (acc.IEC 60034-14 )
- Noise level .....acc.IEC 60034-9
- Cable entries.....1xM25x1.5
- Climate execution .....N

**The overall and mounting dimensions  
IM 1001**



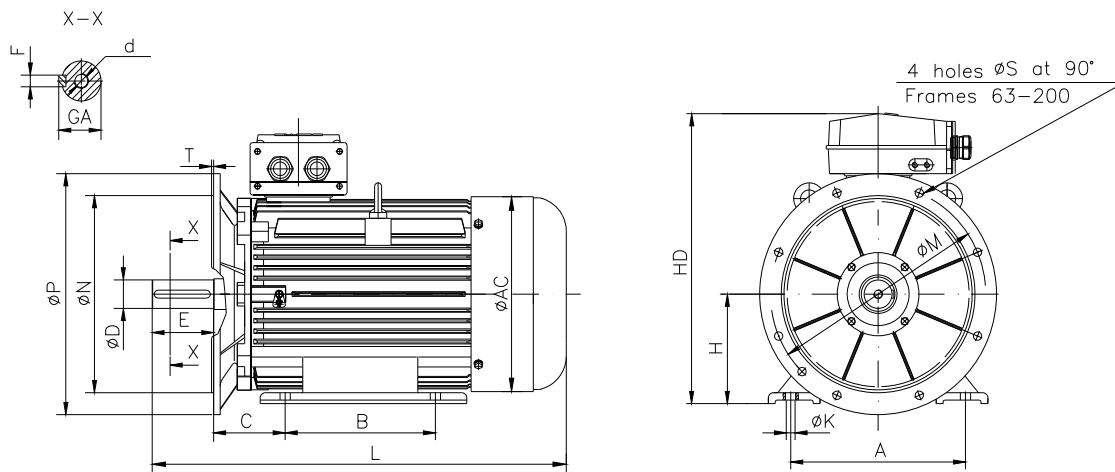
| Frame size | Dimensions (mm) |     |    |    |    |    |     |                 |    |      |    |     |    |    |     | HD max | AC  | L max |
|------------|-----------------|-----|----|----|----|----|-----|-----------------|----|------|----|-----|----|----|-----|--------|-----|-------|
|            | Foot mounting   |     |    |    |    |    |     | Shaft extension |    |      |    |     |    |    |     |        |     |       |
| 90Sb-4     | A               | B   | C  | H  | K  | AA | AB  | BB              | HA | D    | E  | F   | GA | d  |     |        |     |       |
|            | 140             | 100 | 56 | 90 | 10 | 37 | 170 | 150             | 9  | 24j6 | 50 | 8h9 | 27 | M8 | 272 | 177    | 411 |       |

**The overall and mounting dimensions  
IM 3001; IM 3011**



| Frame size | Dimensions (mm)      |     |     |    |     |                 |    |     |    |    |     | HD max | AC  | L max |
|------------|----------------------|-----|-----|----|-----|-----------------|----|-----|----|----|-----|--------|-----|-------|
|            | Flange mounting (B5) |     |     |    |     | Shaft extension |    |     |    |    |     |        |     |       |
| 90Sb-4     | N                    | M   | P   | S  | T   | D               | E  | F   | GA | d  |     |        |     |       |
|            | 130j6                | 165 | 200 | 12 | 3.5 | 24j6            | 50 | 8h9 | 27 | M8 | 182 | 177    | 411 |       |

**The overall and mounting dimensions  
IMB35**



| Frame size | Dimensions (mm) |     |                  |    |    |                 |     |     |    |     |                 |    |     |    |    |        |     |       |
|------------|-----------------|-----|------------------|----|----|-----------------|-----|-----|----|-----|-----------------|----|-----|----|----|--------|-----|-------|
|            | Foot mounting   |     |                  |    |    | Flange mounting |     |     |    |     | Shaft extension |    |     |    |    | HD max | AC  | L max |
| A          | B               | C   | H <sub>0.5</sub> | K  | N  | M               | P   | S   | T  | D   | E               | F  | GA  | d  |    |        |     |       |
| 90Sb-4     | 140             | 110 | 56               | 90 | 10 | 130             | 165 | 200 | 12 | 3.5 | 24j6            | 50 | 8h9 | 27 | M8 | 272    | 177 | 411   |