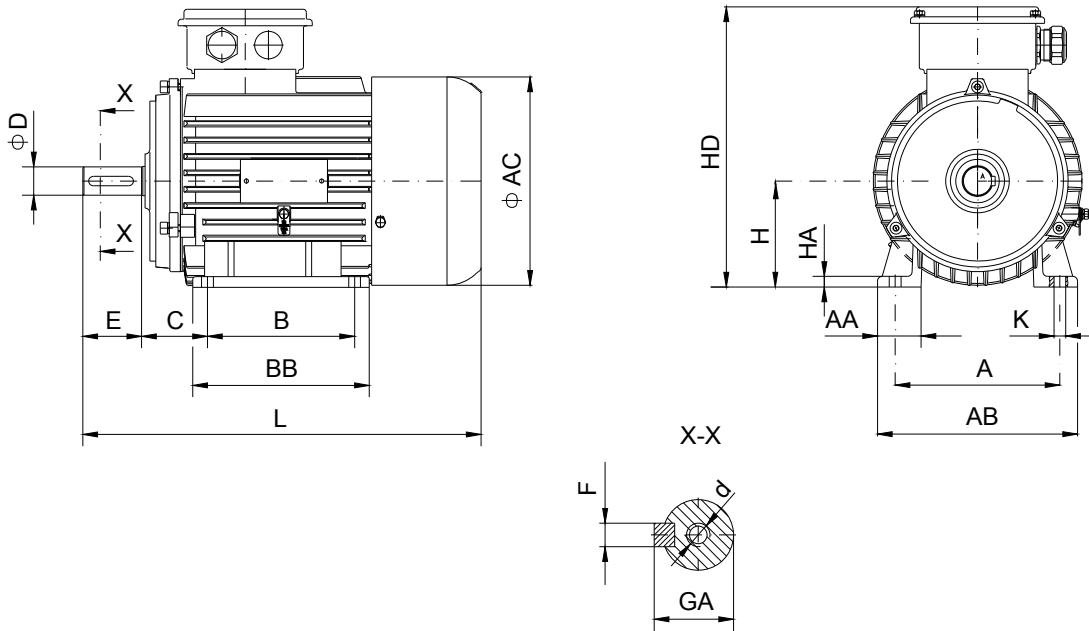


DATA SHEET

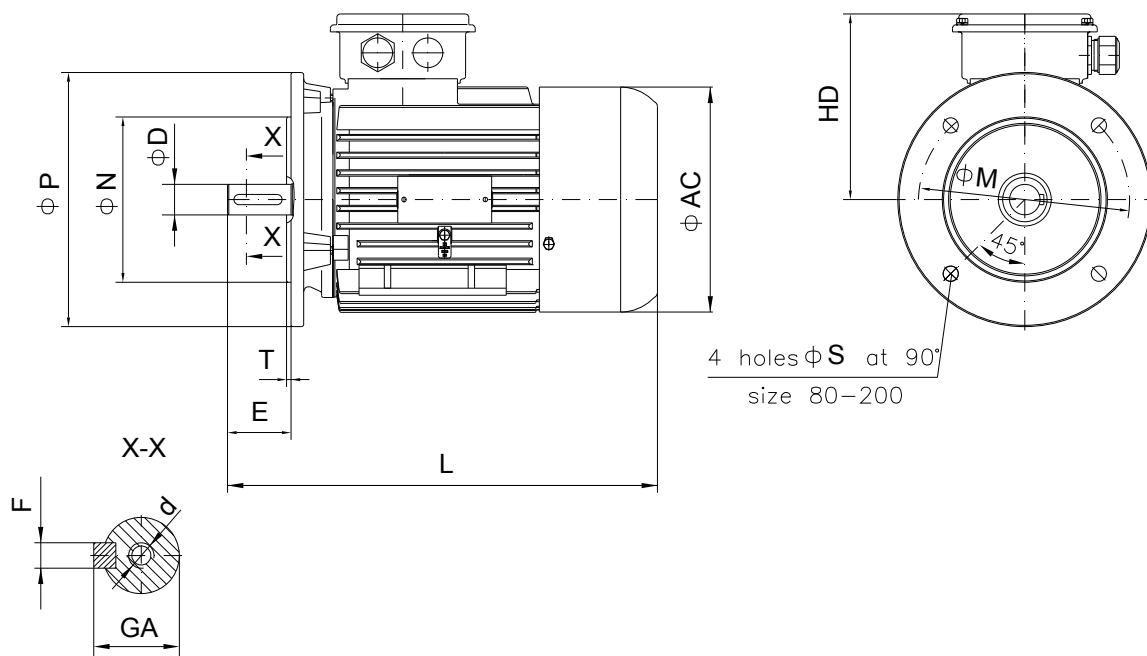
| | |
|--|---|
| ○ Type..... | E2-ASNA 90L-6 |
| ○ Reference standard..... | IEC 60034-1; 60034-30 60079-0; 60079-15 |
| ○ Rated output..... | 1.1 kW |
| ○ Rated stator voltage..... | 400V |
| ○ Stator current at 100% load | 2.76 [A] |
| ○ Number of poles..... | 6 |
| ○ Rated speed..... | 950 rev/min |
| ○ Rated frequency..... | 50 Hz |
| ○ Efficiency at 100%, 75%, 50% load..... | 78.1%, 76.6%, 73.2% |
| ○ Power factor at 100% load..... | 0.74 |
| ○ Break-down torque..... | 2.9 x Mn |
| ○ Locked rotor torque..... | 2.4 x Mn |
| ○ Locked rotor current..... | 5.1 x In |
| ○ Rotor inertia..... | 0.01146 kgm ² |
| ○ Insulation class..... | F |
| ○ Direction of rotation..... | Both(CW&CCW) |
| ○ Protection degree..... | ≥IP55 |
| ○ Mounting..... | IM |
| ○ Cooling method..... | IC 411 |
| ○ Max. ambient temperature..... | +40°C |
| ○ Altitude..... | 1000m |
| ○ Bearing type..... | 6305 2Z drive end 6305 2Z non drive end |
| ○ Weight..... | 38Kg |
| ○ Outline drawing..... | Page 2 |
| ○ Vibration level : | A (acc.IEC 60034-14) |
| ○ Noise level | acc.IEC 60034-9 |
| ○ Cable entries..... | 1xM25x1.5 |
| ○ Climate execution | N |

**The overall and mounting dimensions
IM 1001**



| Frame size | Dimensions (mm) | | | | | | | | | | | | | | | | |
|------------|-----------------|-----|----|----|----|----|-----|-----------------|---|------|----|-----|----|----|--------|-----|-------|
| | Foot mounting | | | | | | | Shaft extension | | | | | | | HD max | AC | L max |
| A | B | C | H | K | AA | AB | BB | HA | D | E | F | GA | d | | | | |
| 90L-6 | 140 | 125 | 56 | 90 | 10 | 37 | 170 | 150 | 9 | 24j6 | 50 | 8h9 | 27 | M8 | 272 | 177 | 411 |

**The overall and mounting dimensions
IM 3001; IM 3011**



| Frame size | Dimensions (mm) | | | | | | | | | | | HD max | AC | L max |
|------------|----------------------|-----|-----|----|-----|-----------------|----|-----|----|----|-----|--------|-----|-------|
| | Flange mounting (B5) | | | | | Shaft extension | | | | | | | | |
| | N | M | P | S | T | D | E | F | GA | d | | | | |
| 90L-6 | 130j6 | 165 | 200 | 12 | 3.5 | 24j6 | 50 | 8h9 | 27 | M8 | 182 | 177 | 411 | |

**The overall and mounting dimensions
IMB35**



| Frame size | Dimensions (mm) | | | | | | | | | | | | | | | | | |
|------------|-----------------|-----|------------------|----|----|-----------------|-----|-----|----|-----|-----------------|----|-----|----|----|--------|-----|-------|
| | Foot mounting | | | | | Flange mounting | | | | | Shaft extension | | | | | HD max | AC | L max |
| A | B | C | H _{0.5} | K | N | M | P | S | T | D | E | F | GA | d | | | | |
| 90L-6 | 140 | 125 | 56 | 90 | 10 | 130 | 165 | 200 | 12 | 3.5 | 24j6 | 50 | 8h9 | 27 | M8 | 272 | 177 | 411 |