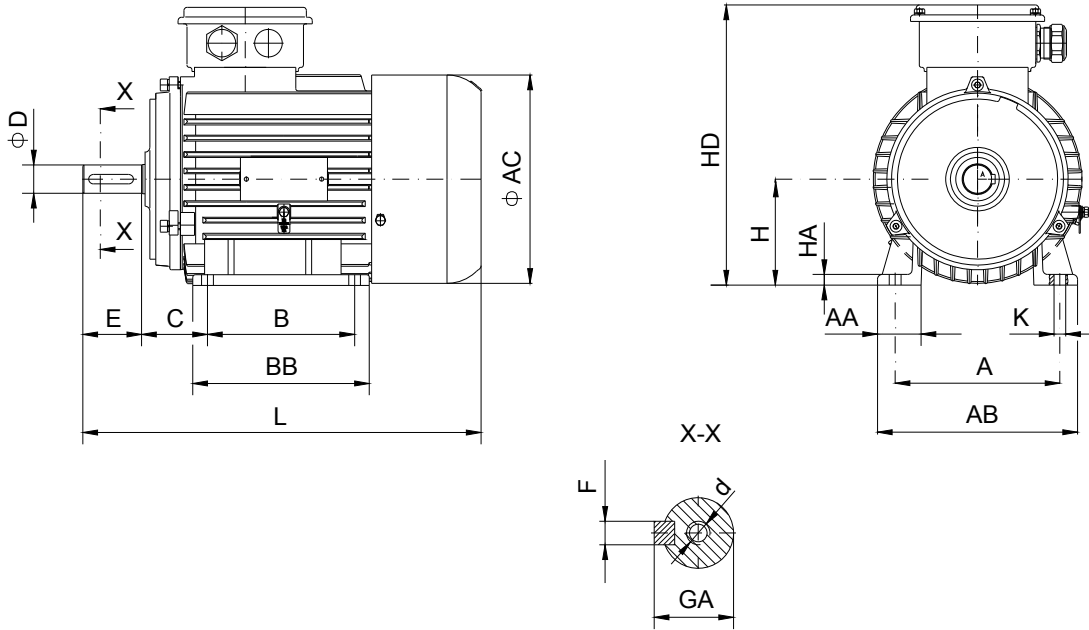


DATA SHEET

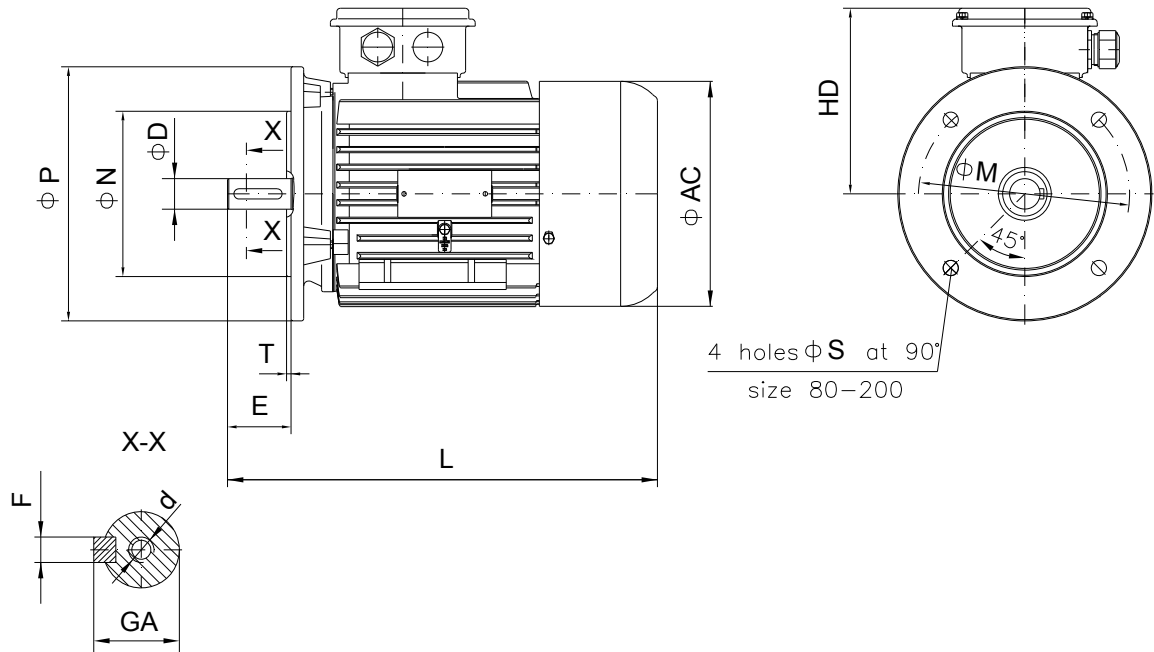
- Type.....E2-ASNA 80b-4
- Reference standard..... IEC 60034-1; 60034-30
60079-0;
60079-15
- Rated output..... 0.75 kW
- Rated stator voltage.....400V
- Stator current at 100% load 1.78 [A]
- Number of poles.....4
- Rated frequency.....50 Hz
- Rated speed.....1425 rev/min
- Efficiency at 100%, 75%, 50% load.....79.8%, 78.5%, 75.8%
- Power factor at 100% load.....0.77
- Break-down torque.....2.5 x Mn
- Locked rotor torque.....2.5 x Mn
- Locked rotor current.....5.6 x In
- Rotor inertia.....0.00314 kgm²
- Insulation class.....F
- Direction of rotation.....Both(CW&CCW)
- Protection degree.....≥IP55
- Mounting.....IM
- Cooling method.....IC 411
- Max. ambient temperature.....+40°C
- Altitude.....1000m
- Bearing type.....6304 2Z drive end
6304 2Z non drive end
- Weight.....20Kg
- Outline drawing.....Page 2
- Vibration level :.....A (acc.IEC 60034-14)
- Noise levelacc.IEC 60034-9
- Cable entries.....1xM25x1.5
- Climate executionN

**The overall and mounting dimensions
IM 1001**



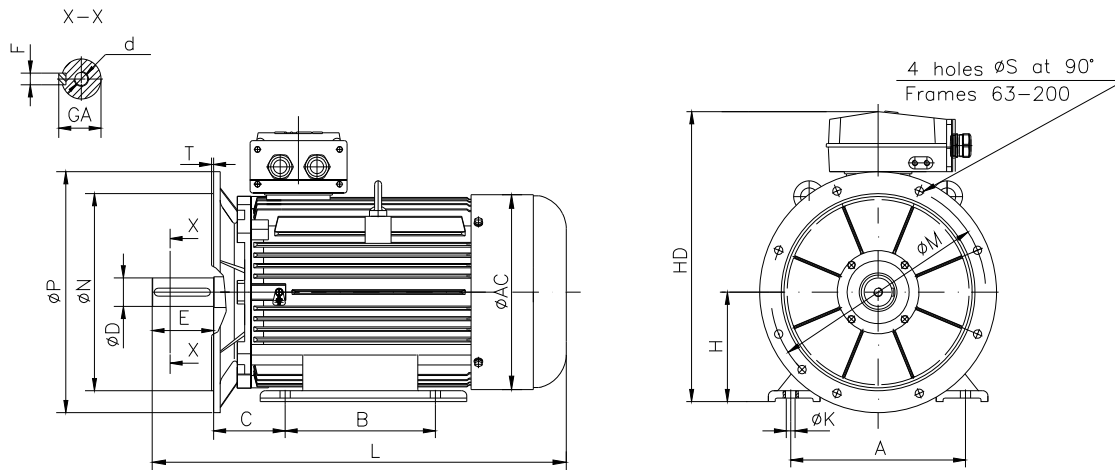
Frame size	Dimensions (mm)																
	Foot mounting								Shaft extension					HD max	AC	L max	
A	B	C	H	K	AA	AB	BB	HA	D	E	F	GA	d				
80b-4	125	100	50	80	10	35	155	125	9	19j6	40	6h9	21.5	M6	254	158	340

**The overall and mounting dimensions
IM 3001; IM 3011**



Frame size	Dimensions (mm)											HD max	AC	L max
	Flange mounting (B5)					Shaft extension								
	N	M	P	S	T	D	E	F	GA	d				
80b-4	130j6	165	200	12	3.5	19j6	40	6h9	21.5	M6	136	158	340	

**The overall and mounting dimensions
IMB35**



Frame size	Dimensions (mm)																	
	Foot mounting					Flange mounting					Shaft extension					HD max	AC	L max
80b-4	A	B	C	H _{0,5}	K	N	M	P	S	T	D	E	F	GA	d			
	125	100	50	80	10	130	165	200	12	3.5	19j6	40	6h9	21.5	M6	254	158	340