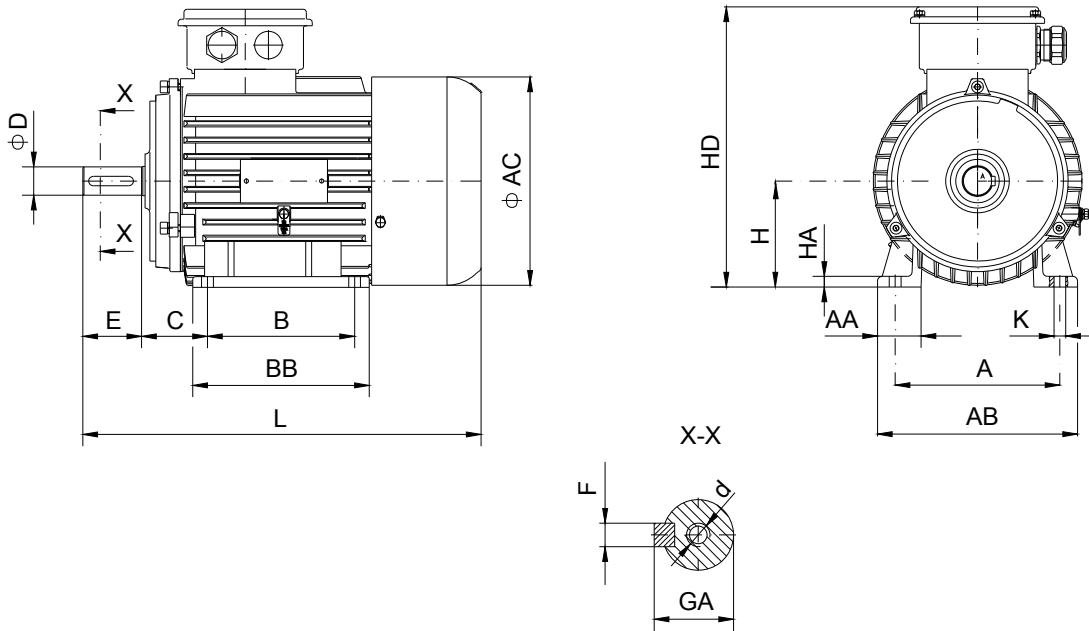


**DATA SHEET**

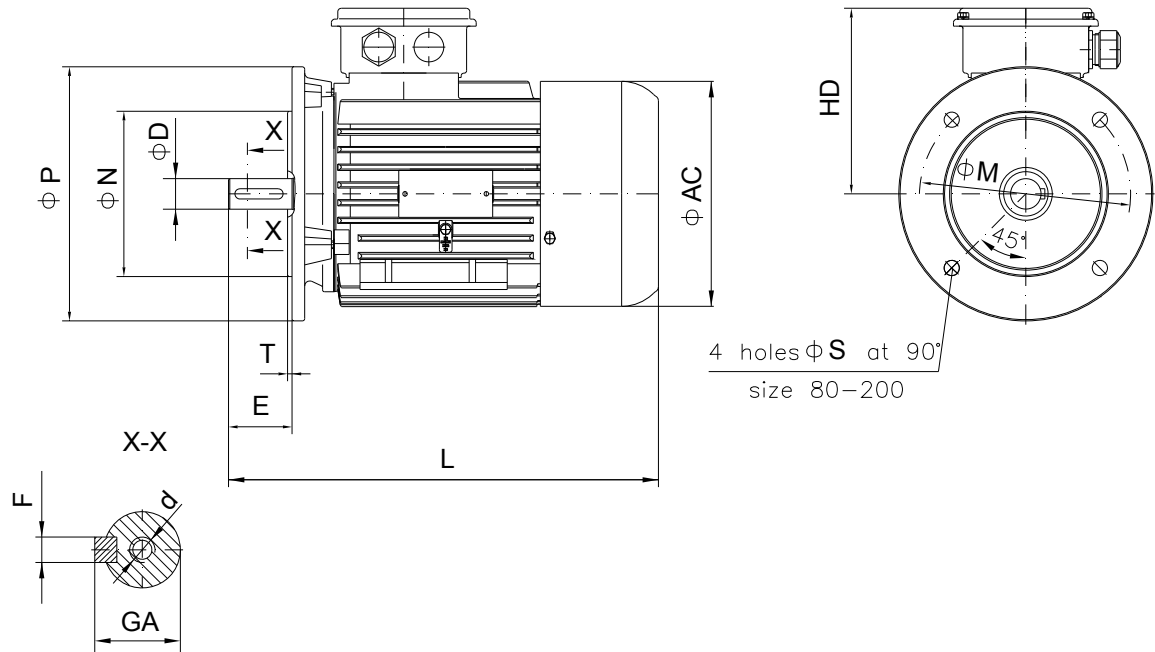
○ Type.....	E2-ASNA 80b-2
○ Reference standard.....	IEC 60034-1; 60034-30 60079-0; 60079-15
○ Rated output.....	1.1 kW
○ Rated stator voltage.....	400V
○ Stator current at 100% load .....	2.19 [A]
○ Number of poles.....	2
○ Rated speed.....	2850 rev/min
○ Rated frequency.....	50 Hz
○ Efficiency at 100%, 75%, 50% load.....	80.5%, 79.7%, 76.3%
○ Power factor at 100% load.....	0.90
○ Break-down torque.....	2.5 x Mn
○ Locked rotor torque.....	2.3 x Mn
○ Locked rotor current.....	5.6 x In
○ Rotor inertia.....	0.001582 kgm <sup>2</sup>
○ Insulation class.....	F
○ Direction of rotation.....	Both(CW&CCW)
○ Protection degree.....	≥IP55
○ Mounting.....	IM
○ Cooling method.....	IC 411
○ Max. ambient temperature.....	+40°C
○ Altitude.....	1000m
○ Bearing type.....	6304 2Z drive end 6304 2Z non drive end
○ Weight.....	19Kg
○ Outline drawing.....	Page 2
○ Vibration level : .....	A (acc.IEC 60034-14 )
○ Noise level .....	acc.IEC 60034-9
○ Cable entries.....	1xM25x1.5
○ Climate execution .....	N

**The overall and mounting dimensions  
IM 1001**



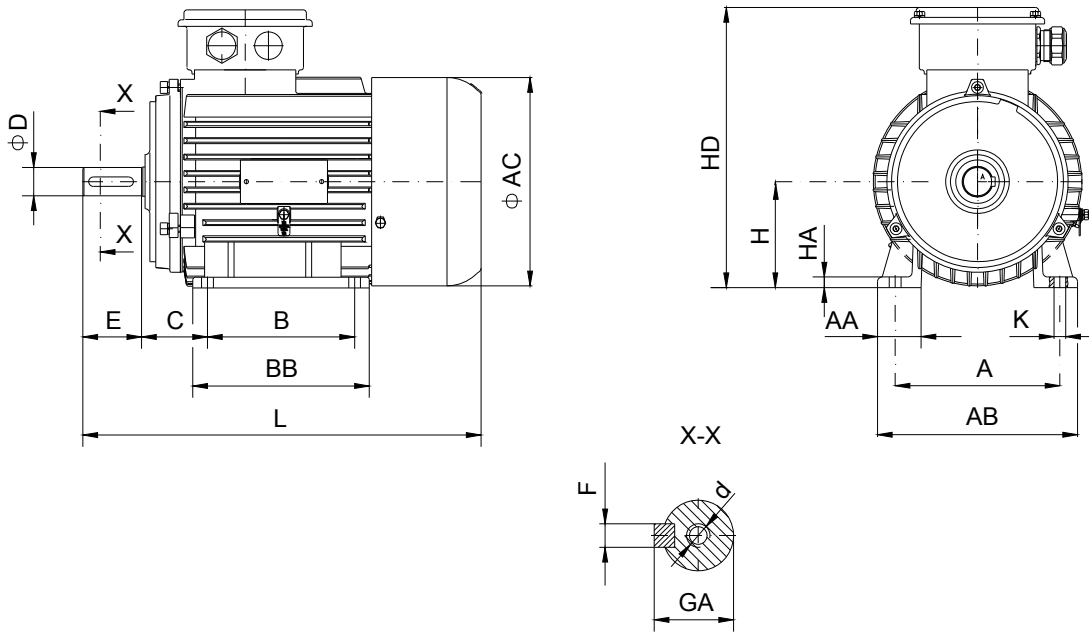
Frame size	Dimensions (mm)																
	Foot mounting							Shaft extension							HD max	AC	L max
A	B	C	H	K	AA	AB	BB	HA	D	E	F	GA	d				
80b-2	125	100	50	80	10	35	155	125	9	19j6	40	6h9	21.5	M6	254	158	340

**The overall and mounting dimensions  
IM 3001; IM 3011**



Frame size	Dimensions (mm)												
	Flange mounting (B5)					Shaft extension					HD max	AC	L max
N	M	P	S	T	D	E	F	GA	d				
80b-2	130j6	165	200	12	3.5	19j6	40	6h9	21.5	M6	174	158	340

**The overall and mounting dimensions  
IM 1001**



Frame size	Dimensions (mm)																
	Foot mounting								Shaft extension						HD max	AC	L max
80b-2	A	B	C	H	K	AA	AB	BB	HA	D	E	F	GA	d			
	125	100	50	80	10	35	155	125	9	19j6	40	6h9	21.5	M6	254	158	340