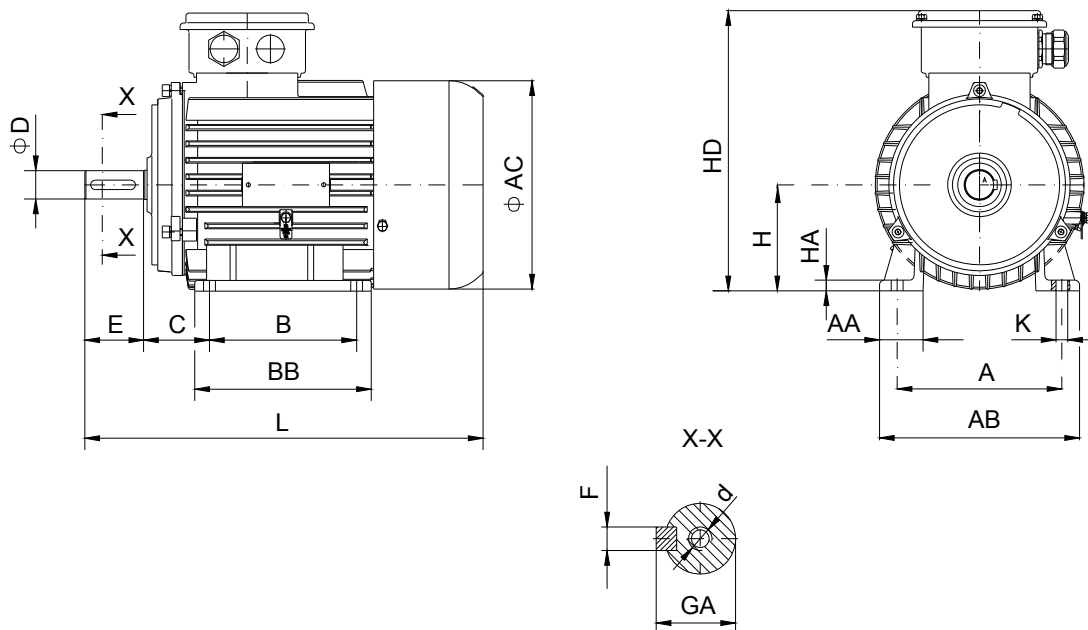


DATA SHEET

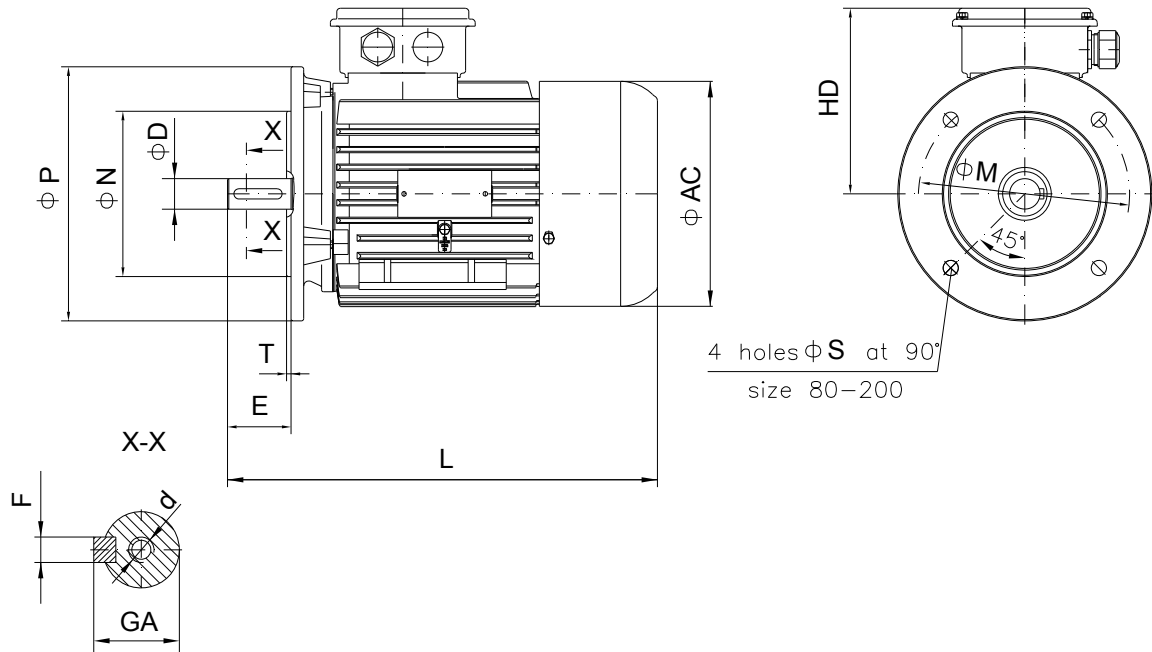
○ Type.....	E2-ASNA 80a-2
○ Reference standard.....	IEC 60034-1; 60034-30; 60079-0; 60079-15
○ Rated output.....	0.75 kW
○ Rated stator voltage.....	400V
○ Stator current at 100% load	1.59 [A]
○ Number of poles.....	2
○ Rated speed.....	2865 rev/min
○ Rated frequency.....	50 Hz
○ Efficiency at 100%, 75%, 50% load.....	80.3%, 79.5%, 76.1%
○ Power factor at 100% load.....	0.85
○ Break-down torque.....	4.3 x Mn
○ Locked rotor torque.....	4.1 x Mn
○ Locked rotor current.....	6.3 x In
○ Rotor inertia.....	0.001251 kgm ²
○ Insulation class.....	F
○ Direction of rotation.....	Both(CW&CCW)
○ Protection degree.....	≥IP55
○ Mounting.....	IM
○ Cooling method.....	IC 411
○ Max. ambient temperature.....	+40°C
○ Altitude.....	1000m
○ Bearing type.....	6304 2Z drive end 6304 2Z non drive end
○ Weight.....	17Kg
○ Outline drawing.....	Page 2
○ Vibration level :	A (acc.IEC 60034-14)
○ Noise level	acc.IEC 60034-9
○ Cable entries.....	1xM25x1.5
○ Climate execution	N

**The overall and mounting dimensions
IM 1001**



Frame size	Dimensions (mm)															HD max	AC	L max
	Foot mounting									Shaft extension								
	A	B	C	H	K	AA	AB	BB	HA	D	E	F	GA	d				
80a-2	125	100	50	80	10	35	155	125	9	19j6	40	6h9	21.5	M6	254	158	315	

**The overall and mounting dimensions
IM 3001; IM 3011**



Frame size	Dimensions (mm)												
	Flange mounting (B5)					Shaft extension					HD max	AC	L max
N	M	P	S	T	D	E	F	GA	d				
80a-2	130j6	165	200	12	3.5	19j6	40	6h9	21.5	M6	174	158	315

**The overall and mounting dimensions
IMB35**



Frame size	Dimensions (mm)															HD max	AC	L max
	Foot mounting					Flange mounting					Shaft extension							
80a-2	A	B	C	H _{-0,5}	K	N	M	P	S	T	D	E	F	GA	d			
	125	100	50	80	10	130	165	200	12	3.5	19j6	40	6h9	21.5	M6	254	158	315