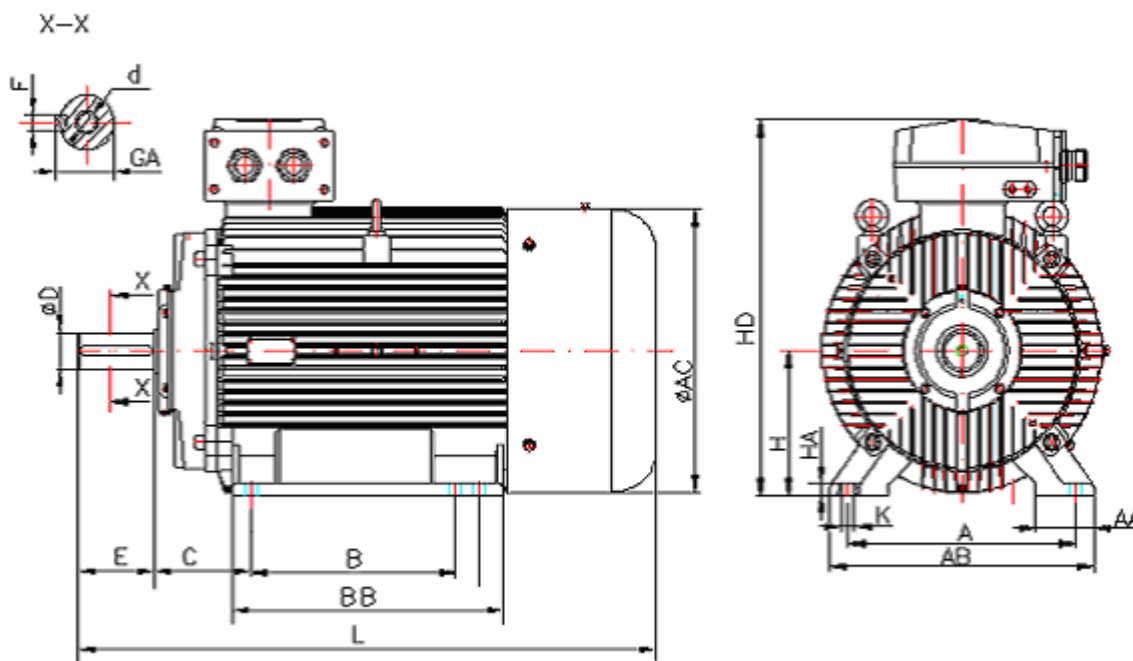


DATA SHEET

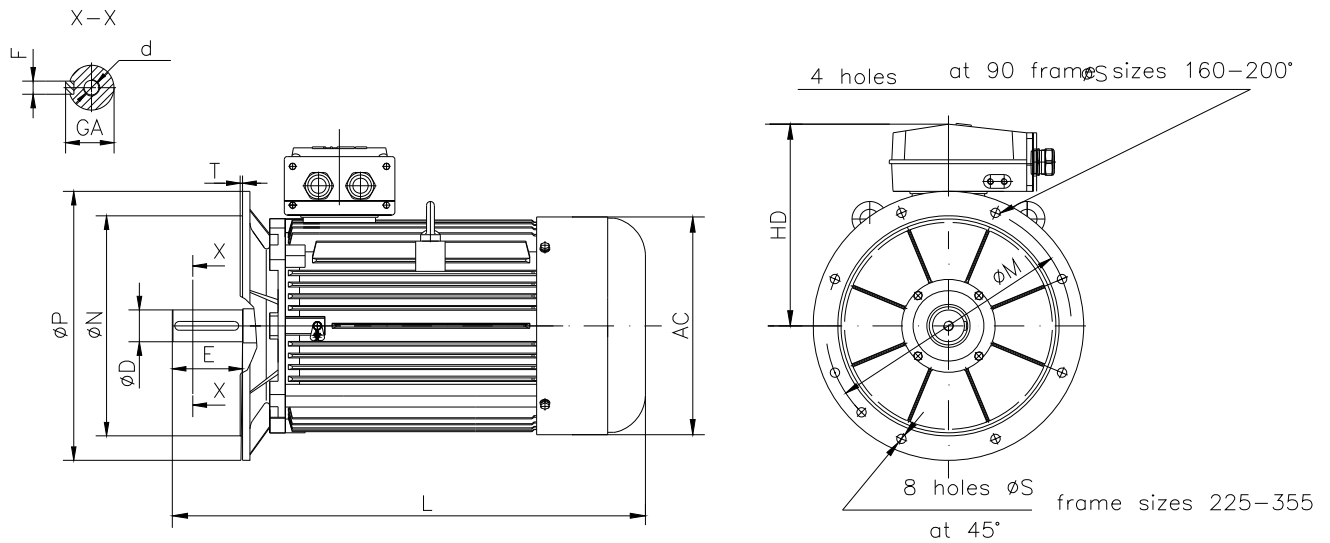
○ Type.....	ASNA 355Mb-2
○ Reference standard.....	IEC 60034-1; 60079-0; 60079-15
○ Rated output.....	280 kW
○ Rated stator voltage.....	400 V Δ
○ Stator current at 100% load at 400 V.....	482.92 A
○ Rated frequency.....	50 Hz
○ Number of poles.....	2
○ Rated speed.....	2975 rev/min
○ Efficiency at 100% load.....	95.1%
○ Power factor at 100% load.....	0.88
○ Rated duty.....	S1(continuous duty)
○ Break-down torque.....	2.5 x Mn
○ Locked rotor torque.....	2.0 x Mn
○ Locked rotor current.....	6.0 x In
○ Rotor inertia.....	3.80611 kgm ²
○ Insulation class.....	F
○ Direction of rotation.....	Both(CW&CCW)
○ Protection degree.....	IP55
○ Mounting.....	IMB3
○ Cooling method.....	IC 411
○ Ambient temperature.....	+40°C
○ Altitude.....	1000m
○ Bearing type.....	6319 drive end 6319 non drive end
○ Lubrication.....	regreasable bearings with UM 185 Li 3, Shell Alvania R3, SKF LGTH3 or similar
○ Relubricating interval	4200[hrs] DE and NDE
○ Correcting interval.....	1000 [hrs] DE and NDE
○ Grease quantity	37g/bearing DE and NDE
○ Weight.....	1380 Kg
○ Outline drawing.....	Page
○ Vibration level :	A(acc.IEC 60034-14)
○ Noise level	acc.IEC 60034-9
○ Cable entries.....	2xM63x1.5
○ Climate execution	N

**The overall and mounting dimensions
IM 1001**



Frame size	Dimensions (mm)																
	Foot mounting									Shaft extension					HD max	AC	L max
A	B	C	H	K	AA	AB	BB	HA	D	E	F	GA	d				
355M b-2	610	560	254	355	28	110	714	695	32	70m6	140	20h9	74.5	M20	920	698	1380

**The overall and mounting dimensions
IM 3001; IM 3011**



Frame size	Dimensions (mm)											HD max	AC	L max
	Flange mounting (B5)					Shaft extension								
	N	M	P	S	T	D	E	F	GA	d				
355M b-2	680	740	800	24	6	70m6	140	20h9	74.5	M20	565	698	1380	

**The overall and mounting dimensions
IMB35**



Frame size	Dimensions (mm)																	
	Foot mounting					Flange mounting					Shaft extension					HD max	AC	L max
A	B	C	H _{0.5}	K	N	M	P	S	T	D	E	F	GA	d				
355Mb-2	610	560	254	355	28	680	740	800	24	6	70m6	140	20h9	74.5	M20	920	698	1380