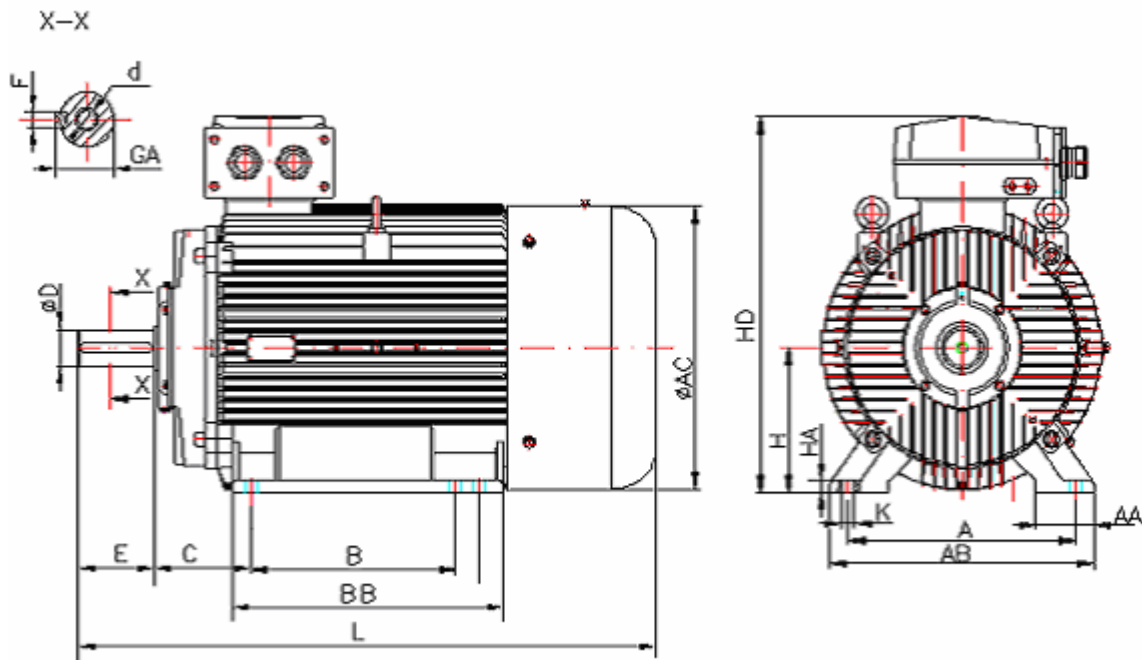


**DATA SHEET**

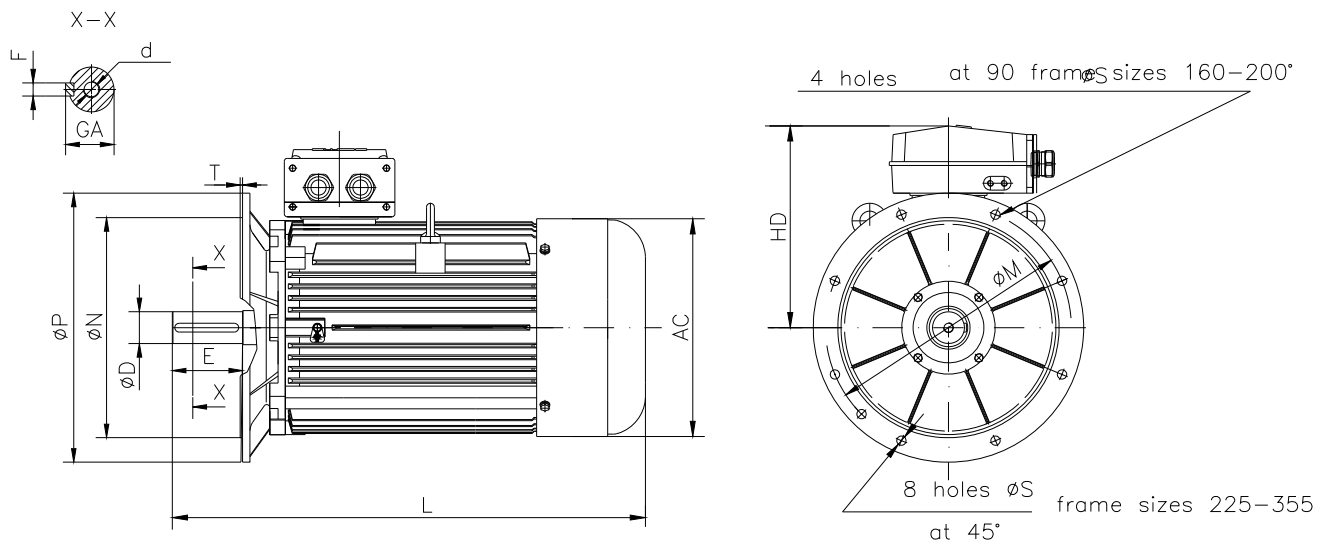
- Type.....ASNA 355Ma-4
- Reference standard..... IEC 60034-1  
60079-0;  
60079-15
- Rated output..... 250 kW
- Rated stator voltage.....400V
- Stator connection..... Δ
- Stator current at 100% load ..... 430.27 [A]
- Number of poles.....4
- Rated speed/Rated frequency.....1485 rev/min/50Hz
- Efficiency at 100% load.....95.3%
- Power factor at 100% load.....0.88
- Break-down torque.....2.3 x Mn
- Locked rotor torque.....2.3x Mn
- Locked rotor current.....6.5 x In
- J motor .....6.79104 kgm<sup>2</sup>
- Insulation class.....F
- Direction of rotation.....REVERSIBLE
- Protection degree.....≥IP55
- Mounting.....IM
- Cooling method.....IC 411
- Max. ambient temperature.....40°C
- Altitude.....1000m
- Bearing type.....6322 drive end  
6322 non drive end
- Lubrication..... regreasable bearings with UM 185 Li 3,  
Shell Alvania R3, SKF LGTH3 or similar
- Relubricated interval .....7500[hrs] DE and NDE
- Corrected interval..... 2500 [hrs] DE and NDE
- Grease quantity .....75g/bearing DE and NDE
- Weight.....1530 Kg
- Outline drawing.....Page 2
- Vibration level :.....A (acc.IEC 60034-14 )
- Noise level .....acc.IEC 60034-9
- Cable entries.....2 xM63x1.5
- Minimum and maximum admissible supply cable diameter..... 29-44mm
- Climate execution .....N

**The overall and mounting dimensions  
IM 1001**



Frame size	Dimensions (mm)																
	Foot mounting									Shaft extension					HD max	AC	L max
A	B	C	H	K	AA	AB	BB	HA	D	E	F	GA	d				
355M a-4	610	560	254	355	28	110	714	695	32	100m6	210	28h9	106	M24	920	698	1490

**The overall and mounting dimensions  
IM 3001; IM 3011**



Frame size	Dimensions (mm)												
	Flange mounting (B5)					Shaft extension					HD max	AC	L max
N	M	P	S	T	D	E	F	GA	d				
355M a-4	680	740	800	24	6	100m6	210	28h9	106	M24	565	698	1490

**The overall and mounting dimensions  
IMB35**



Frame size	Dimensions (mm)																	
	Foot mounting					Flange mounting					Shaft extension					HD max	AC	L max
A	B	C	H <sub>0.5</sub>	K	N	M	P	S	T	D	E	F	GA	d				
355Ma-4	610	560	254	355	28	680	740	800	24	6	100m6	210	28h9	106	M24	920	698	1490