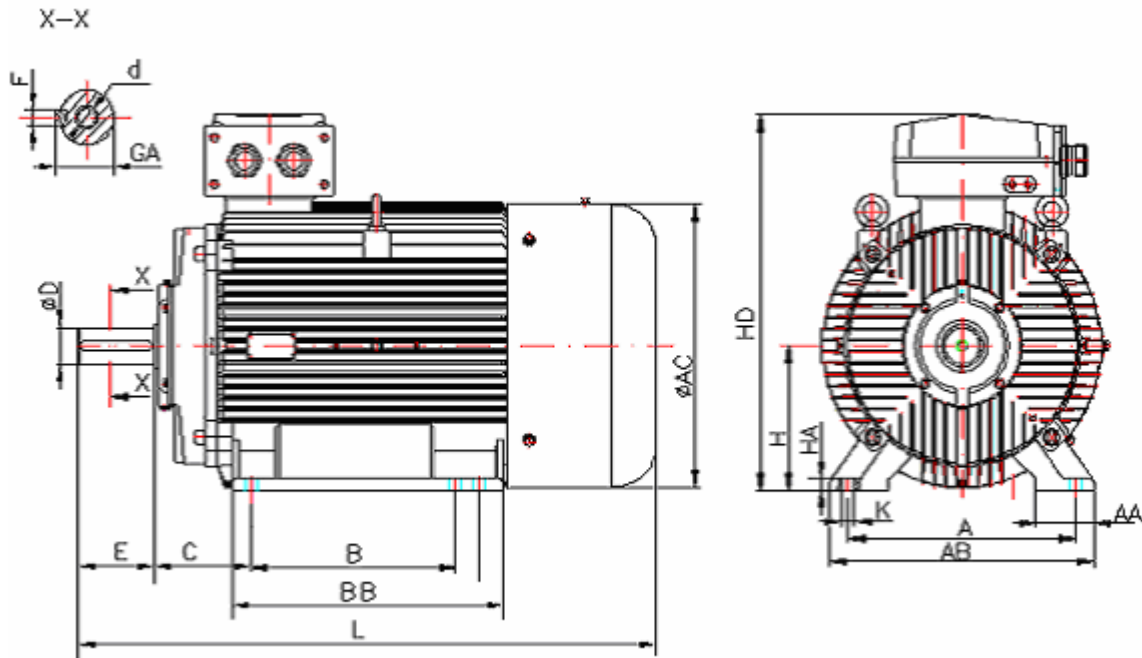


DATA SHEET

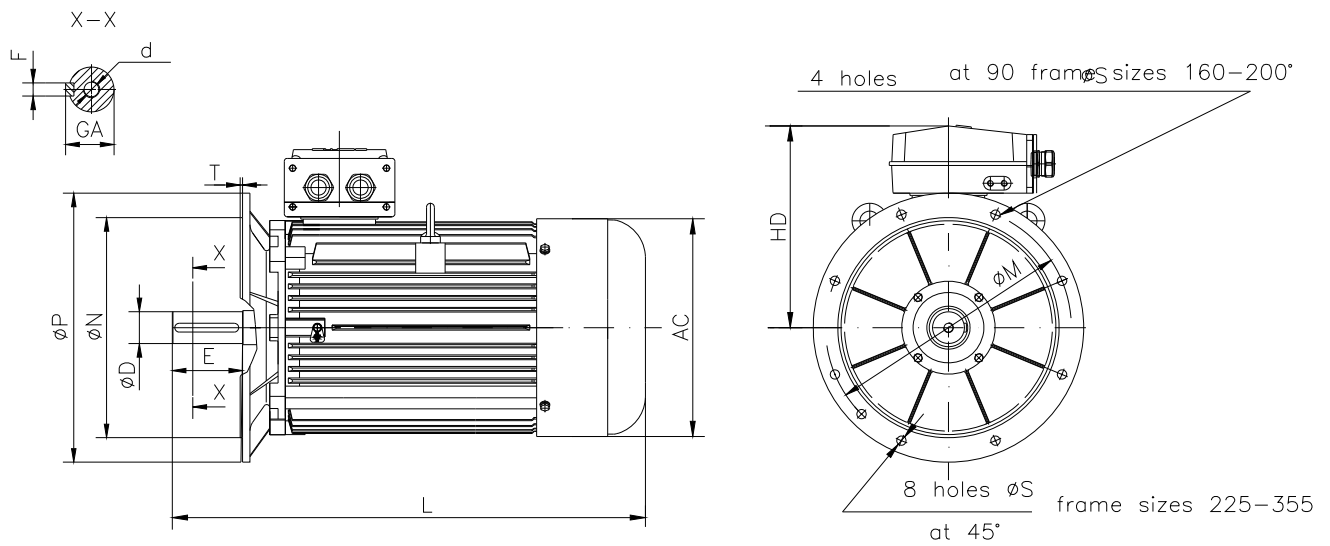
- Type.....ASNA 355Ma-2
- Reference standard..... IEC 60034-1
60079-0;
60079-15
- Rated output..... 250 kW
- Rated stator voltage.....400V
- Stator connection..... Δ
- Stator current at 100% load 431.18 [A]
- Number of poles.....2
- Rated speed/Rated frequency.....2975 rev/min/50Hz
- Efficiency at 100% load.....95.1%
- Power factor at 100% load.....0.88
- Break-down torque.....2.8 x Mn
- Locked rotor torque.....2.2x Mn
- Locked rotor current.....6.3 x In
- J motor3.42549 kgm²
- Insulation class.....F
- Direction of rotation.....REVERSIBLE
- Protection degree.....≥IP55
- Mounting.....IM
- Cooling method.....IC 411
- Max. ambient temperature.....40°C
- Altitude.....1000m
- Bearing type.....6319 drive end
6319 non drive end
- Lubrication..... regreasable bearings with UM 185 Li 3,
Shell Alvania R3, SKF LGTH3 or similar
- Relubricated interval4200[hrs] DE and NDE
- Corrected interval..... 1000 [hrs] DE and NDE
- Grease quantity37g/bearing DE and NDE
- Weight.....1300 Kg
- Outline drawing.....Page 2
- Vibration level :.....A (acc.IEC 60034-14)
- Noise levelacc.IEC 60034-9
- Cable entries.....2 xM63x1.5
- Climate executionN

**The overall and mounting dimensions
IM 1001**



Frame size	Dimensions (mm)																
	Foot mounting									Shaft extension					HD max	AC	L max
355M a-2	A	B	C	H	K	AA	AB	BB	HA	D	E	F	GA	d			
	610	560	254	355	28	110	714	695	32	70m6	140	20h9	74.5	M20	920	698	1380

**The overall and mounting dimensions
IM 3001; IM 3011**



Frame size	Dimensions (mm)												
	Flange mounting (B5)					Shaft extension					HD max	AC	L max
N	M	P	S	T	D	E	F	GA	d				
355M a-2	680	740	800	24	6	70m6	140	20h9	74.5	M20	565	698	1380

**The overall and mounting dimensions
IMB35**



Frame size	Dimensions (mm)																	
	Foot mounting					Flange mounting					Shaft extension					HD max	AC	L max
A	B	C	H _{0.5}	K	N	M	P	S	T	D	E	F	GA	d				
355Ma-2	610	560	254	355	28	680	740	800	24	6	70m6	140	20h9	74.5	M20	920	698	1380