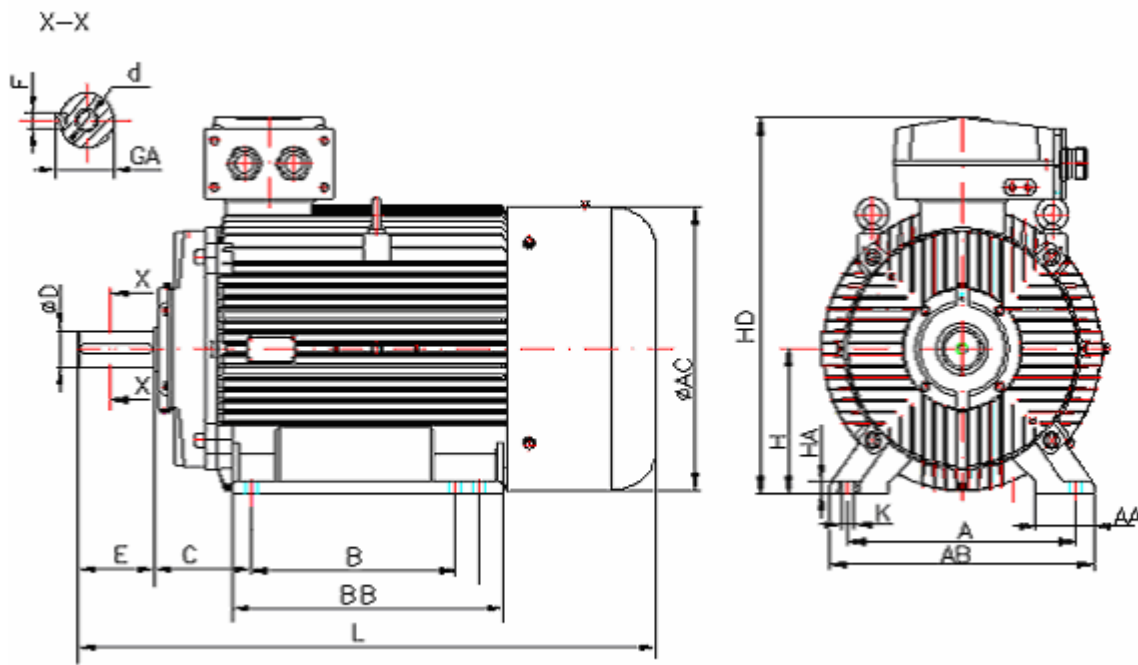


DATA SHEET

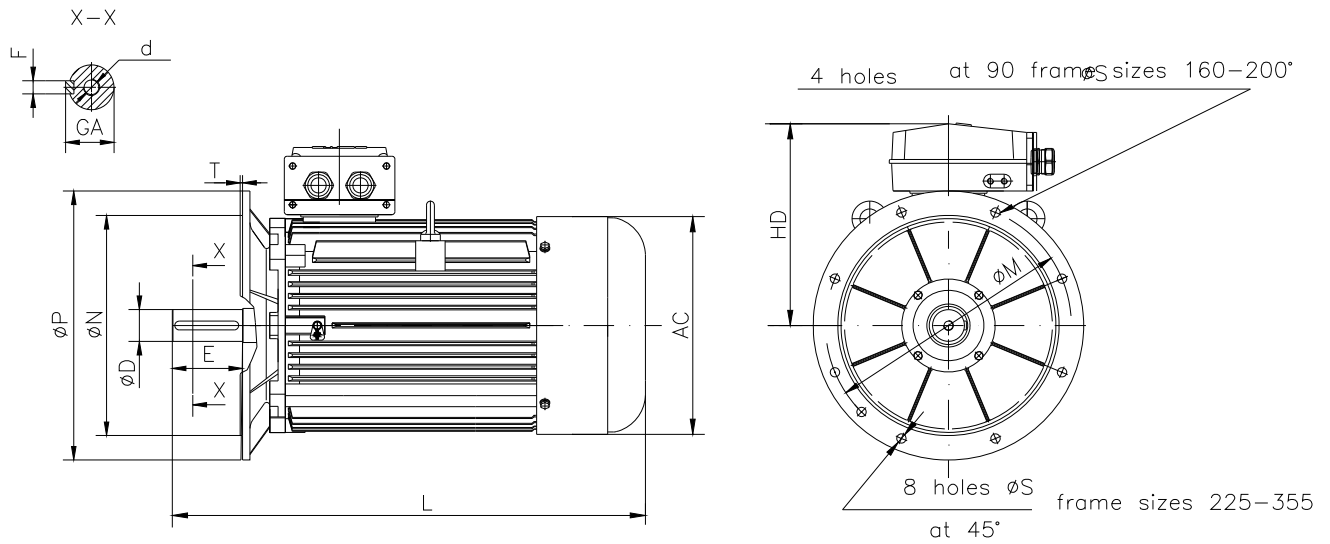
- Type.....ASNA 355L-8
- Reference standard..... IEC 60034-1
60079-0;
60079-15
- Rated output..... 200 kW
- Rated stator voltage.....400V
- Stator connection..... Δ
- Stator current at 100% load365.72 [A]
- Number of poles.....8
- Rated speed/Rated frequency.....739 rev/min/50Hz
- Efficiency at 100% load.....95.1%
- Power factor at 100% load.....0.83
- Break-down torque.....2.0 x Mn
- Locked rotor torque.....2.0x Mn
- Locked rotor current.....5.5 x In
- J motor9.79879 kgm²
- Insulation class.....F
- Direction of rotation.....REVERSIBLE
- Protection degree.....≥IP55
- Mounting.....IM
- Cooling method.....IC 411
- Max. ambient temperature.....40°C
- Altitude.....1000m
- Bearing type.....6322 drive end
6322 non drive end
- Lubrication..... regreasable bearings with UM 185 Li 3,
Shell Alvania R3, SKF LGTH3 or similar
- Relubricated interval7500[hrs] DE and NDE
- Corrected interval..... 2500 [hrs] DE and NDE
- Grease quantity75g/bearing DE and NDE
- Weight.....1630 Kg
- Outline drawing.....Page 2
- Vibration level :.....A (acc.IEC 60034-14)
- Noise levelacc.IEC 60034-9
- Cable entries.....2 xM63x1.5
- Minimum and maximum admissible supply cable diameter..... 29-44mm
- Climate executionN

**The overall and mounting dimensions
IM 1001**



Frame size	Dimensions (mm)																
	Foot mounting								Shaft extension					HD max	AC	L max	
A	B	C	H	K	AA	AB	BB	HA	D	E	F	GA	d				
355L-8	610	630	254	355	28	110	714	765	32	100m6	210	28h9	106	M24	920	698	1570

**The overall and mounting dimensions
IM 3001; IM 3011**



Frame size	Dimensions (mm)											HD max	AC	L max
	Flange mounting (B5)					Shaft extension								
355L-8	N	M	P	S	T	D	E	F	GA	d				
	680	740	800	24	6	100m6	210	28h9	106	M24	565	698	1570	

**The overall and mounting dimensions
IMB35**



Frame size	Dimensions (mm)																			
	Foot mounting					Flange mounting					Shaft extension					HD max	AC	L max		
A	B	C	H _{0,5}	K	N	M	P	S	T	D	E	F	GA	d						
355L-8	610	630	254	355	28	680	740	800	24	6	100	62	10	28	h9	106	M24	920	698	1570