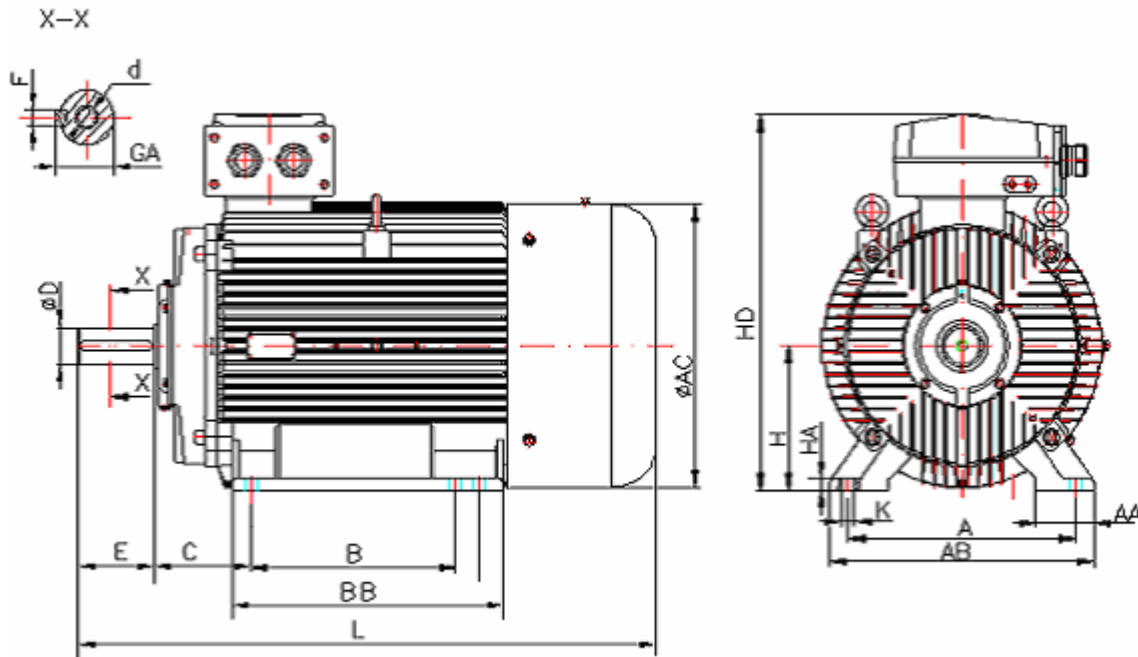


DATA SHEET

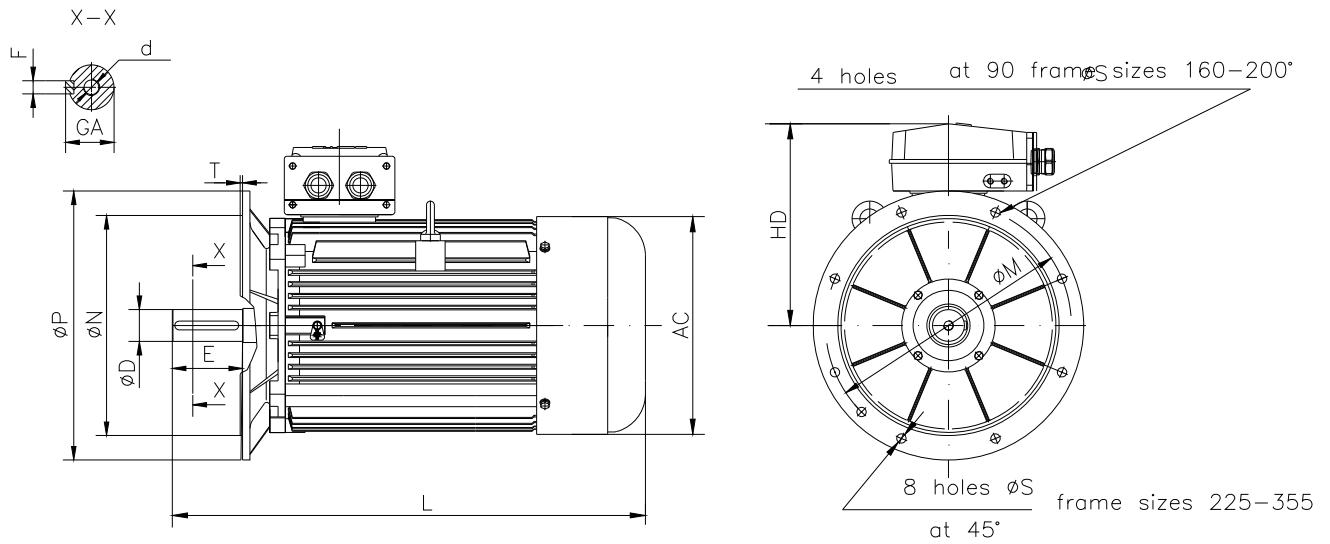
- Type.....ASNA 355L-4
- Reference standard..... IEC 60034-1
60079-0;
60079-15
- Rated output..... 315 kW
- Rated stator voltage.....400 V
- Stator current at 100% load at 400 V..... 534.93 A
- Rated frequency.....50 Hz
- Number of poles.....4
- Rated speed.....1485 rev/min
- Efficiency at 100% load.....95.5%
- Power factor at 100% load.....0.89
- Rated duty.....S1(continuous duty)
- Break-down torque.....2.5 x Mn
- Locked rotor torque.....2.5 x Mn
- Locked rotor current.....6.6 x In
- Rotor inertia.....7.99833 kgm²
- Insulation class.....F
- Direction of rotation.....Both(CW&CCW)
- Protection degree.....IP55
- Mounting.....IMB3
- Cooling method.....IC 411
- Ambient temperature.....+40°C
- Altitude.....1000m
- Bearing type..... 6322 drive end
6322 non drive end
- Lubrication..... regreasable bearings with UM 185 Li 3,
Shell Alvania R3, SKF LGTH3 or similar
- Relubricating interval7500[hrs] DE and NDE
- Correcting interval.....2500[hrs] DE and NDE
- Grease quantity75g/bearing DE and NDE
- Weight.....1850 Kg
- Outline drawing.....Page 2
- Vibration level :A(acc.IEC 60034-14)
- Noise levelacc.IEC 60034-9
- Cable entries.....2xM63x1.5
- Minimum and maximum admissible supply cable diameter..... 29-44mm
- Climate executionN

**The overall and mounting dimensions
IM 1001**



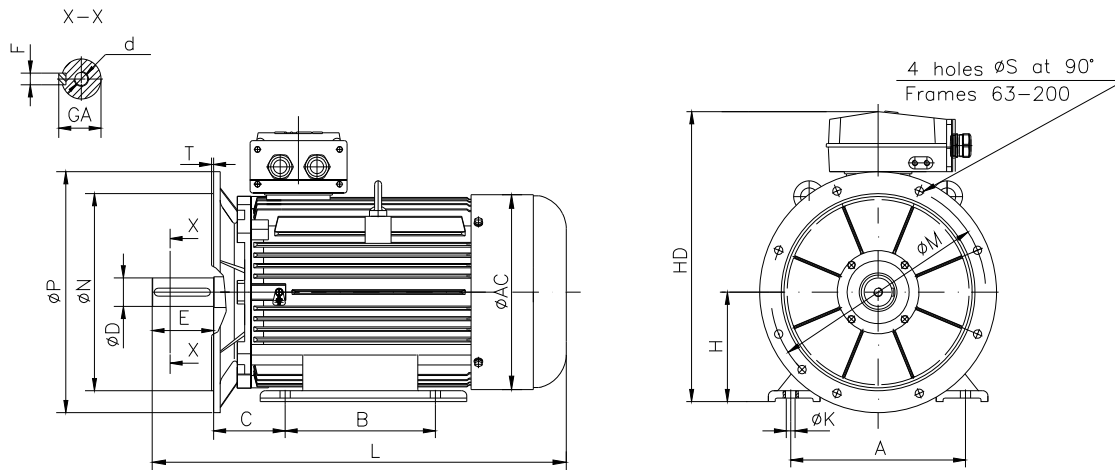
Frame size	Dimensions (mm)																
	Foot mounting									Shaft extension					HD max	AC	L max
A	B	C	H	K	AA	AB	BB	HA	D	E	F	GA	d				
355L-4	610	630	254	355	28	110	714	765	32	100m6	210	28h9	106	M24	920	698	1570

**The overall and mounting dimensions
IM 3001; IM 3011**



Frame size	Dimensions (mm)											HD max	AC	L max
	Flange mounting (B5)					Shaft extension								
	N	M	P	S	T	D	E	F	GA	d				
355L-4	680	740	800	24	6	100m6	210	28h9	106	M24		565	698	1570

**The overall and mounting dimensions
IMB35**



Frame size	Dimensions (mm)																	
	Foot mounting					Flange mounting					Shaft extension					HD max	AC	L max
A	B	C	H _{-0,5}	K	N	M	P	S	T	D	E	F	GA	d				
355L-4	610	630	254	355	28	680	740	800	24	6	100m6	210	28h9	106	M24	920	698	1570