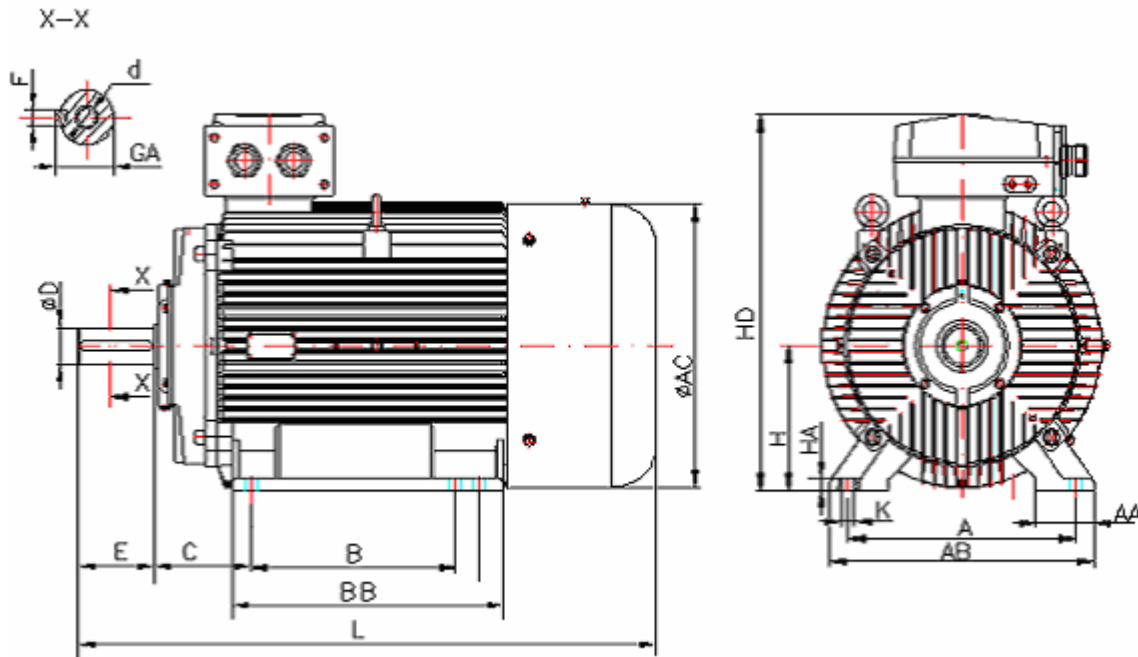


DATA SHEET

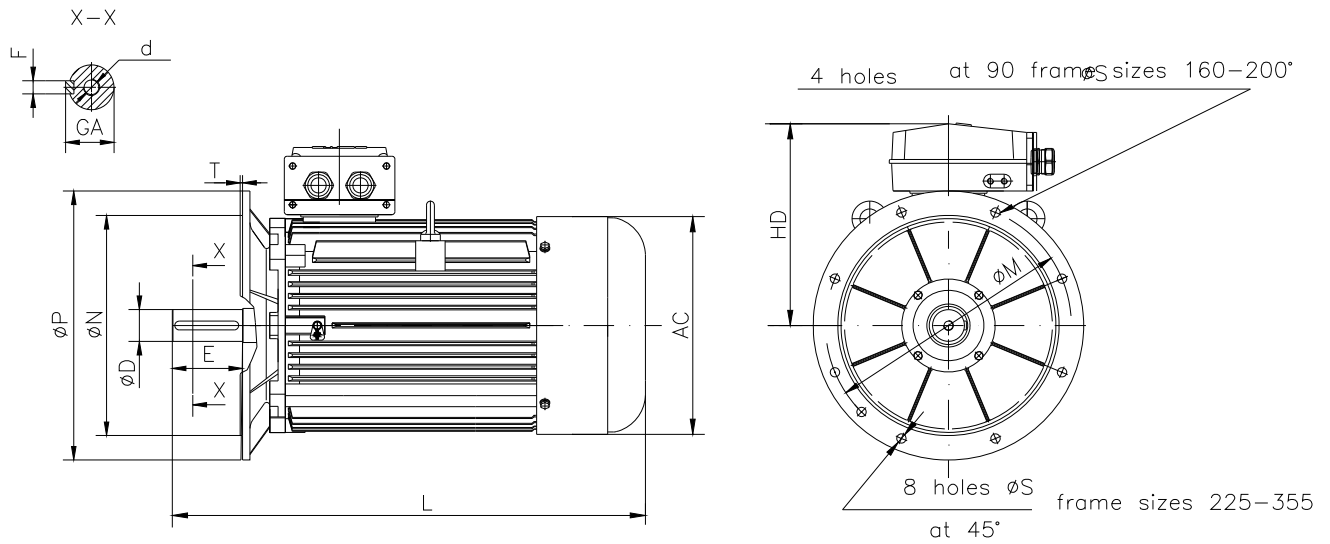
- Type.....ASNA 355L-2
- Reference standard..... IEC 60034-1
60079-0;
60079-15
- Rated output..... 315 kW
- Rated stator voltage.....400 V
- Stator current at 100% load at 400 V.....542.14 A
- Rated frequency.....50 Hz
- Number of poles.....2
- Rated speed.....2975 rev/min
- Efficiency at 100% load.....95.3%
- Power factor at 100% load.....0.88
- Rated duty.....S1(continuous duty)
- Break-down torque.....2.9 x Mn
- Locked rotor torque.....2.3 x Mn
- Locked rotor current.....6.3 x In
- Rotor inertia.....4.09156 kgm²
- Insulation class.....F
- Direction of rotation.....Both(CW&CCW)
- Protection degree.....IP55
- Mounting.....IM
- Cooling method.....IC 411
- Ambient temperature.....+40°C
- Altitude.....1000m
- Bearing type..... 6319 drive end
6319 non drive end
- Lubrication..... regreasable bearings with UM 185 Li 3,
Shell Alvania R3, SKF LGTH3 or similar
- Relubricating interval4200[hrs] DE and NDE
- Correcting interval.....2000 [hrs] DE and NDE
- Grease quantity37g/bearing DE and NDE
- Weight.....1510 Kg
- Outline drawing.....Page 2
- Vibration level :.....A(acc.IEC 60034-14)
- Noise levelacc.IEC 60034-9
- Cable entries.....2xM63x1.5
- Minimum and maximum admissible supply cable diameter..... 29-44mm
- Climate executionN

**The overall and mounting dimensions
IM 1001**



Frame size	Dimensions (mm)														HD max	AC	L max
	Foot mounting							Shaft extension									
	A	B	C	H	K	AA	AB	BB	HA	D	E	F	GA	d			
355L-2	610	630	254	355	28	110	714	765	32	70m6	140	20h9	74.5	M20	920	698	1460

**The overall and mounting dimensions
IM 3001; IM 3011**



Frame size	Dimensions (mm)											HD max	AC	L max
	Flange mounting (B5)					Shaft extension								
	N	M	P	S	T	D	E	F	GA	d				
355L-2	680	740	800	24	6	70m6	140	20h9	74.5	M20	565	698	1460	

**The overall and mounting dimensions
IMB35**



Frame size	Dimensions (mm)																	
	Foot mounting					Flange mounting					Shaft extension					HD max	AC	L max
A	B	C	H _{0.5}	K	N	M	P	S	T	D	E	F	GA	d				
355L-2	610	630	254	355	28	680	740	800	24	6	70m6	140	20h9	74.5	M20	920	698	1460