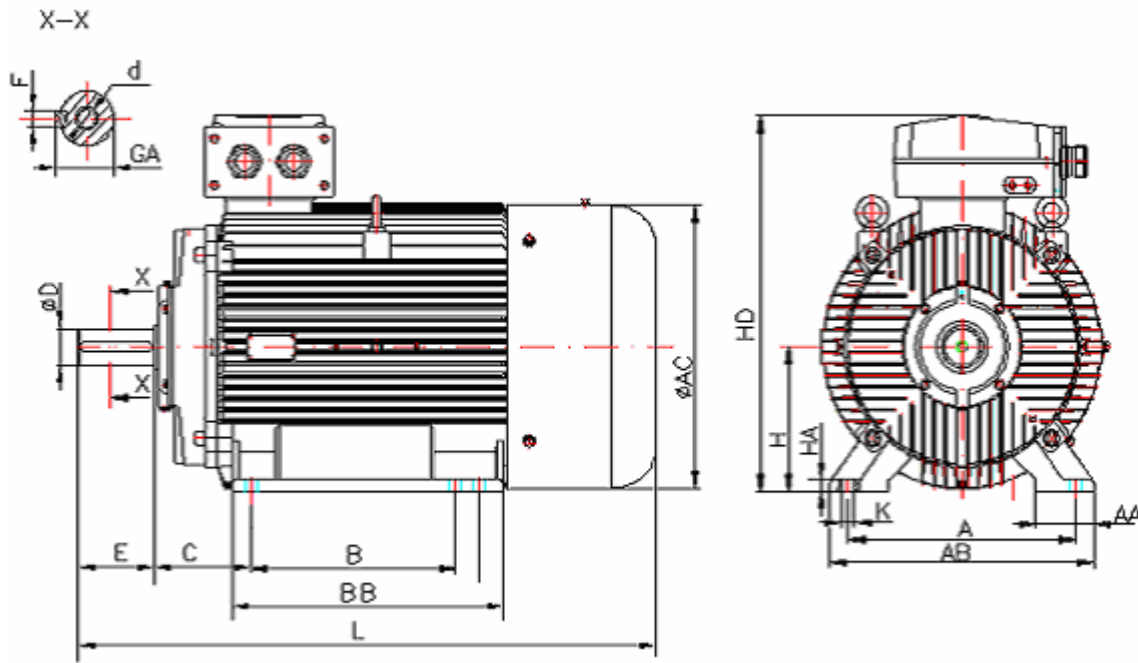


DATA SHEET

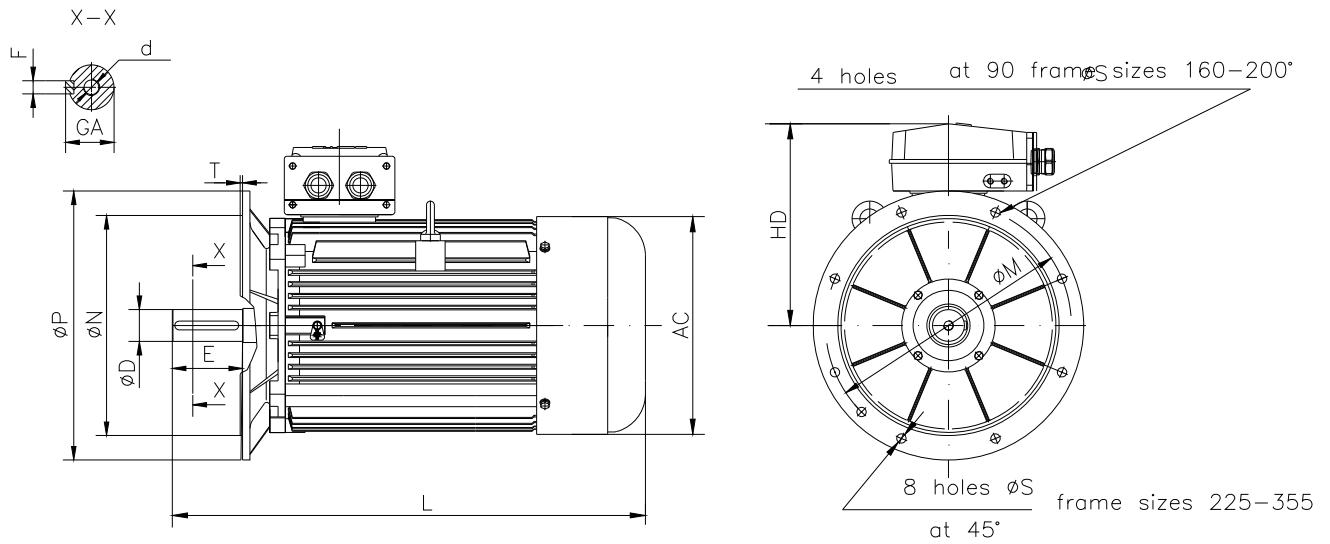
- Type.....ASNA 315LZ-8
- Reference standard..... IEC 60034-1
60079-0;
60079-15
- Rated output..... 132 kW
- Rated stator voltage.....400V
- Stator current at 100% load.....256.08 A
- Rated frequency.....50 Hz
- Number of poles.....8
- Rated speed.....735 rev/min
- Efficiency at 100% load.....93%
- Power factor at 100% load.....0.8
- Break-down torque.....2.0 x Mn
- Locked rotor torque.....1.8 x Mn
- Locked rotor current.....5.5 x In
- Rotor inertia.....6.55214 kgm²
- Insulation class.....F
- Direction of rotation.....Both(CW&CCW)
- Protection degree.....≥IP55
- Mounting.....IM
- Cooling method.....IC 411
- Max. ambient temperature.....+40°C
- Altitude.....1000m
- Bearing type.....6319 drive end
6319 non drive end
- Lubrication..... regreasable bearings with UNIREX N2,
Shell Alvania R3, SKF LGTH3 or similar
- Relubricating interval8700 hrs DE and NDE
- Correcting interval.....3000 hrs DE and NDE
- Grease quantity45g/bearing DE and NDE
- Weight.....1100 Kg
- Outline drawing.....Page 2
- Thermal winding protection.....3xPTC
- Vibration level :A(acc.IEC 60034-14)
- Noise levelacc.IEC 60034-9
- Cable entries.....2xM63x1.5
- Additional cable entries.....1xM16x1.5
- Climate executionN

**The overall and mounting dimensions
IM 1001**



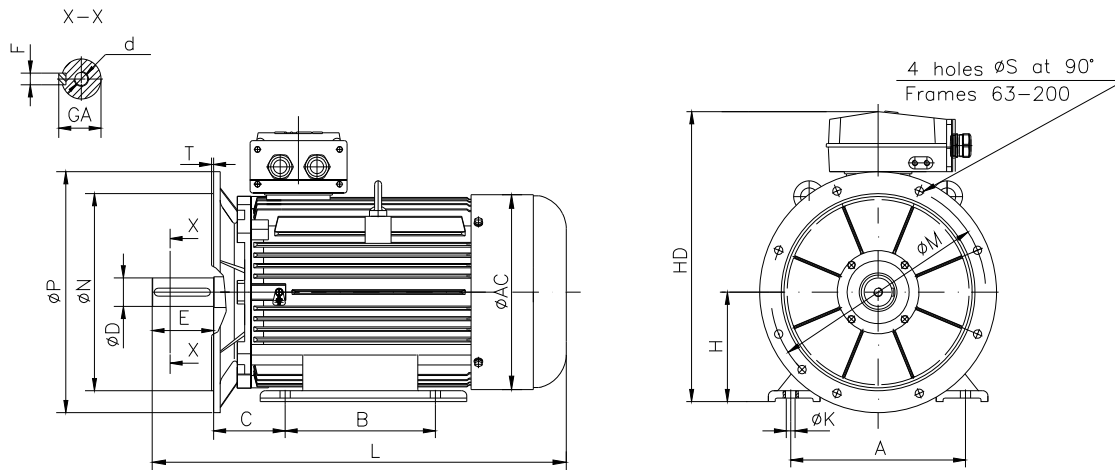
Frame size	Dimensions (mm)																
	Foot mounting								Shaft extension						HD max	AC	L max
A	B	C	H	K	AA	AB	BB	HA	D	E	F	GA	d				
315L Z-8	508	508	216	315	28	130	590	607	25	80m6	170	22h9	85	M20	819	623	1292

**The overall and mounting dimensions
IM 3001; IM 3011**



Frame size	Dimensions (mm)											HD max	AC	L max
	Flange mounting (B5)					Shaft extension								
315LZ-8	N	M	P	S	T	D	E	F	GA	d				
	550	600	660	24	6	80m6	170	22h9	85	M20	504	623	1292	

**The overall and mounting dimensions
IMB35**



Frame size	Dimensions (mm)																	
	Foot mounting					Flange mounting					Shaft extension					HD max	AC	L max
A	B	C	H _{0.5}	K	N	M	P	S	T	D	E	F	GA	d				
315LZ-8	508	508	216	315	28	550	600	660	24	6	80m6	170	22h9	85	M20	819	623	1292