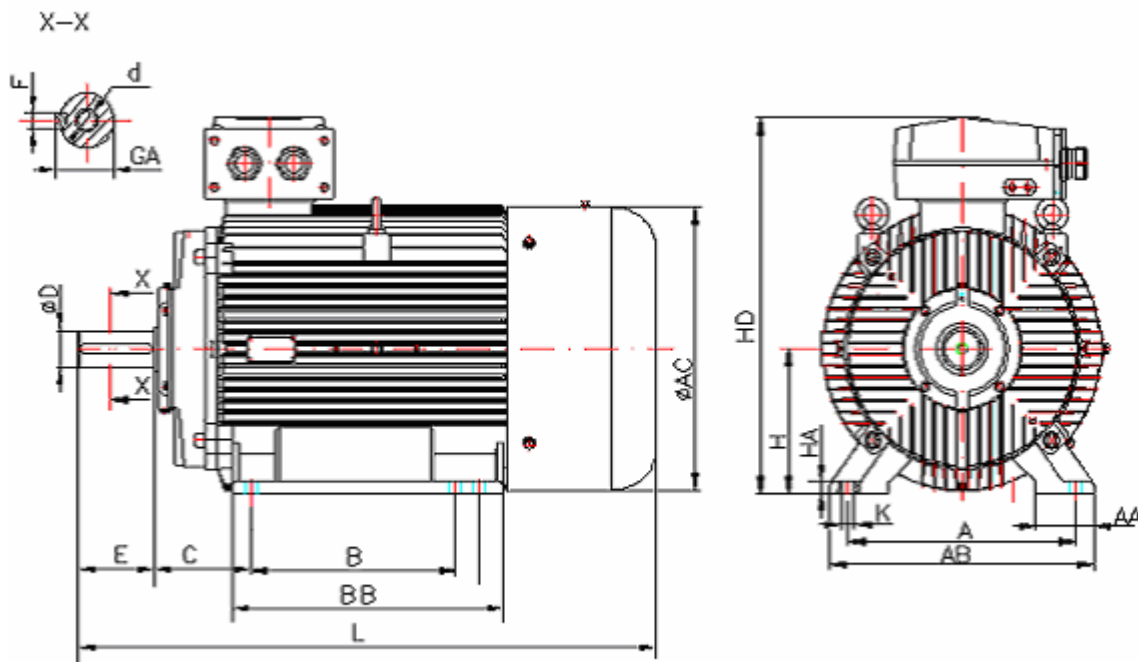


DATA SHEET

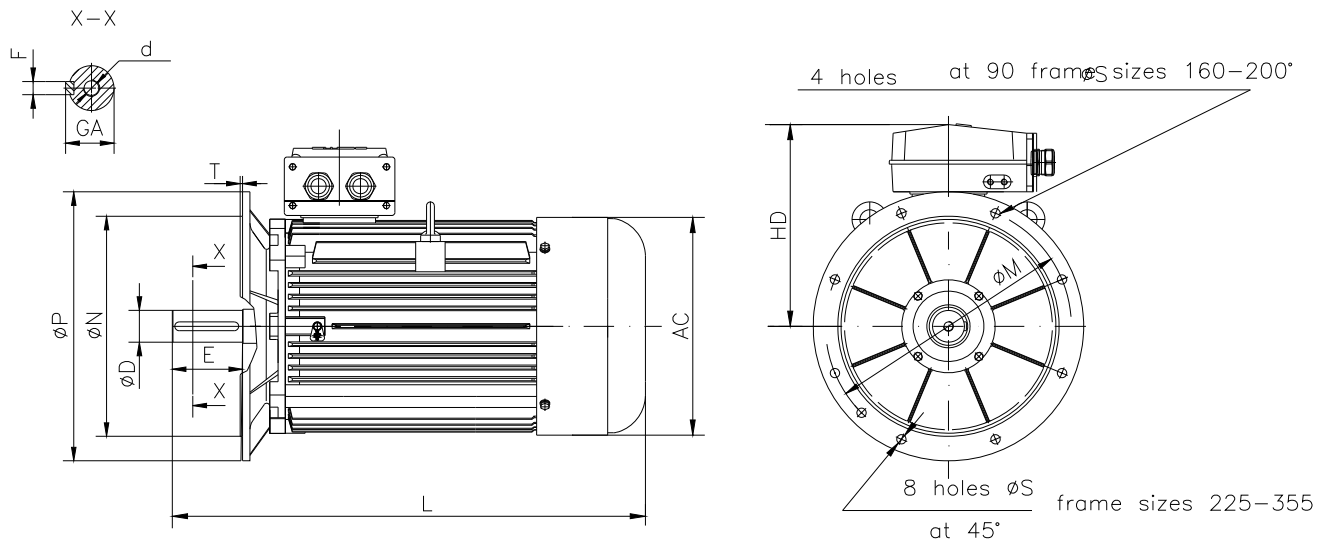
○ Type.....	ASNA 315LY-8
○ Reference standard.....	IEC 60034-1 60079-0; 60079-15
○ Rated output.....	110 kW
○ Rated stator voltage.....	400V
○ Stator current at 100% load.....	213.4 A
○ Rated frequency.....	50 Hz
○ Number of poles.....	8
○ Rated speed.....	735 rev/min
○ Efficiency at 100% load.....	93%
○ Power factor at 100% load.....	0.8
○ Break-down torque.....	2.0 x Mn
○ Locked rotor torque.....	1.8 x Mn
○ Locked rotor current.....	5.9 x In
○ Rotor inertia.....	5.90525 kgm ²
○ Insulation class.....	F
○ Direction of rotation.....	Both(CW&CCW)
○ Protection degree.....	≥IP55
○ Mounting.....	IM
○ Cooling method.....	IC 411
○ Max. ambient temperature.....	+40°C
○ Altitude.....	1000m
○ Bearing type.....	6319 drive end 6319 non drive end
○ Lubrication.....	regreasable bearings with UNIREX N2, Shell Alvania R3, SKF LGTH3 or similar
○ Relubricated interval	8700 hrs DE and NDE
○ Corrected interval.....	3000 hrs DE and NDE
○ Grease quantity	45g/bearing DE and NDE
○ Weight.....	816 Kg
○ Outline drawing.....	Page 2
○ Thermal winding protection.....	3xPTC
○ Vibration level :	A(acc.IEC 60034-14)
○ Noise level	acc.IEC 60034-9
○ Cable entries.....	2xM63x1.5
○ Additional cable entries.....	1xM16x1.5
○ Climate execution	N

**The overall and mounting dimensions
IM 1001**



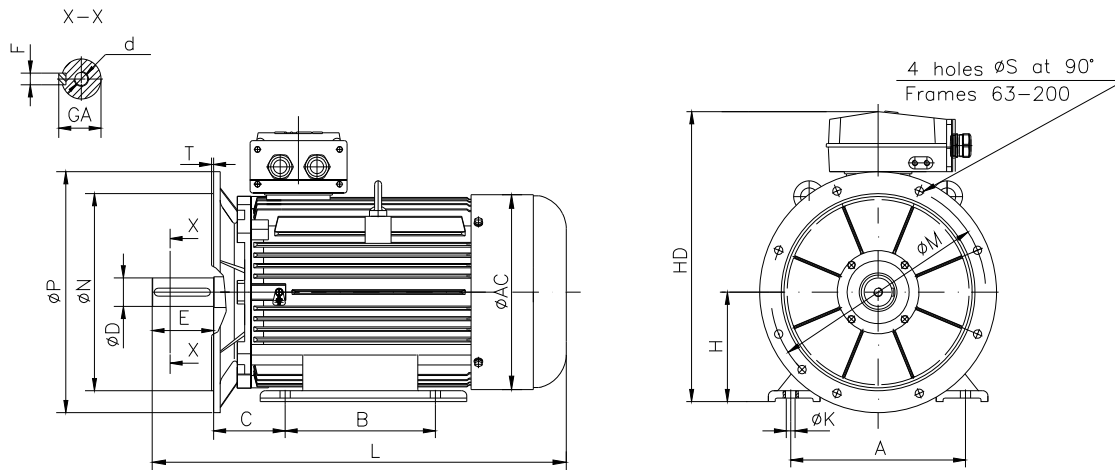
Frame size	Dimensions (mm)																
	Foot mounting									Shaft extension					HD max	AC	L max
A	B	C	H	K	AA	AB	BB	HA	D	E	F	GA	d				
315L Y-8	508	508	216	315	28	130	590	607	25	80m6	170	22h9	85	M20	819	623	1292

**The overall and mounting dimensions
IM 3001; IM 3011**



Frame size	Dimensions (mm)											HD max	AC	L max
	Flange mounting (B5)					Shaft extension								
315L Y-8	N	M	P	S	T	D	E	F	GA	d				
	550	600	660	24	6	80m6	170	22h9	85	M20	504	623	1292	

**The overall and mounting dimensions
IMB35**



Frame size	Dimensions (mm)																	
	Foot mounting					Flange mounting					Shaft extension					HD max	AC	L max
A	B	C	H _{0,5}	K	N	M	P	S	T	D	E	F	GA	d				
315LY-8	508	508	216	315	28	550	600	660	24	6	80m6	170	22h9	85	M20	819	623	1292