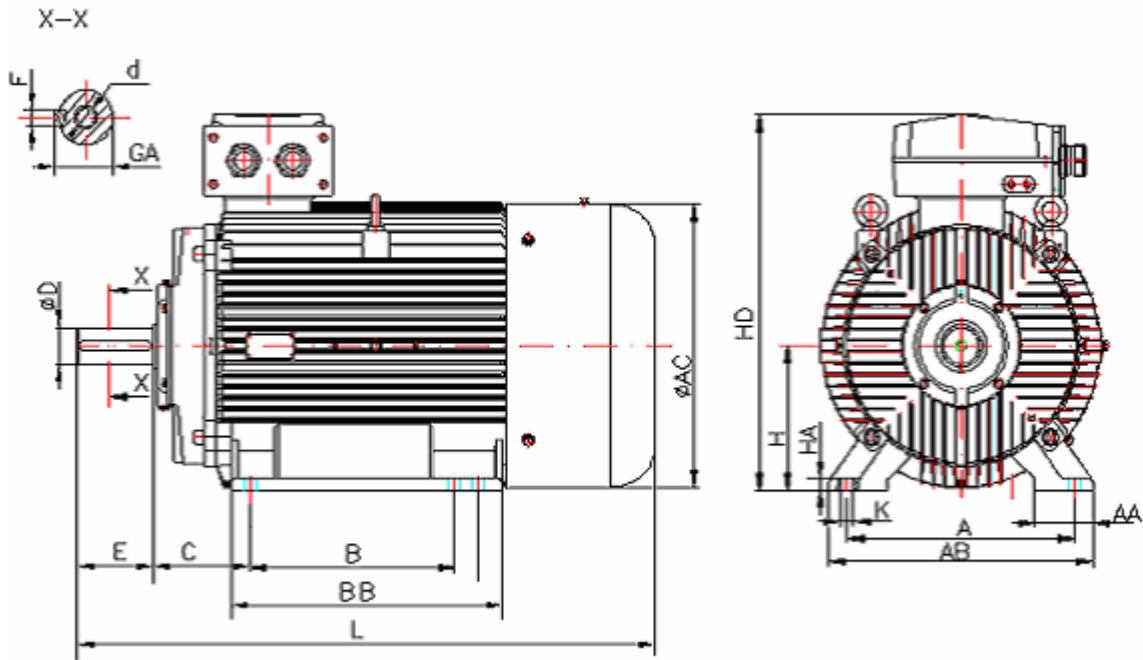


DATA SHEET

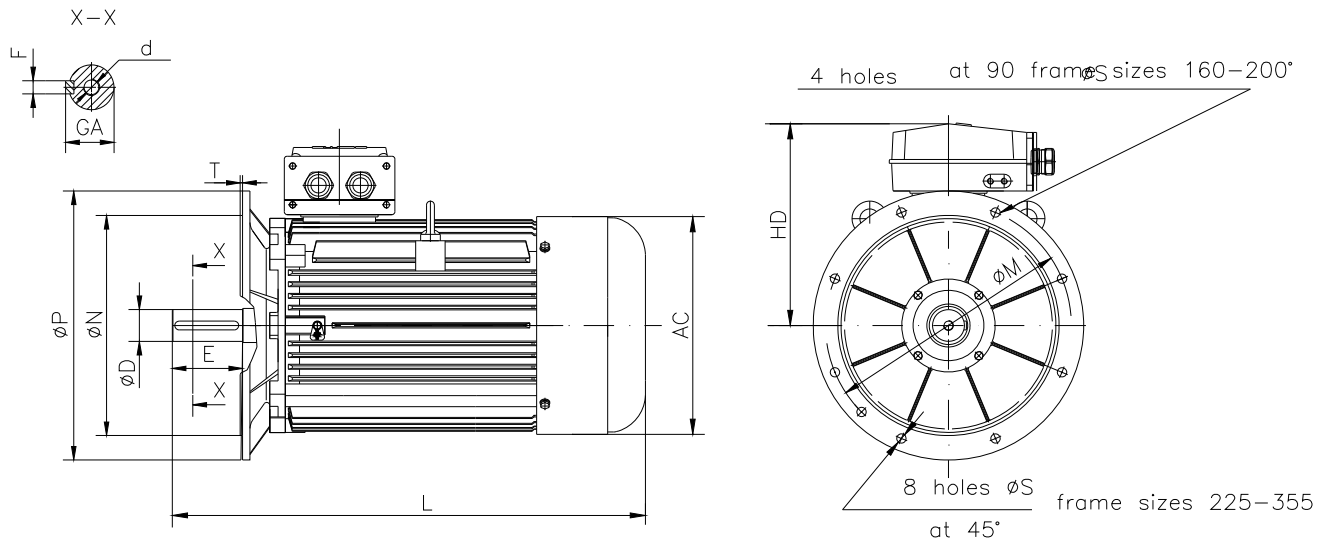
○ Type.....	E2-ASNA 200La-6
○ Reference standard.....	IEC 60034-1; 60034-30 60079-0; 60079-15
○ Rated output.....	22 kW
○ Rated stator voltage.....	400V
○ Rated frequency.....	50 Hz
○ Stator current at 100% load.....	38.9 A
○ Number of poles.....	6
○ Rated speed.....	979 rev/min
○ Efficiency at 100%, 75%, 50% load.....	91.7%, 91.5%, 90.8%
○ Power factor at 100% load.....	0.89
○ Break-down torque.....	2.8 x Mn
○ Locked rotor torque.....	2.1 x Mn
○ Locked rotor current.....	7.8 x In
○ Rotor inertia.....	0.45198 kgm ²
○ Insulation class.....	F
○ Direction of rotation.....	Both(CW&CCW)
○ Protection degree.....	≥IP55
○ Mounting.....	IM
○ Cooling method.....	IC 411
○ Max. ambient temperature.....	+40°C
○ Altitude.....	1000m
○ Bearing type.....	6312 2Z drive end 6312 2Z non drive end
○ Weight.....	273Kg
○ Outline drawing.....	Page 2
○ Thermal winding protection.....	3xPTC
○ Vibration level.....	A(acc.IEC 60034-14)
○ Noise level	acc.IEC 60034-9
○ Cable entries.....	2xM50x1.5
○ Additional cable entries.....	1xM16x1.5
○ Climate execution	N

**The overall and mounting dimensions
IM 1001**



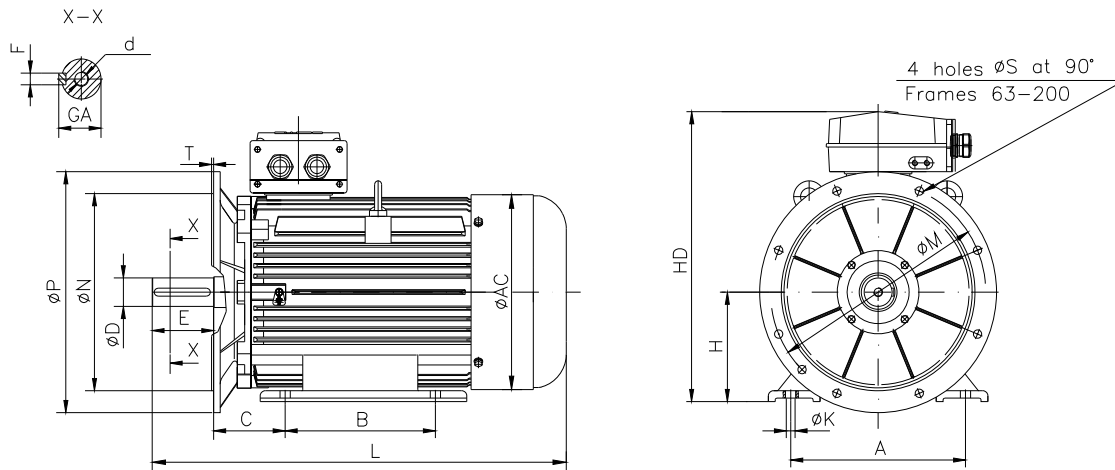
Frame size	Dimensions (mm)																
	Foot mounting								Shaft extension					HD max	AC	L max	
200La-6	A	B	C	H	K	AA	AB	BB	HA	D	E	F	GA				d
	318	305	133	200	18.5	82	400	380	25	55m6	110	16h9	59	M20	580	396	947

**The overall and mounting dimensions
IM 3001; IM 3011**



Frame size	Dimensions (mm)												
	Flange mounting (B5)					Shaft extension					HD max	AC	L max
N	M	P	S	T	D	E	F	GA	d				
200L a-6	300j6	350	400	18.5	5	55m6	110	16h9	59	M20	383	396	947

**The overall and mounting dimensions
IMB35**



Frame size	Dimensions (mm)																	
	Foot mounting					Flange mounting					Shaft extension					HD max	AC	L max
	A	B	C	H _{-0,5}	K	N	M	P	S	T	D	E	F	GA	d			
200La-6	318	305	133	200	18.5	300	350	400	18.5	5	55m6	110	16h9	59	M20	580	396	947