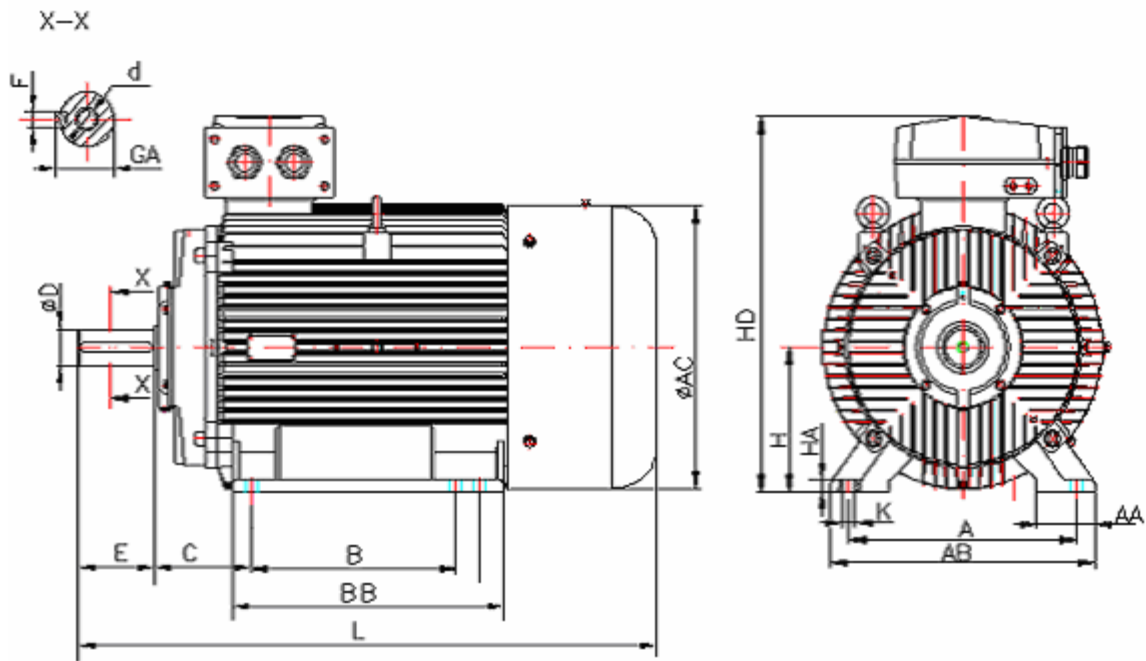


DATA SHEET

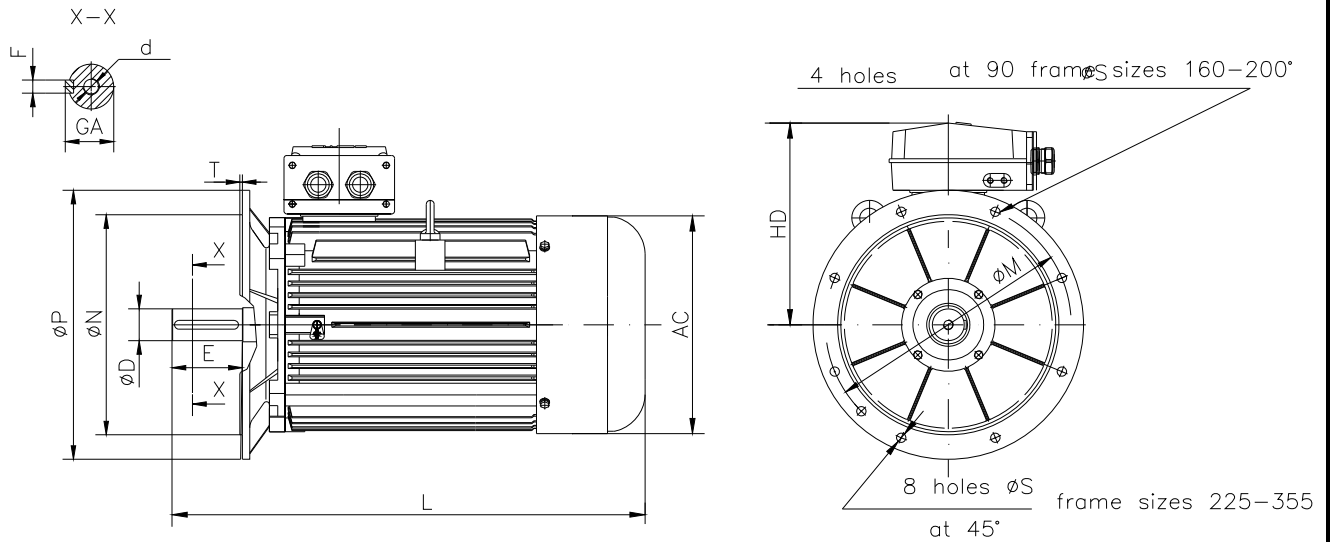
- Type.....E2-ASNA 180M-4
- Reference standard..... IEC 60034-1; 60034-30
60079-0;
60079-15
- Rated output..... 18.5 kW
- Rated stator voltage.....400V
- Stator current at 100% load33.3 [A]
- Number of poles.....4
- Rated speed.....1471 rev/min
- Rated frequency.....50 Hz
- Efficiency at 100%, 75%, 50% load.....92.6%, 92.5%, 91.5%
- Power factor at 100% load.....0.87
- Break-down torque.....2.8 x Mn
- Locked rotor torque.....2.3 x Mn
- Locked rotor current.....7.7 x In
- Rotor inertia.....0.16731 kgm²
- Insulation class.....F
- Direction of rotation.....Both(CW&CCW)
- Protection degree.....≥IP55
- Mounting.....IM
- Cooling method.....IC 411
- Max. ambient temperature+ 40°C
- Altitude.....1000m
- Bearing type.....6311 2Z drive end
6311 2Z non drive end
- Weight.....195Kg
- Outline drawing.....Page 2
- Vibration level :.....A (acc.IEC 60034-14)
- Noise levelacc.IEC 60034-9
- Cable entries.....2xM40x1.5
- Climate executionN

**The overall and mounting dimensions
IM 1001**



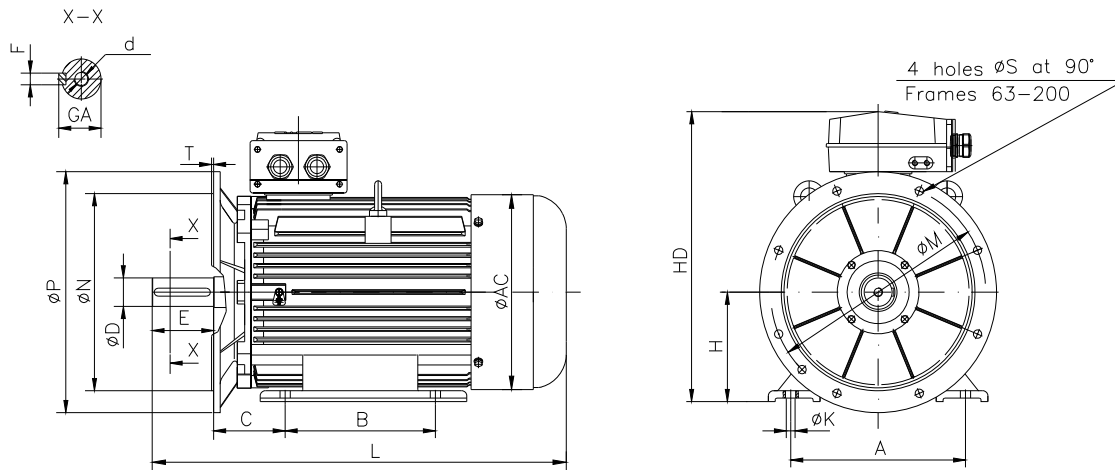
Frame size	Dimensions (mm)																
	Foot mounting								Shaft extension					HD max	AC	L max	
A	B	C	H	K	AA	AB	BB	HA	D	E	F	GA	d				
180M-4	279	241	121	180	14.5	80	360	340	25	48k6	110	14h9	51.5	M16	507	357	730

**The overall and mounting dimensions
IM 3001; IM 3011**



Frame size	Dimensions (mm)												
	Flange mounting (B5)					Shaft extension					HD max	AC	L max
N	M	P	S	T	D	E	F	GA	d				
180M-4	250j6	300	350	18.5	5	48k6	110	14h9	51.5	M16	327	357	730

**The overall and mounting dimensions
IMB35**



Frame size	Dimensions (mm)																HD max	AC	L max
	Foot mounting					Flange mounting					Shaft extension								
	A	B	C	H _{0.5}	K	N	M	P	S	T	D	E	F	GA	d				
180M-4	279	241	121	180	14.5	250	300	350	18.5	5	48k6	110	14h9	51.5	M16	507	357	730	