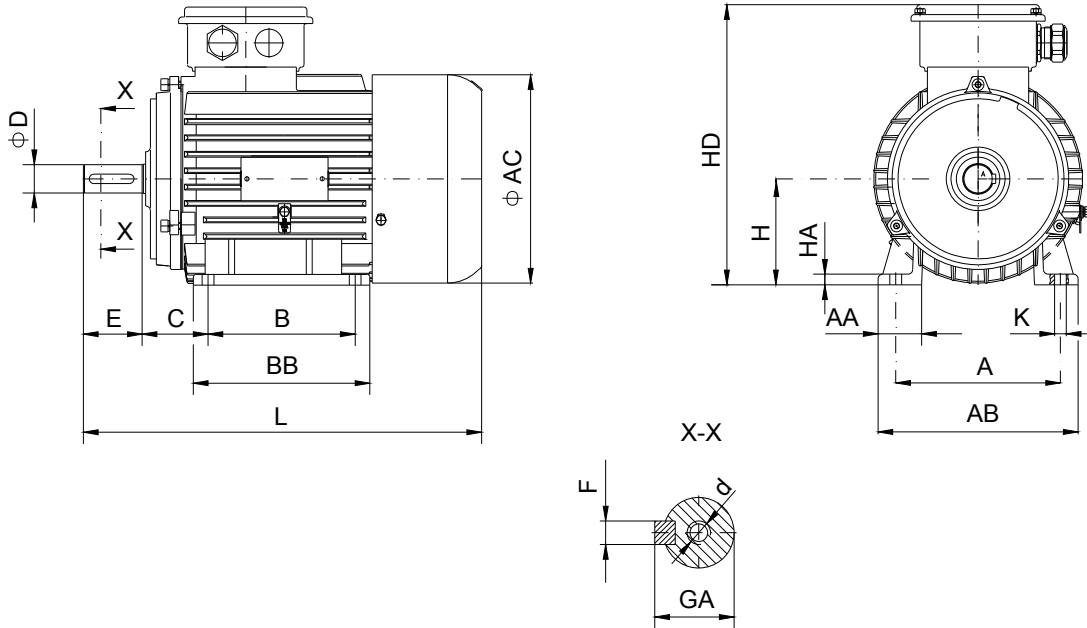


DATA SHEET

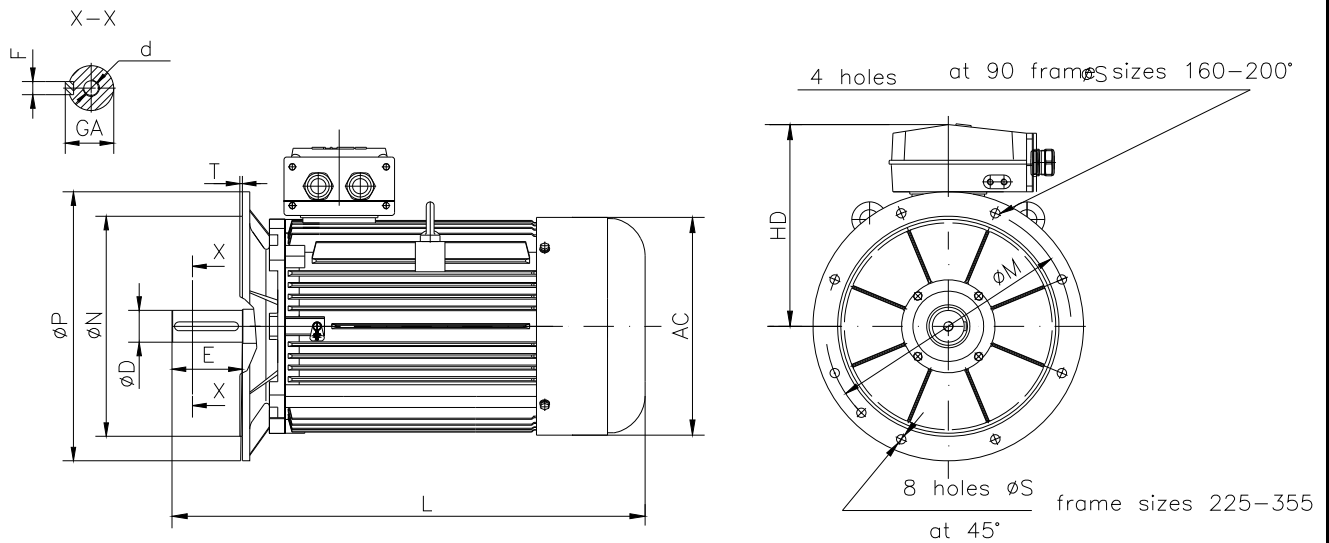
○ Type.....	E2-ASNA 160Ma-2
○ Reference standard.....	IEC 60034-1; 60034-30 60079-0; 60079-15
○ Rated output.....	11 kW
○ Rated stator voltage.....	400V
○ Stator current at 100% load	19.6 [A]
○ Number of poles.....	2
○ Rated speed.....	2925 rev/min
○ Rated frequency.....	50 Hz
○ Efficiency at 100%, 75%, 50% load.....	91.0%, 90.6%, 89.8%
○ Power factor at 100% load.....	0.90
○ Break-down torque.....	2.4 x Mn
○ Locked rotor torque.....	2.3 x Mn
○ Locked rotor current.....	7 x In
○ Rotor inertia.....	0.042474 kgm ²
○ Insulation class.....	F
○ Direction of rotation.....	Both(CW&CCW)
○ Protection degree.....	≥IP55
○ Mounting.....	IM
○ Cooling method.....	IC 411
○ Max. ambient temperature	+ 40°C
○ Altitude.....	1000m
○ Bearing type.....	6310 2Z drive end 6310 2Z non drive end
○ Weight.....	100Kg
○ Outline drawing.....	Page 2
○ Vibration level :	A (acc.IEC 60034-14)
○ Noise level	acc.IEC 60034-9
○ Cable entries.....	2xM40x1.5
○ Climate execution	N

**The overall and mounting dimensions
IM 1001**



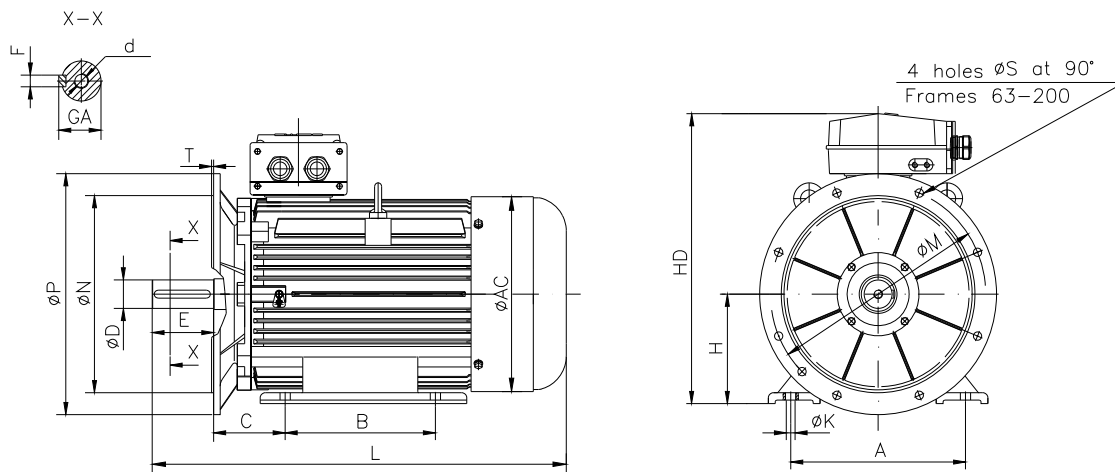
Frame size	Dimensions (mm)																
	Foot mounting									Shaft extension					HD max	AC	L max
160M a-2	A	B	C	H	K	AA	AB	BB	HA	D	E	F	GA	d			
	254	210	108	160	14.5	84	310	298	14	42k6	110	12h9	45	M16	471	315	660

**The overall and mounting dimensions
IM 3001; IM 3011**



Frame size	Dimensions (mm)												
	Flange mounting (B5)					Shaft extension					HD max	AC	L max
N	M	P	S	T	D	E	F	GA	d				
160M a-2	250j6	300	350	18.5	5	42k6	110	12h9	45	M16	311	315	660

**The overall and mounting dimensions
IMB35**



Frame size	Dimensions (mm)																HD max	AC	L max
	Foot mounting					Flange mounting					Shaft extension								
	A	B	C	H _{0,5}	K	N	M	P	S	T	D	E	F	GA	d				
160Ma-2	254	210	108	160	14.5	250	300	350	18.5	5	42k6	110	12h9	45	M16	471	315	660	