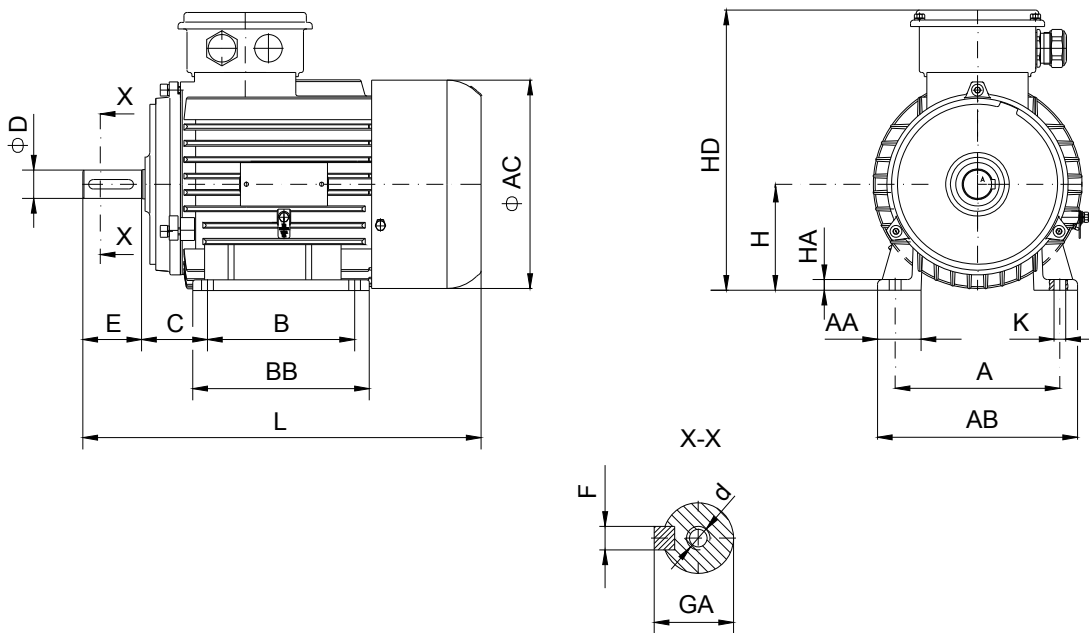


DATA SHEET

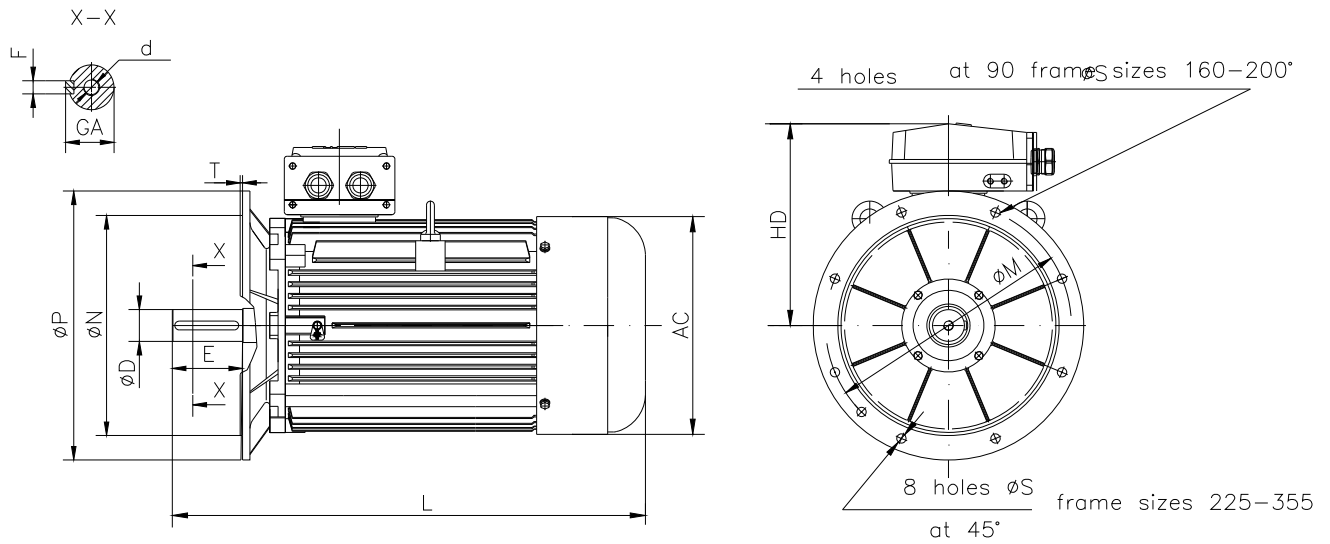
- Type.....E2-ASNA 160M-4
- Reference standard.....IEC 60034-1; 60034-30
60079-0;
60079-15
- Rated output..... 11 kW
- Rated stator voltage.....400V
- Stator current at 100% load19.2 [A]
- Number of poles.....4
- Rated speed.....1461 rev/min
- Rated frequency.....50Hz
- Efficiency at 100%, 75%, 50% load.....90.9%, 90.2%, 87.7%
- Power factor at 100% load.....0.91
- Break-down torque.....2.7 x Mn
- Locked rotor torque.....2.1 x Mn
- Locked rotor current.....7.9 x In
- Rotor inertia.....0.09483 kgm²
- Insulation class.....F
- Direction of rotation.....Both(CW&CCW)
- Protection degree.....≥IP55
- Mounting.....IM
- Cooling method.....IC 411
- Max. ambient temperature+ 40°C
- Altitude.....1000m
- Bearing type.....6310 2Z drive end
6310 2Z non drive end
- Weight.....120Kg
- Outline drawing.....Page 2
- Vibration level :.....A (acc.IEC 60034-14)
- Noise levelacc.IEC 60034-9
- Cable entries..... 2xM40x1.5
- Climate executionN

**The overall and mounting dimensions
IM 1001**



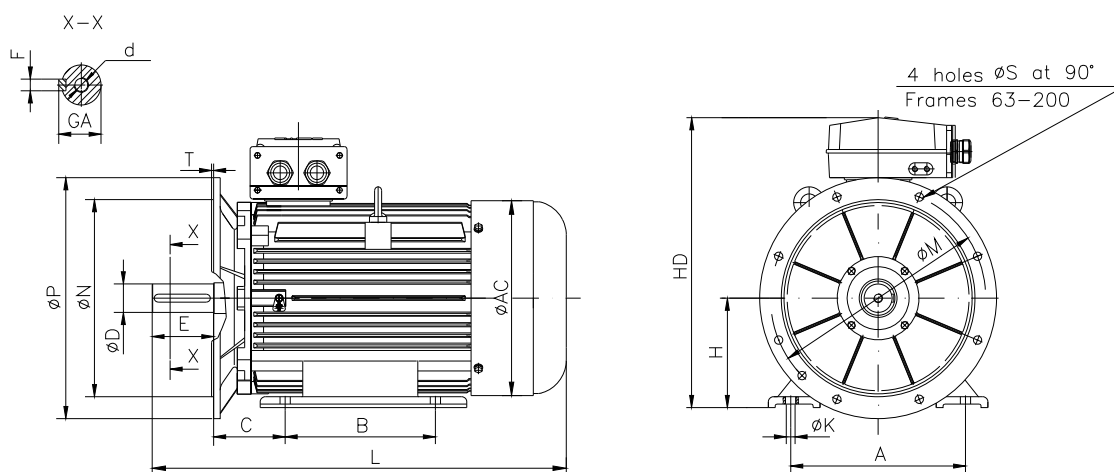
Frame size	Dimensions (mm)																
	Foot mounting									Shaft extension					HD max	AC	L max
A	B	C	H	K	AA	AB	BB	HA	D	E	F	GA	d				
160M-4	254	210	108	160	14.5	84	310	298	14	42k6	110	12h9	45	M16	471	315	660

**The overall and mounting dimensions
IM 3001; IM 3011**



Frame size	Dimensions (mm)												
	Flange mounting (B5)					Shaft extension						HD max	AC
N	M	P	S	T	D	E	F	GA	d				
160M-4	250j6	300	350	18.5	5	42k6	110	12h9	45	M16	311	315	660

**The overall and mounting dimensions
IMB35**



Frame size	Dimensions (mm)																		
	Foot mounting					Flange mounting					Shaft extension					HD max	AC	L max	
A	B	C	H _{0,5}	K	N	M	P	S	T	D	E	F	GA	d					
160M-4	254	210	108	160	14.5	250	300	350	18.5	5	42	61	110	12h9	45	M16	471	315	660