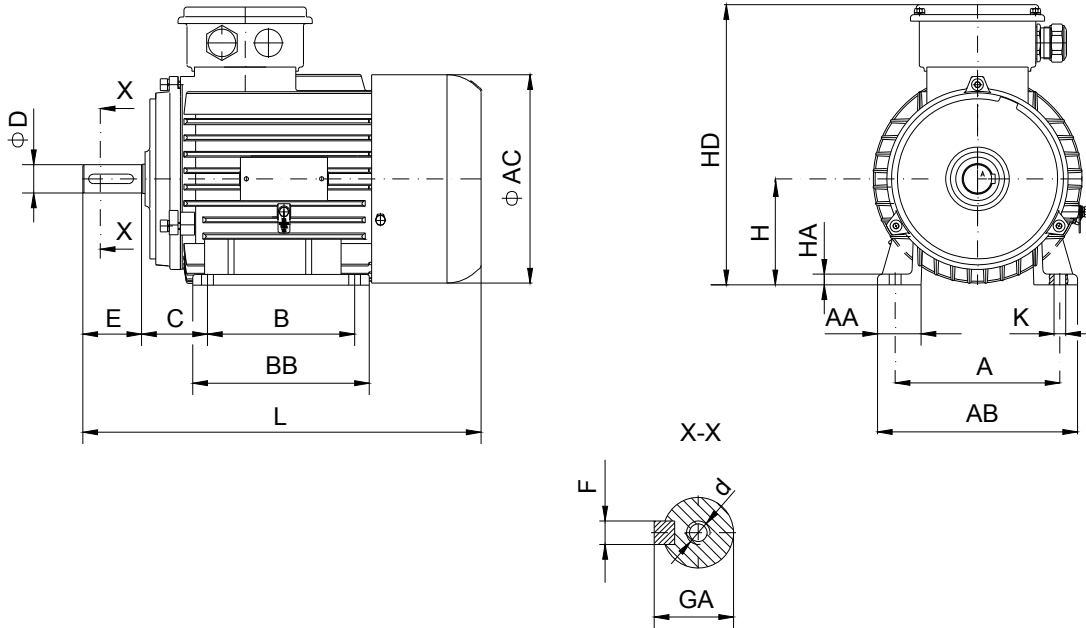


DATA SHEET

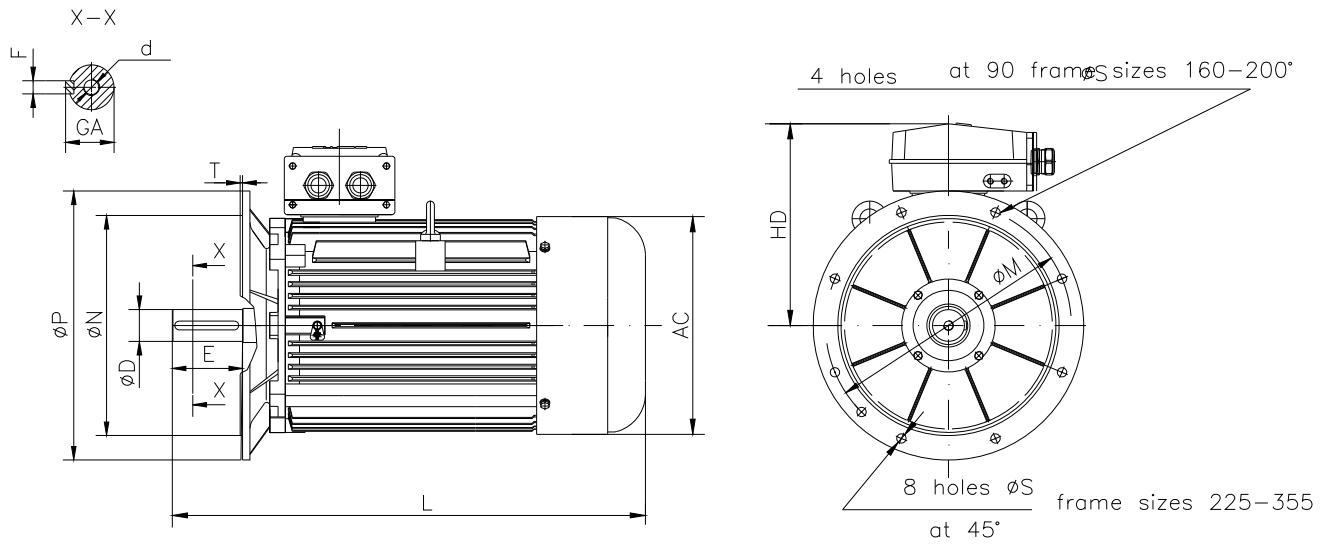
| | |
|--|---|
| ○ Type..... | E2-ASNA 160L-4 |
| ○ Reference standard..... | IEC 60034-1; 60034-30 60079-0; 60079-15 |
| ○ Rated output..... | 15 kW |
| ○ Rated stator voltage..... | 400V |
| ○ Stator current at 100% load | 26.2 [A] |
| ○ Number of poles..... | 4 |
| ○ Rated speed..... | 1452 rev/min |
| ○ Rated frequency..... | 50 Hz |
| ○ Efficiency at 100%, 75%, 50% load..... | 90.9%, 90.1%, 87.8% |
| ○ Power factor at 100% load..... | 0.91 |
| ○ Break-down torque..... | 2.8 x Mn |
| ○ Locked rotor torque..... | 2.0 x Mn |
| ○ Locked rotor current..... | 7.3 x In |
| ○ Rotor inertia..... | 0.10439 kgm ² |
| ○ Insulation class..... | F |
| ○ Direction of rotation..... | Both(CW&CCW) |
| ○ Protection degree..... | ≥IP55 |
| ○ Mounting..... | IM B3 |
| ○ Cooling method..... | IC 411 |
| ○ Max. ambient temperature | + 40°C |
| ○ Altitude..... | 1000m |
| ○ Bearing type..... | 6310 2Z drive end 6310 2Z non drive end |
| ○ Weight..... | 124Kg |
| ○ Outline drawing..... | Page 2 |
| ○ Vibration level : | A (acc.IEC 60034-14) |
| ○ Noise level | acc.IEC 60034-9 |
| ○ Cable entries..... | 2xM40x1.5 |
| ○ Climate execution | N |

**The overall and mounting dimensions
IM 1001 (IMB3)**



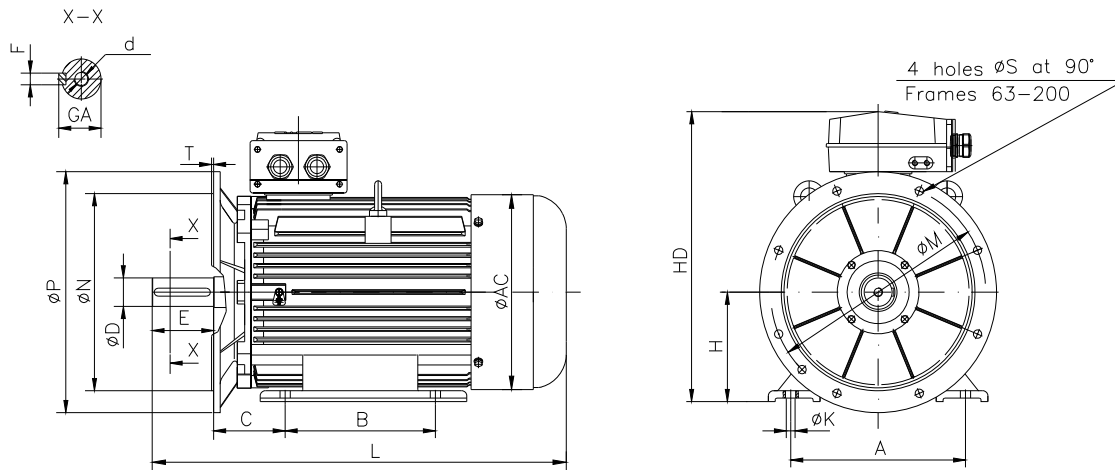
| Frame size | Dimensions (mm) | | | | | | | | | | | | | | | | |
|------------|-----------------|-----|-----|-----|------|----|-----|-----|-----------------|------|-----|------|----|--------|-----|-------|-----|
| | Foot mounting | | | | | | | | Shaft extension | | | | | HD max | AC | L max | |
| A | B | C | H | K | AA | AB | BB | HA | D | E | F | GA | d | | | | |
| 160L-4 | 254 | 254 | 108 | 160 | 14.5 | 84 | 310 | 298 | 14 | 42k6 | 110 | 12h9 | 45 | M16 | 471 | 315 | 660 |

**The overall and mounting dimensions
IM 3001; IM 3011**



| Frame size | Dimensions (mm) | | | | | | | | | | | HD max | AC | L max |
|------------|----------------------|-----|-----|------|---|-----------------|-----|------|----|-----|-----|--------|-----|-------|
| | Flange mounting (B5) | | | | | Shaft extension | | | | | | | | |
| | N | M | P | S | T | D | E | F | GA | d | | | | |
| 160L-4 | 250j6 | 300 | 350 | 18.5 | 5 | 42k6 | 110 | 12h9 | 45 | M16 | 311 | 315 | 660 | |

**The overall and mounting dimensions
IMB35**



| Frame size | Dimensions (mm) | | | | | | | | | | | | | | | | | | |
|------------|-----------------|-----|------------------|-----|------|-----------------|-----|-----|------|---|-----------------|----|-----|------|----|--------|-----|-------|-----|
| | Foot mounting | | | | | Flange mounting | | | | | Shaft extension | | | | | HD max | AC | L max | |
| A | B | C | H _{0,5} | K | N | M | P | S | T | D | E | F | GA | d | | | | | |
| 160L-4 | 254 | 254 | 108 | 160 | 14.5 | 250 | 300 | 350 | 18.5 | 5 | 42 | 61 | 110 | 12h9 | 45 | M16 | 471 | 315 | 660 |