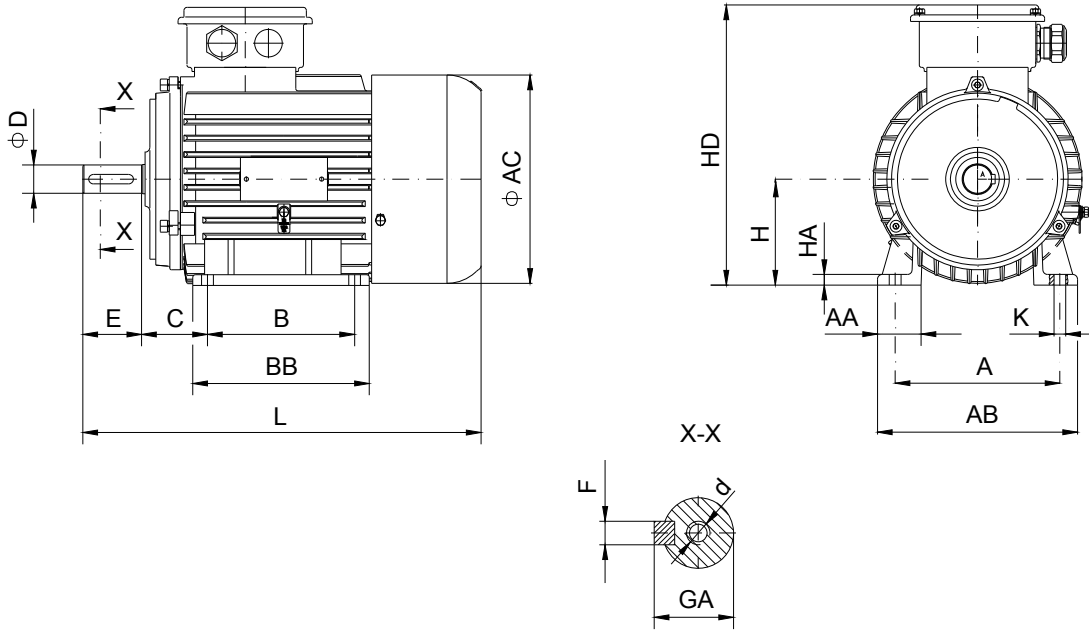


**DATA SHEET**

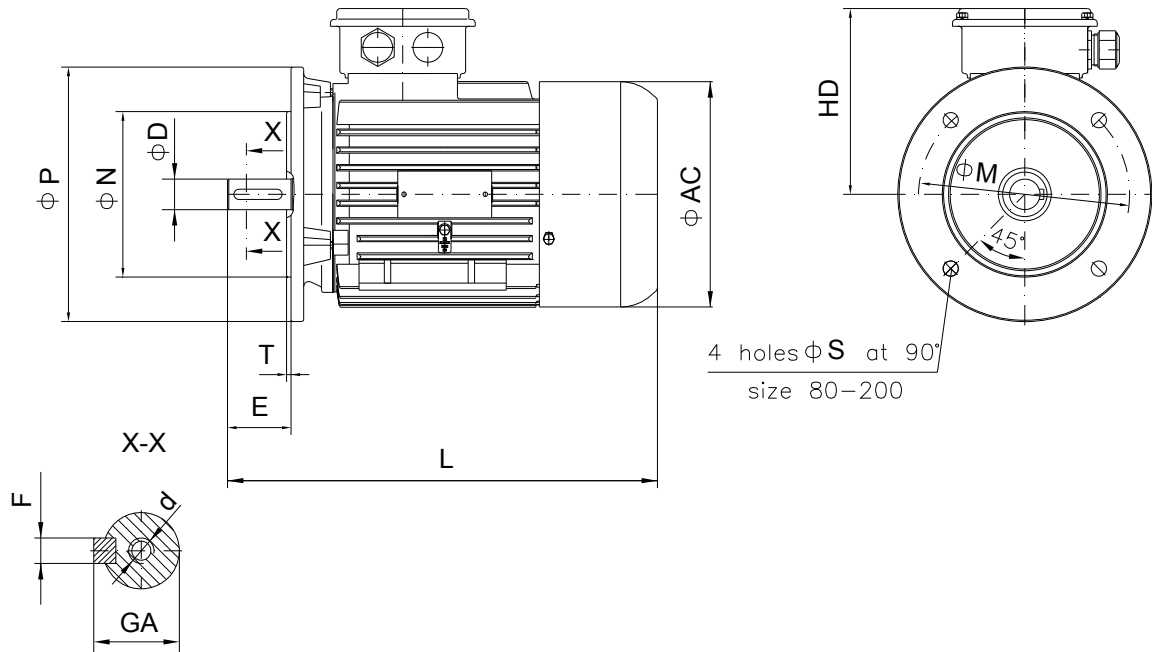
|  |   |
|--|---|
| ○ Type.....                              | E2-ASNA 132Sa-6                               |
| ○ Reference standard.....                | IEC 60034-1; 60034-30<br>60079-0;<br>60079-15 |
| ○ Rated output.....                      | 3 kW  |
| ○ Rated stator voltage.....              | 400V  |
| ○ Stator current at 100% load .....      | 6.69 [A]                                      |
| ○ Number of poles.....                   | 6   |
| ○ Rated speed.....                       | 962 rev/min                                   |
| ○ Rated frequency.....                   | 50 Hz   |
| ○ Efficiency at 100%, 75%, 50% load..... | 84.8%, 79.9%, 77.4%                           |
| ○ Power factor at 100% load.....         | 0.77  |
| ○ Break-down torque.....                 | 2.9 x Mn                                      |
| ○ Locked rotor torque.....               | 2.2 x Mn                                      |
| ○ Locked rotor current.....              | 6.5 x In                                      |
| ○ Rotor inertia.....                     | 0.04492 kgm <sup>2</sup>                      |
| ○ Insulation class.....                  | F   |
| ○ Direction of rotation.....             | Both(CW&CCW)                                  |
| ○ Protection degree.....                 | ≥IP55   |
| ○ Mounting.....                          | IM  |
| ○ Cooling method.....                    | IC 411  |
| ○ Max. ambient temperature .....         | + 40°C  |
| ○ Altitude.....                          | 1000m   |
| ○ Bearing type.....                      | 6308 2Z drive end<br>6308 2Z non drive end    |
| ○ Weight.....                            | 70Kg  |
| ○ Outline drawing.....                   | Page 2  |
| ○ Vibration level :.....                 | A (acc.IEC 60034-14 )                         |
| ○ Noise level .....                      | acc.IEC 60034-9                               |
| ○ Cable entries.....                     | 2xM32x1.5                                     |
| ○ Climate execution .....                | N   |

**The overall and mounting dimensions  
IM 1001**



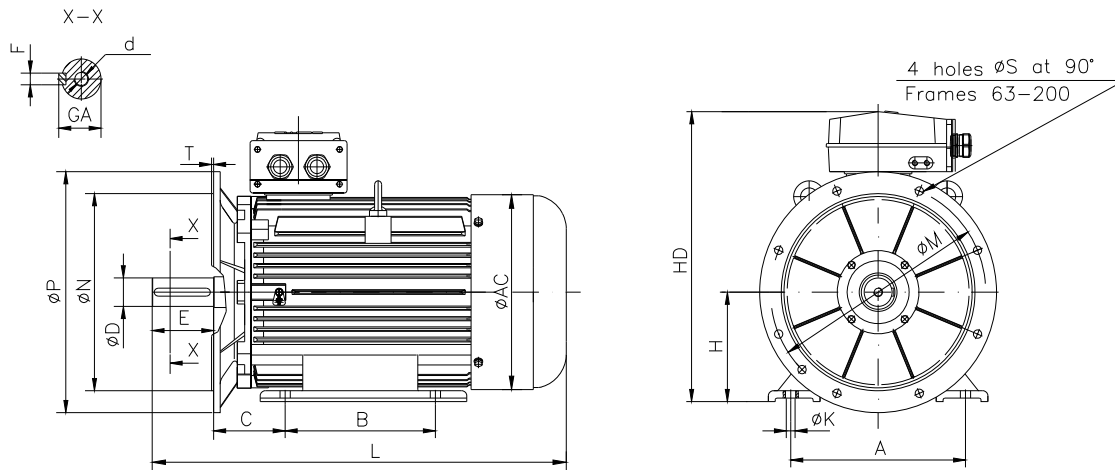
| Frame size  | Dimensions (mm) |     |    |     |    |    |     |     |                 |      |    |      |    |     |        |     |       |
|-------------|-----------------|-----|----|-----|----|----|-----|-----|-----------------|------|----|------|----|-----|--------|-----|-------|
|             | Foot mounting   |     |    |     |    |    |     |     | Shaft extension |      |    |      |    |     | HD max | AC  | L max |
| 132S<br>a-6 | A               | B   | C  | H   | K  | AA | AB  | BB  | HA              | D    | E  | F    | GA | d   |        |     |       |
|             | 216             | 140 | 89 | 132 | 12 | 68 | 264 | 220 | 14              | 38k6 | 80 | 10h9 | 41 | M12 | 400    | 263 | 606   |

**The overall and mounting dimensions  
IM 3001; IM 3011**



| Frame size  | Dimensions (mm)      |     |     |      |   |                 |    |      |    |     |     | HD max | AC  | L max |
|-------------|----------------------|-----|-----|------|---|-----------------|----|------|----|-----|-----|--------|-----|-------|
|             | Flange mounting (B5) |     |     |      |   | Shaft extension |    |      |    |     |     |        |     |       |
|             | N                    | M   | P   | S    | T | D               | E  | F    | GA | d   |     |        |     |       |
| 132S<br>a-6 | 230j6                | 265 | 300 | 14.5 | 4 | 38k6            | 80 | 10h9 | 41 | M12 | 268 | 263    | 606 |       |

**The overall and mounting dimensions  
IMB35**



| Frame size | Dimensions (mm) |     |                   |     |    |                 |     |     |      |   |                 |    |      |    |     |        |     |       |
|------------|-----------------|-----|-------------------|-----|----|-----------------|-----|-----|------|---|-----------------|----|------|----|-----|--------|-----|-------|
|            | Foot mounting   |     |                   |     |    | Flange mounting |     |     |      |   | Shaft extension |    |      |    |     | HD max | AC  | L max |
| A          | B               | C   | H <sub>-0,5</sub> | K   | N  | M               | P   | S   | T    | D | E               | F  | GA   | d  |     |        |     |       |
| 132Sa-6    | 216             | 140 | 89                | 132 | 12 | 230             | 265 | 300 | 14.5 | 4 | 38k6            | 80 | 10h9 | 41 | M12 | 400    | 263 | 606   |