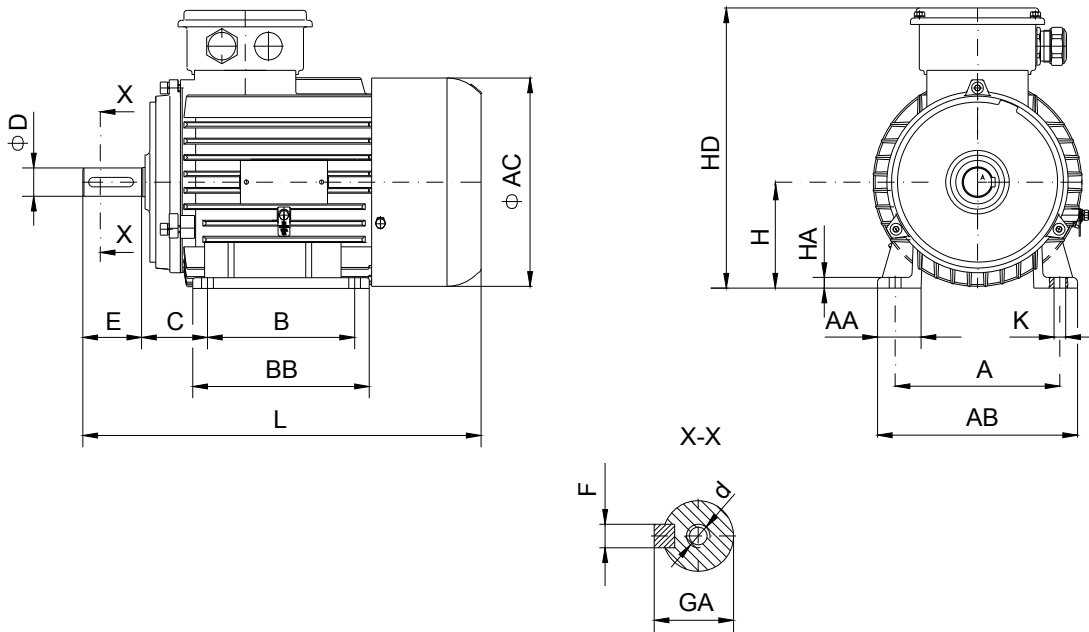


DATA SHEET

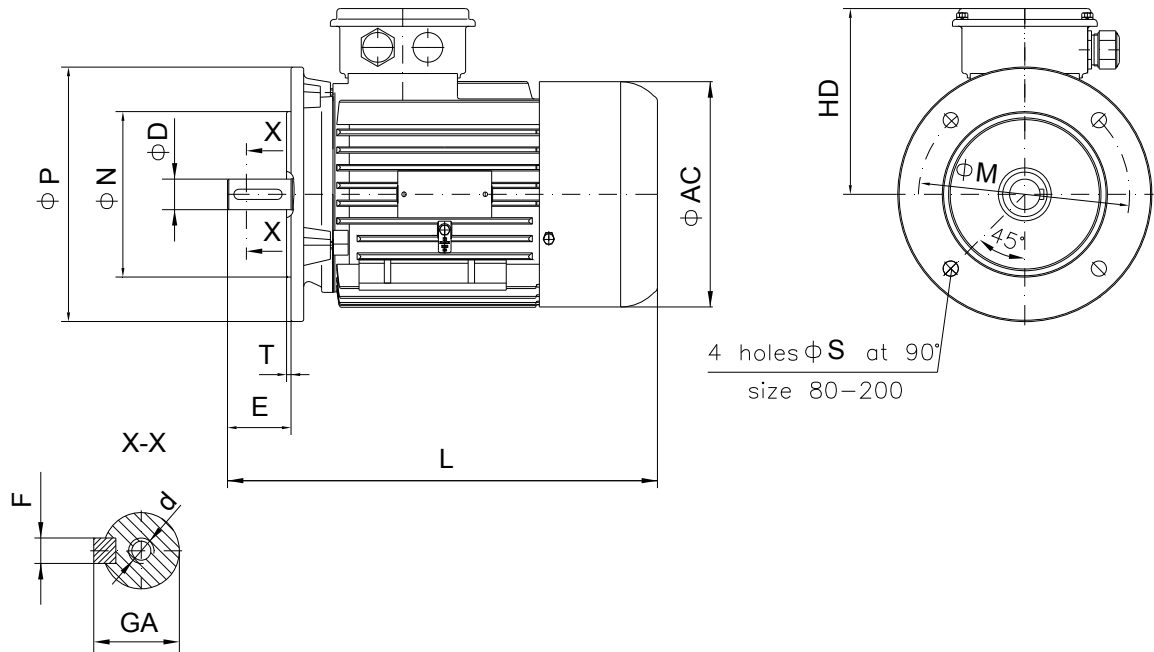
○ Type.....	E2-ASNA 132Ma-6
○ Reference standard.....	IEC 60034-1; 60034-30 60079-0; 60079-15
○ Rated output.....	4 kW
○ Rated stator voltage.....	400V
○ Stator current at 100% load	8.84 [A]
○ Number of poles.....	6
○ Rated speed.....	962 rev/min
○ Rated frequency.....	50 Hz
○ Efficiency at 100%, 75%, 50% load.....	84.6%, 84.4%, 80.4%
○ Power factor at 100% load.....	0.74
○ Break-down torque.....	2.6 x Mn
○ Locked rotor torque.....	2.3 x Mn
○ Locked rotor current.....	6.6 x In
○ Rotor inertia.....	0.05582 kgm ²
○ Insulation class.....	F
○ Direction of rotation.....	Both(CW&CCW)
○ Protection degree.....	≥IP55
○ Mounting.....	IM
○ Cooling method.....	IC 411
○ Max. ambient temperature	+ 40°C
○ Altitude.....	1000m
○ Bearing type.....	6308 2Z drive end 6308 2Z non drive end
○ Weight.....	76Kg
○ Outline drawing.....	Page 2
○ Vibration level :	A (acc.IEC 60034-14)
○ Noise level	acc.IEC 60034-9
○ Cable entries.....	2xM32x1.5
○ Climate execution	N

**The overall and mounting dimensions
IM 1001**



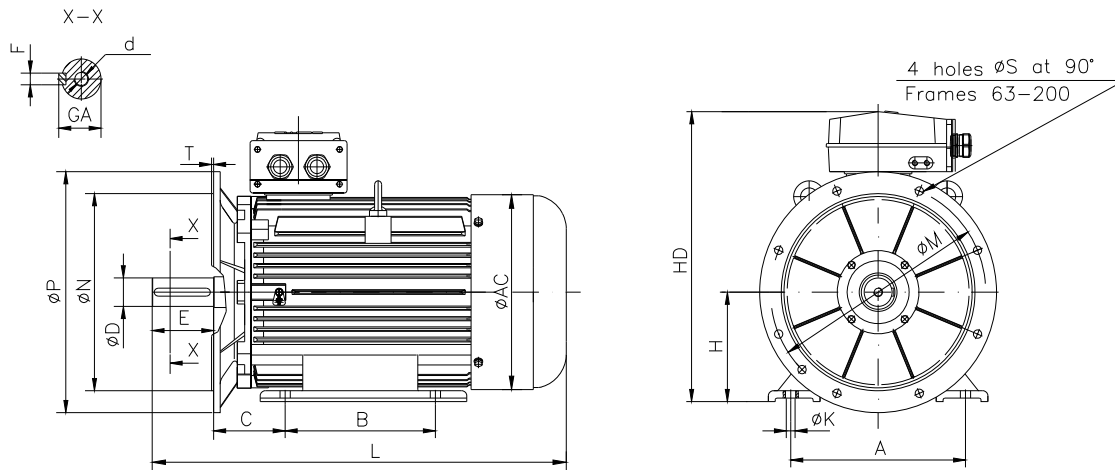
Frame size	Dimensions (mm)															HD max	AC	L max
	Foot mounting							Shaft extension										
132M a-6	A	B	C	H	K	AA	AB	BB	HA	D	E	F	GA	d				
	216	178	89	132	12	68	264	220	14	38k6	80	10h9	41	M12	400	263	653	

**The overall and mounting dimensions
IM 3001; IM 3011**



Frame size	Dimensions (mm)											HD max	AC	L max
	Flange mounting (B5)					Shaft extension								
	N	M	P	S	T	D	E	F	GA	d				
132M a-6	230j6	265	300	14.5	4	38k6	80	10h9	41	M12	268	263	653	

**The overall and mounting dimensions
IMB35**



Frame size	Dimensions (mm)																	
	Foot mounting					Flange mounting					Shaft extension					HD max	AC	L max
	A	B	C	H _{-0,5}	K	N	M	P	S	T	D	E	F	GA	d			
132Ma-6	216	178	89	132	12	230	265	300	14.5	4	38k6	80	10h9	41	M12	400	263	653